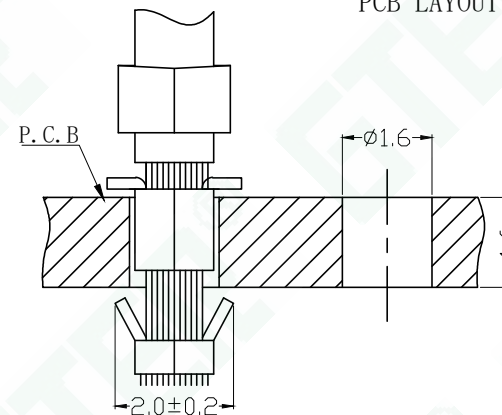


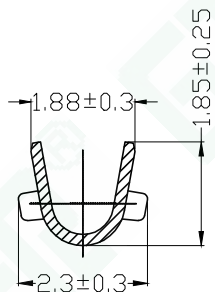
包装示意图(端子V型口向外顺时针绕盘)

PCB LAYOUT

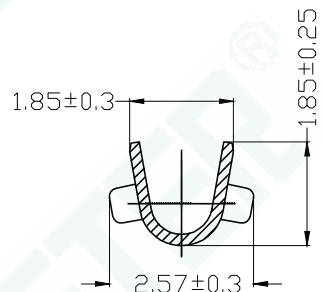


■ Main Specifications

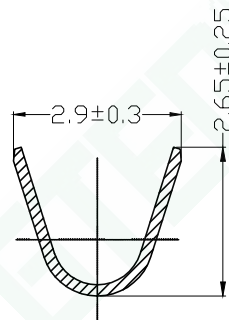
- 额定电流 (Current rating): 2.0A AC, DC
- 额定电压 (Voltage rating): 250V AC, DC
- 温度范围 (Temperature range): -25°C TO +105°C
- 接触电阻 (Contact resistance): ≤20MΩ
- 绝缘电阻 (Insulation resistance): ≥500MΩ
- 耐电压 (Withstand voltage): 800V AC/minute



SECTION C-C



SECTION B-B



SECTION A-A

规格表	Part No	Wire Range	Insulation O.D	Material	Finish	Qty/reel	Applicab P.C.B Specifications	Remark
	B1601TV-PTS	AWG#26~#22	1.95 (MAX)	Phosphor Bronze	Tin-plated	12,000	thickness: 1.6~1.8mm, Aperture: φ1.6mm.	

GTER® 东莞市高嘉精密电子有限公司
DONGGUAN GJ PRECISION ELECTRONICS Co.Ltd.

PART NO: GJ-B1601TV-PTS

1.6mm BOARD IN TERMINAL CONNECTOR, PLUG TERMINAL

APPROVED BY: APPROVED

CHECKED BY: CHECKED

DRAWN BY: yiliangdong

DATE: 2021-11-25

B1601端子 产品图

PROJ:

UNIT: mm

SCALE: --

SHEET: 1/1 A4

VER NO: AO

TOLERANCE

-1 ±0.10

1-5 ±0.15

5-15 ±0.20

15-30 ±0.25

30- ±0.30

(ANGLE) .X ±10°

LTR

标记1

标记2

标记3

标记4

CUSTOMER: ---

REVISION RECORD

修改内容1

修改内容2

修改内容3

修改内容4

NAME

姓名1

姓名2

姓名3

姓名4

DATE

日期1

日期2

日期3

日期4

Conforms to The RoHS&REACH Instruction