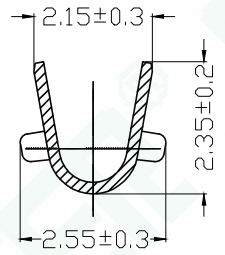
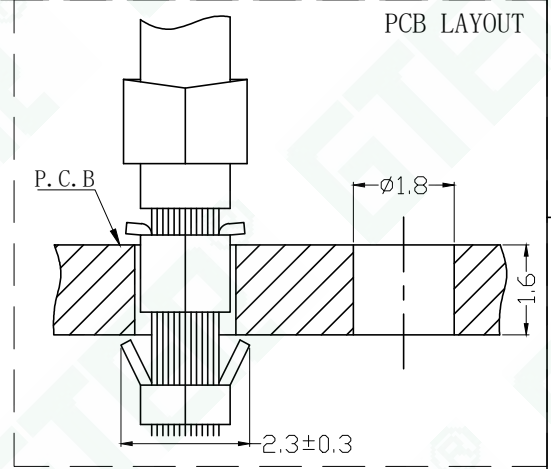
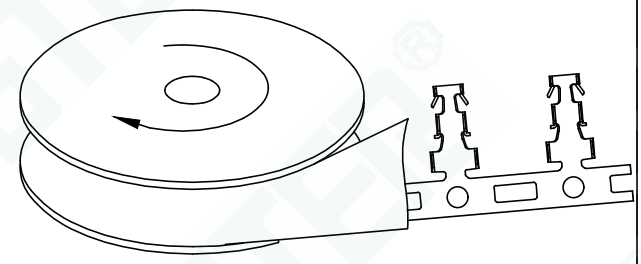
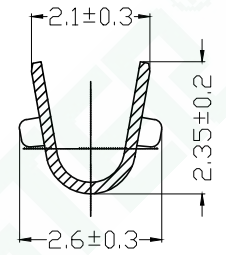


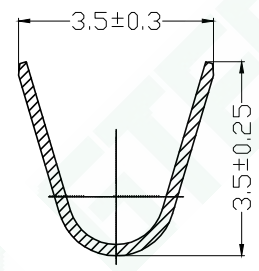
包装示意图(端子V型口向外顺时针绕盘)



SECTION C-C



SECTION B-B



SECTION A-A

■ Main Specifications

- 额定电流 (Current rating): 3.0A AC, DC
- 额定电压 (Voltage rating): 250V AC, DC
- 温度范围 (Temperature range): -25°C TO + 105°C
- 接触电阻 (Contact resistance): ≤ 20MΩ
- 绝缘电阻 (Insulation resistance): ≥ 500MΩ
- 耐电压 (Withstand voltage): 800V AC/minute

规格表	Part No	Wire Range	Insulation O.D	Material	Finish	Qty/reel	Applicab P.C.B Specifications	Remark
	B1801TV-PTS	AWG#22~#18	2.10 (MAX)	Phosphor Bronze	Tin-plated	8,000	thickness: 1.6~1.8mm, Aperture: 1.8mm.	

GTER® 东莞市高嘉精密电子有限公司
DONGGUAN GJ PRECISION ELECTRONICS Co.Ltd.

PART NO: GJ-B1801TV-PTS

1.8mm BOARD IN TERMINAL CONNECTOR, PLUG TERMINAL

APPROVED BY: APPROVED
CHECKED BY: CHECKED
DRAWN BY: yiliangdong
DATE: 2021-11-25
B1801端子 产品图

PROJ: UNIT: mm
SCALE: --
SHEET: 1/1 A4
VER NO: A0

TOLERANCE
-1 ±0.10
1-5 ±0.15
5-15 ±0.20
15-30 ±0.25
30- ±0.30
(ANGLE) .X ±10°

LTR
标记1 修改内容1
标记2 修改内容2
标记3 修改内容3
标记4 修改内容4
CUSTOMER: ---

REVISION RECORD
NAME DATE
姓名1 日期1
姓名2 日期2
姓名3 日期3
姓名4 日期4
Conforms to The RoHS&REACH Instruction