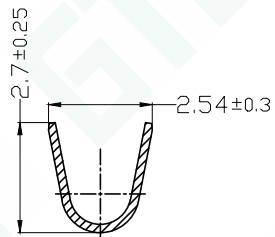
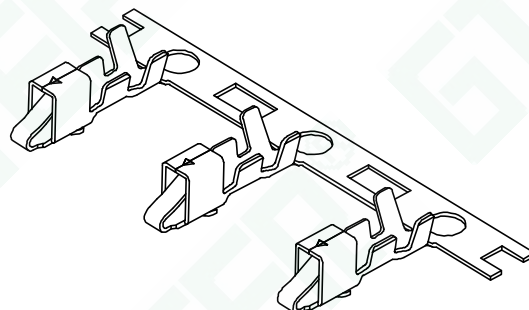
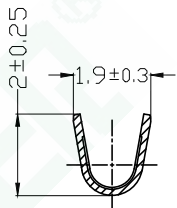


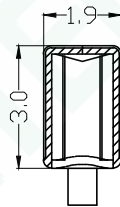
包装示意图 (端子V型口向外顺时针绕盘)



SECTION A-A



SECTION B-B



SECTION C-C



■ Main Specifications

- 额定电流 (Current rating): 3.0A AC, DC
- 额定电压 (Voltage rating): 250V AC, DC
- 温度范围 (Temperature range): -25°C TO + 85°C
- 接触电阻 (Contact resistance): ≤20MΩ
- 绝缘电阻 (Insulation resistance): ≥1000MΩ
- 耐电压 (Withstand voltage): 1000V AC/minute

规格表	Part No	Wire Range	Insulation O.D	Material	Finish	Qty/reel	Features (Used in)	Remark
	C2501TF-PTS	AWG#28~#22	1.90 (MAX)	Phosphor Bronze	Tin-plated	6,000	GJ-C2501 SOCKET HOUSIN SERIES	

GTER® 东莞市高嘉精密电子有限公司
DONGGUAN GJ PRECISION ELECTRONICS Co.Ltd.

PART NO: GJ-C2501TF-PTS

2.50mm WIRE TO WIRE CONNECTOR, PLUG TERMINAL

APPROVED BY: APPROVED

CHECKED BY: CHECKED

DRAWN BY: yiliangdong

DATE: 2021-11-26

C2501母端子 产品图

PROJ:

UNIT: mm

SCALE: --

SHEET: 1/1 A4

VER NO: A0

TOLERANCE

-1 ±0.10

1-5 ±0.15

5-15 ±0.20

15-30 ±0.25

30- ±0.30

(ANGLE) .X ±10°

LTR

标记1

标记2

标记3

标记4

CUSTOMER: ---

REVISION RECORD

修改内容1

修改内容2

修改内容3

修改内容4

NAME

姓名1

姓名2

姓名3

姓名4

DATE

日期1

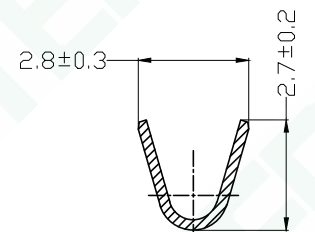
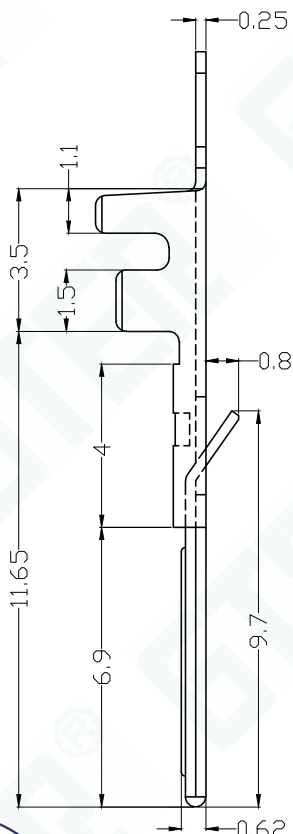
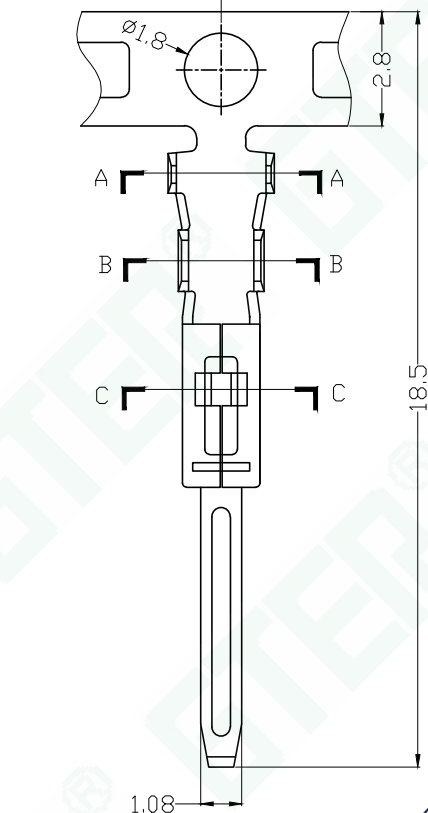
日期2

日期3

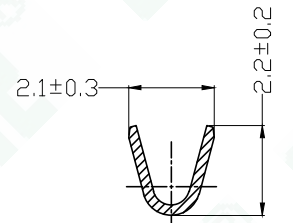
日期4

Conforms to The RoHS&REACH Instruction

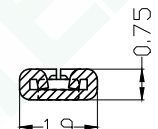
PITCH=7



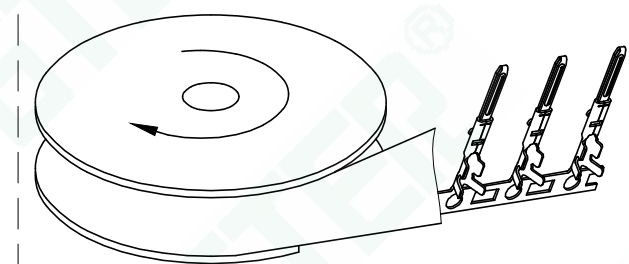
SECTION A-A



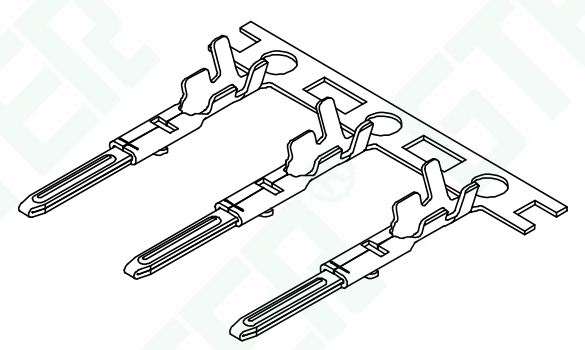
SECTION B-B



SECTION C-C



包装示意图(端子V型口向外顺时针绕盘)

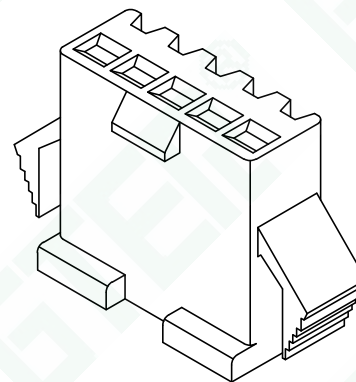
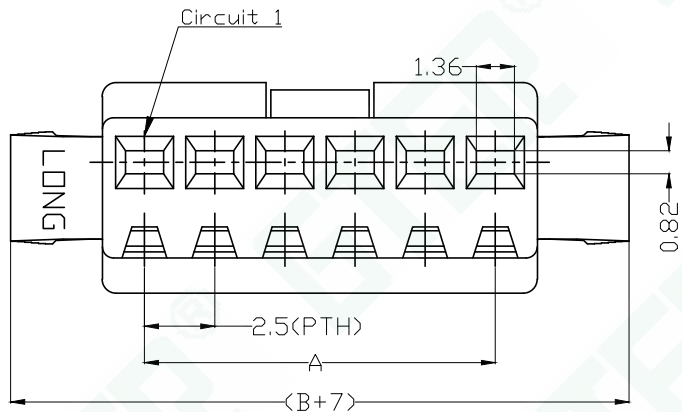


■ Main Specifications

- 额定电流 (Current rating): 3.0A AC, DC
- 额定电压 (Voltage rating): 250V AC, DC
- 温度范围 (Temperature range): -25°C TO +85°C
- 接触电阻 (Contact resistance): ≤20MΩ
- 绝缘电阻 (Insulation resistance): ≥1000MΩ
- 耐电压 (Withstand voltage): 1000V AC/minute

规格表	Part No	Wire Range	Insulation O.D	Material	Finish	Qty/reel	Features (Used in)	Remark
	C2501TM-PTS	AWG#28~#22	1.90 (MAX)	Phosphor Bronze	Tin-plated	9,000	GJ-C2501 PLUG HOUSIN SERIES	

GTER ® 东莞市高嘉精密电子有限公司 DONGGUAN GJ PRECISION ELECTRONICS Co.Ltd. PART NO: GJ-C2501TM-PTS 2.50mm WIRE TO WIRE CONNECTOR, PLUG TERMINAL	APPROVED BY: APPROVED	PROJ:	TOLERANCE	LTR	REVISION RECORD		NAME	DATE
	CHECKED BY: CHECKED	UNIT: mm	-1 ±0.10	标记1	修改内容1	姓名1	日期1	
	DRAWN BY: yiliangdong	SCALE: --	1-5 ±0.15	标记2	修改内容2	姓名2	日期2	
	DATE: 2021-11-26	SHEET: 1/1 A4	5-15 ±0.20	标记3	修改内容3	姓名3	日期3	
	C2501公端子 产品图	VER NO: AO	15-30 ±0.25	标记4	修改内容4	姓名4	日期4	
		30- ±0.30	CUSTOMER: ---		Conforms to The RoHS&REACH Instruction			
		(ANGLE) .X ±10°						



■ Main Specifications

- . 接触电阻 (Contact resistance): $\leq 20m\Omega$
- . 绝缘电阻 (Insulation resistance): $\geq 1000M\Omega$
- . 额定电压 (Rated voltage): 250V AC DC
- . 额定电流 (Rated current): 3.0A AC DC
- . 耐电压 (Withstand Voltage): 1000V AC/minute
- . 温度范围 (Temperature Range): $-25^{\circ}C \sim +85^{\circ}C$

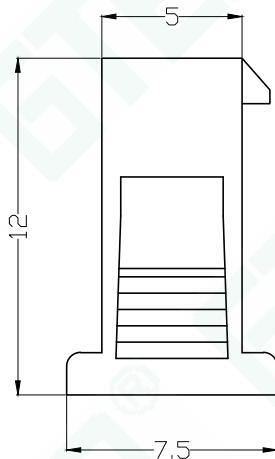
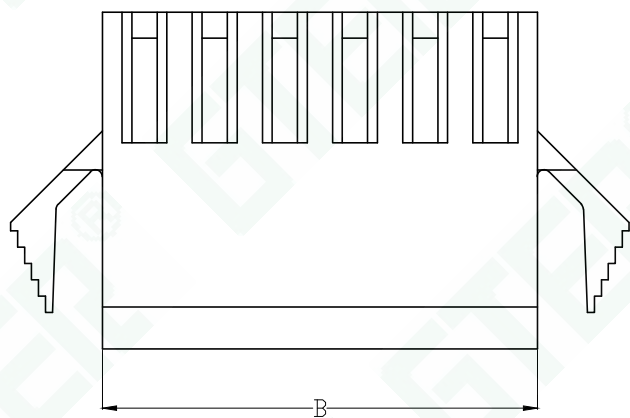
■ 产品编码简介: GJ-C2501HF-**-AON
① ② ③ ④

1. 系列号;
2. 母胶壳;
3. Pin位数;
4. Nylon66 UL94V-0 (本色)

■ 适配 GJ-C2501 SOCKET TERMINAL.

■ 适配 GJ-C2501 PLUG HOUSING SERIES.

■ 适用基板厚度 $T=1.6 \sim 1.8mm$.



Poles	Dimensions(mm)		Q'ty/ bag
	A	B	
2P	2.50	5.50	1,000
3P	5.00	8.00	1,000
4P	7.50	10.50	1,000
5P	10.00	13.00	1,000
6P	12.50	15.50	1,000
7P	15.00	18.00	1,000
8P	17.50	20.50	1,000
9P	20.00	23.00	1,000
10P	22.50	25.50	1,000
11P	25.00	28.00	1,000
12P	27.50	30.50	1,000

GTER® 东莞市高嘉精密电子有限公司
DONGGUAN GJ PRECISION ELECTRONICS Co.Ltd.

PART NO: GJ-C2501HF-**-AON

2.50mm WIRE TO WIRE CONNECTOR, SOCKET HOUSING

APPROVED BY: APPROVED

CHECKED BY: CHECKED

DRAWN BY: yiliangdong

DATE: 2021-11-26

A2501母胶壳 产品图

PROJ:

UNIT: mm

SHEET: 1/1 A4

VER NO: AO

TOLERANCE

-1 ±0.10

1-5 ±0.15

5-15 ±0.20

15-30 ±0.25

30- ±0.30

(ANGLE) .X ±10°

LTR

标记1

标记2

标记3

标记4

CUSTOMER: ---

REVISION RECORD

修改内容1

修改内容2

修改内容3

修改内容4

NAME

姓名1

姓名2

姓名3

姓名4

DATE

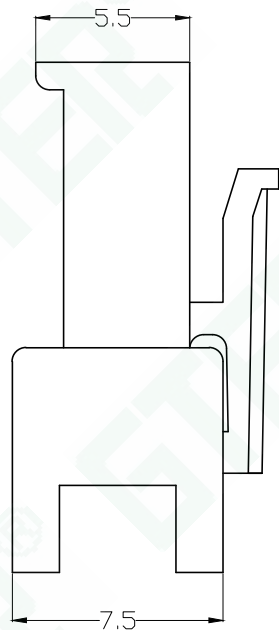
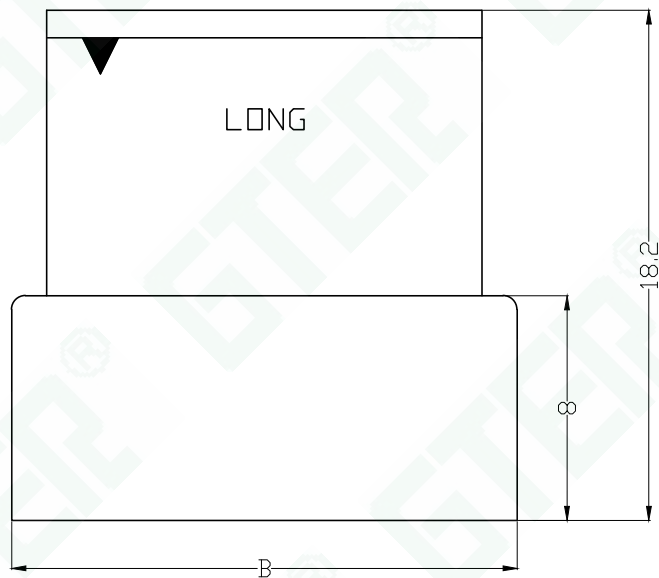
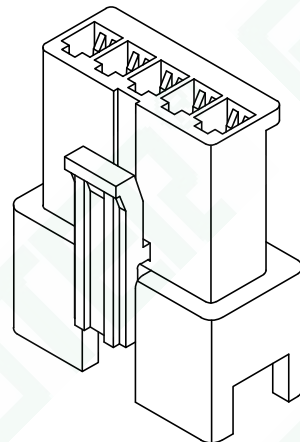
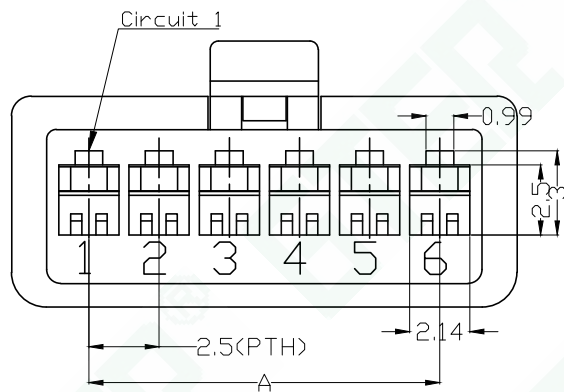
日期1

日期2

日期3

日期4

Conforms to The RoHS&REACH Instruction



■ Main Specifications

- 接触电阻 (Contact resistance): $\leq 20m\Omega$
- 绝缘电阻 (Insulation resistance): $\geq 1000M\Omega$
- 额定电压 (Rated voltage): 250V AC DC
- 额定电流 (Rated current): 3.0A AC DC
- 耐电压 (Withstand Voltage): 1000V AC/minute
- 温度范围 (Temperature Range): $-25^{\circ}C \sim +85^{\circ}C$

■ 产品编码简介: GJ-C2501HM-**-AON

1. 系列号;
2. 公胶壳;
3. Pin位数;
4. Nylon66 UL94V-0 (本色)

- 适配 GJ-C2501 PLUG TERMINAL.
- 适配 GJ-C2501 SOCKET HOUSING SERIES.

Poles	Dimensions(mm)		Q'ty/ bag
	A	B	
2P	2.50	8.00	1,000
3P	5.00	10.50	1,000
4P	7.50	13.00	1,000
5P	10.00	15.50	1,000
6P	12.50	18.00	1,000
7P	15.00	20.50	1,000
8P	17.50	23.00	1,000
9P	20.00	25.50	1,000
10P	22.50	28.00	1,000
11P	25.00	30.50	1,000
12P	27.50	33.00	1,000

GTER® 东莞市高嘉精密电子有限公司
DONGGUAN GJ PRECISION ELECTRONICS Co.Ltd.

PART NO: GJ-C2501HM-**-AON

2.50mm WIRE TO WIRE CONNECTOR, PLUG HOUSING

APPROVED BY: APPROVED
CHECKED BY: CHECKED
DRAWN BY: yiliangdong
DATE: 2021-11-26
A2501公胶壳 产品图

PROJ:
UNIT: mm
SCALE: --
SHEET: 1/1 A4
VER NO: AO

TOLERANCE
-1 ±0.10
1-5 ±0.15
5-15 ±0.20
15-30 ±0.25
30- ±0.30
(ANGLE) .X ±10°

LTR
标记1
标记2
标记3
标记4
CUSTOMER: ---

REVISION RECORD
修改内容1
修改内容2
修改内容3
修改内容4

NAME
DATE
姓名1 日期1
姓名2 日期2
姓名3 日期3
姓名4 日期4

Conforms to The RoHS&REACH Instruction