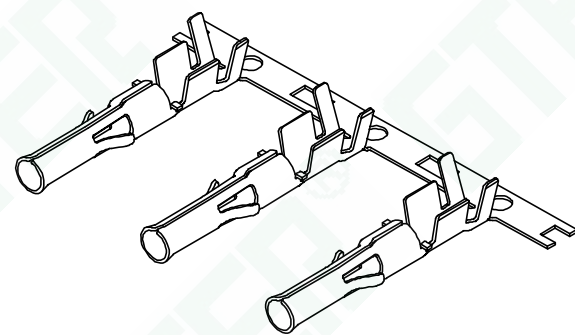


包装示意图(端子V型口向外顺时针绕盘)

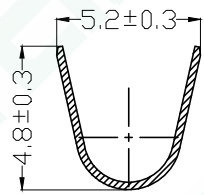
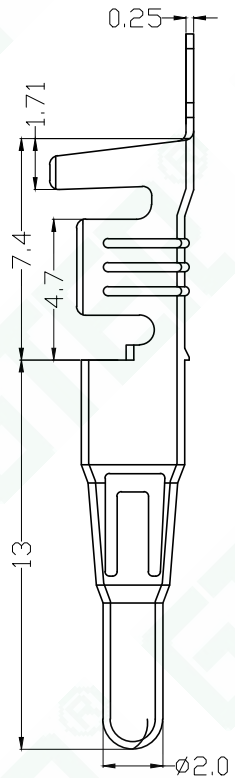
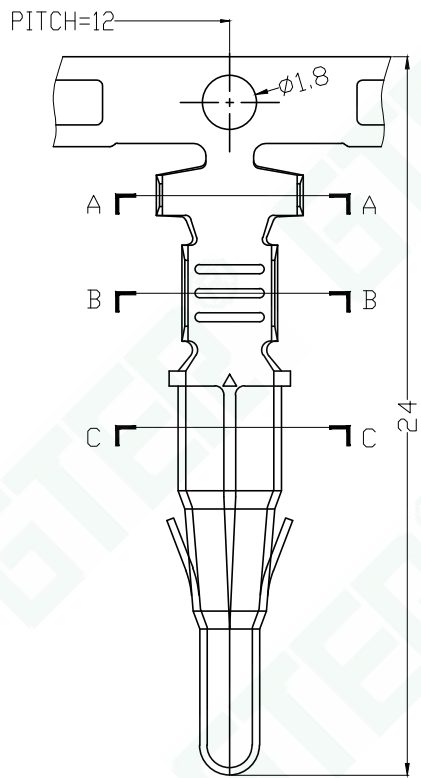


■ Main Specifications

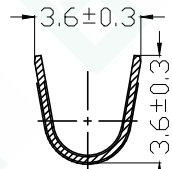
- 额定电流 (Current rating): 13.0A AC, DC
- 额定电压 (Voltage rating): 300V AC, DC
- 温度范围 (Temperature range): -25°C TO +85°C
- 接触电阻 (Contact resistance): $\leq 20M\Omega$
- 绝缘电阻 (Insulation resistance): $\geq 1000M\Omega$
- 耐电压 (Withstand voltage): 1500V AC/minute

规格表	Part No	Wire Range	Insulation O.D	Material	Finish	Qty/reel	Features (Used in)	Remark
	C6201TF-PTS	AWG#26~#20	2.60 (MAX)	Phosphor Bronze	Tin-plated	4,000	GJ-C6201 SOCKET HOUSIN SERIES	

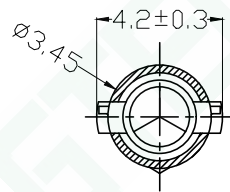
GTER ® 东莞市高嘉精密电子有限公司 DONGGUAN GJ PRECISION ELECTRONICS Co.Ltd. PART NO: GJ-C6201TF-PTS 6.20mm WIRE TO WIRE CONNECTOR, SOCKET TERMINAL	APPROVED BY: APPROVED	PROJ:	TOLERANCE	LTR	REVISION RECORD		NAME	DATE
	CHECKED BY: CHECKED	UNIT: mm	-1 ±0.10	标记1	修改内容1	姓名1	日期1	
	DRAWN BY: yiliangdong	SCALE: --	1-5 ±0.15	标记2	修改内容2	姓名2	日期2	
	DATE: 2021-11-25	SHEET: 1/1 A4	5-15 ±0.20	标记3	修改内容3	姓名3	日期3	
	C6201母端子 产品图	VER NO: A0	15-30 ±0.25	标记4	修改内容4	姓名4	日期4	
		30- ±0.30	CUSTOMER: ---		Conforms to The RoHS&REACH Instruction			
		(ANGLE) .X ±10°						



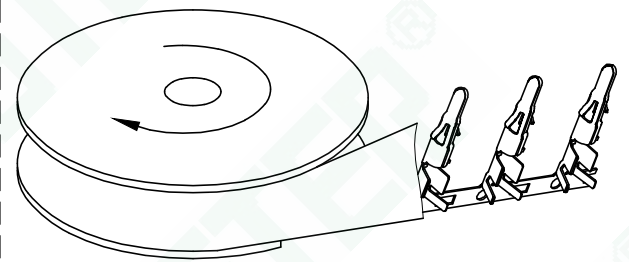
SECTION A-A



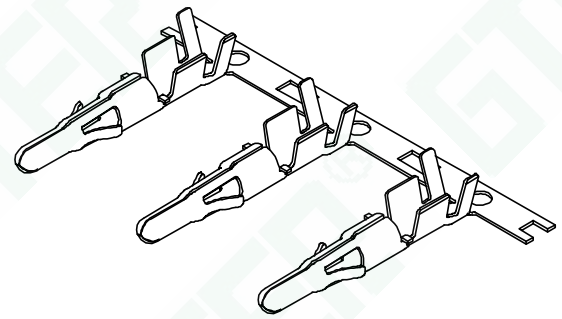
SECTION B-B



SECTION C-C



包装示意图(端子V型口向外顺时针绕盘)



■ Main Specifications

- 额定电流 (Current rating): 13.0A AC, DC
- 额定电压 (Voltage rating): 300V AC, DC
- 温度范围 (Temperature range): -25°C TO +85°C
- 接触电阻 (Contact resistance): $\leq 20M\Omega$
- 绝缘电阻 (Insulation resistance): $\geq 1000M\Omega$
- 耐电压 (Withstand voltage): 1500V AC/minute



规格表	Part No	Wire Range	Insulation O.D	Material	Finish	Qty/reel	Features (Used in)	Remark
	C6201TM-PTS	AWG#26~#20	2.60 (MAX)	Phosphor Bronze	Tin-plated	4,000	GJ-C6201 PLUG HOUSIN SERIES	

GTER® 东莞市高嘉精密电子有限公司
DONGGUAN GJ PRECISION ELECTRONICS Co.Ltd.

PART NO: GJ-C6201TM-PTS

6.20mm WIRE TO WIRE CONNECTOR, PLUG TERMINAL

APPROVED BY: APPROVED
CHECKED BY: CHECKED
DRAWN BY: yiliangdong
DATE: 2021-11-25
C6201公端子 产品图

PROJ: UNIT: mm
SCALE: --
SHEET: 1/1 A4
VER NO: A0

TOLERANCE
-1 ±0.10
1-5 ±0.15
5-15 ±0.20
15-30 ±0.25
30- ±0.30
(ANGLE) .X ±10°

LTR
标记1 修改内容1
标记2 修改内容2
标记3 修改内容3
标记4 修改内容4
CUSTOMER: ---

REVISION RECORD
NAME DATE
姓名1 日期1
姓名2 日期2
姓名3 日期3
姓名4 日期4
Conforms to The RoHS&REACH Instruction

A

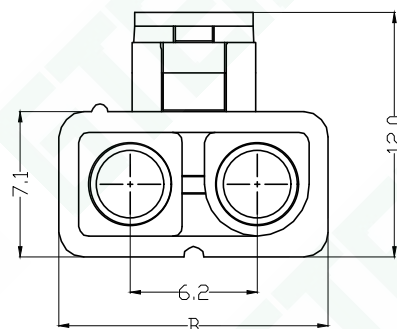
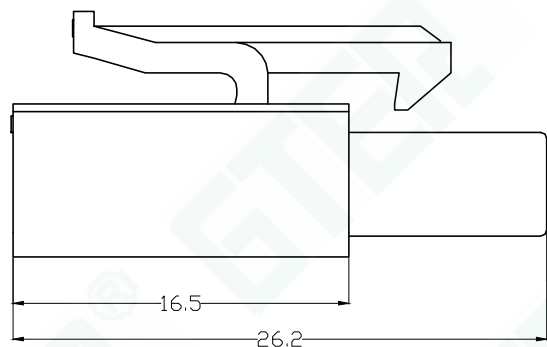
B

C

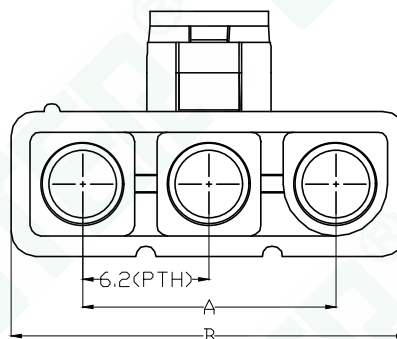
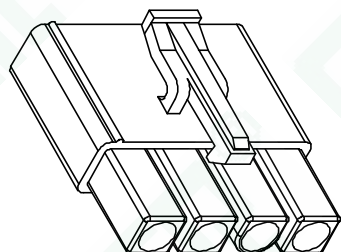
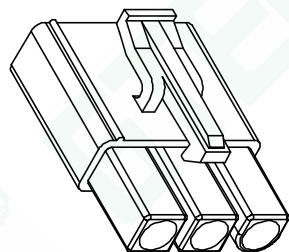
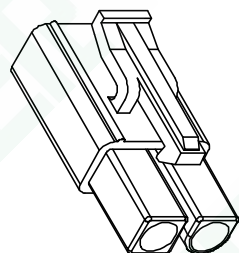
D

E

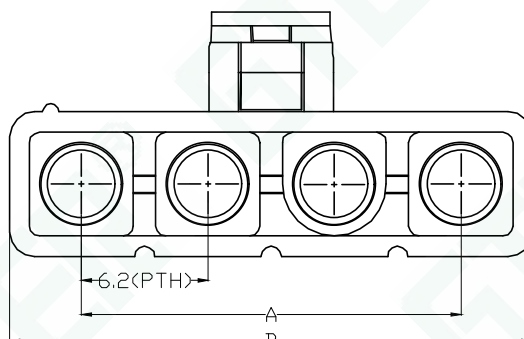
F



2 Circuit



3 Circuit



4 Circuit

■ Main Specifications

- 接触电阻 (Contact resistance): $\leq 20\text{m}\Omega$
- 绝缘电阻 (Insulation resistance): $\geq 1000\text{M}\Omega$
- 额定电压 (Rated voltage): 300V AC DC
- 额定电流 (Rated current): 13.0A AC DC
- 耐电压 (Withstand Voltage): 1500V AC/minute
- 温度范围 (Temperature Range): $-25^{\circ}\text{C} \sim +85^{\circ}\text{C}$

■ 产品编码简介: GJ-C6201HF-**-AON

① ② ③ ④

1. 系列号;
2. 母胶壳;
3. Pin位数;
4. Nylon66 UL94V-0 (本色)

■ 适配 GJ-C6201 SOCKET TERMINAL.

■ 适配 GJ-C6201 PLUG HOUSING SERIES.



Poles	Dimensions(mm)		Q'ty/ bag
	A	B	
2P	6.20	13.20	1,000
3P	12.40	19.40	1,000
4P	18.60	25.60	1,000

GTER® 东莞市高嘉精密电子有限公司
DONGGUAN GJ PRECISION ELECTRONICS Co.Ltd.

PART NO: GJ-C6201HF-**-AON

6.20mm WIRE TO WIRE CONNECTOR, SOCKET HOUSING

APPROVED BY: APPROVED

CHECKED BY: CHECKED

DRAWN BY: yiliangdong

DATE: 2021-11-25

PROJ:

UNIT: mm

SCALE: --

SHEET: 1/1 A4

VER NO: A0

TOLERANCE

-1 ±0.10

1-5 ±0.15

5-15 ±0.20

15-30 ±0.25

30- ±0.30

(ANGLE) .X ±10°

LTR

标记1

标记2

标记3

标记4

REVISION RECORD

修改内容1

修改内容2

修改内容3

修改内容4

NAME

姓名1

姓名2

姓名3

姓名4

DATE

日期1

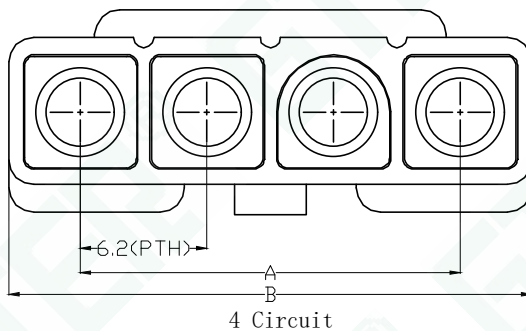
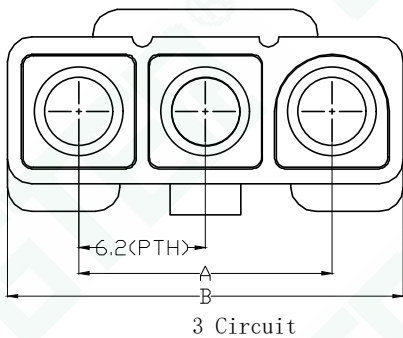
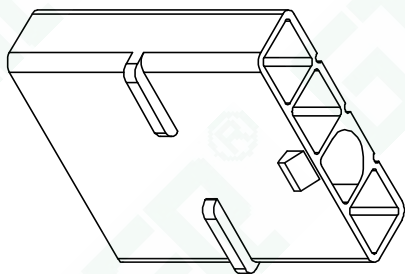
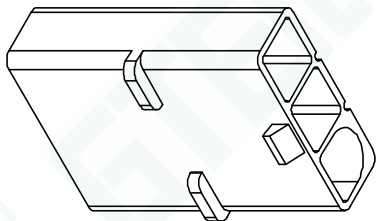
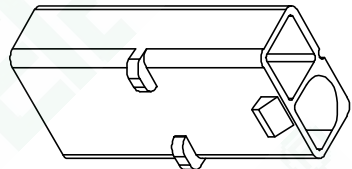
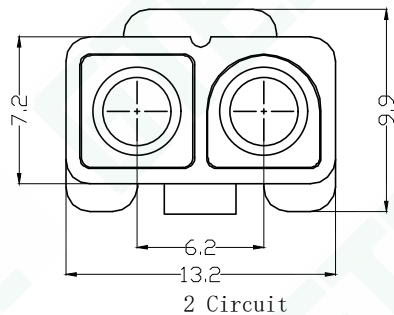
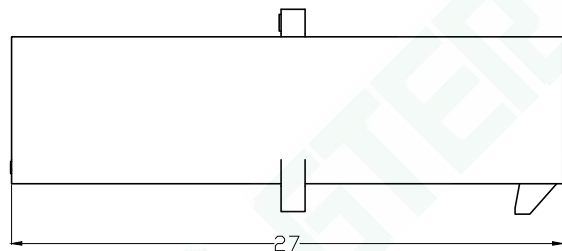
日期2

日期3

日期4

CUSTOMER: ---

Conforms to The RoHS&REACH Instruction



■ Main Specifications

- 接触电阻 (Contact resistance): $\leq 20m\Omega$
- 绝缘电阻 (Insulation resistance): $\geq 1000M\Omega$
- 额定电压 (Rated voltage): 300V AC DC
- 额定电流 (Rated current): 13.0A AC DC
- 耐电压 (Withstand Voltage): 1500V AC/minute
- 温度范围 (Temperature Range): $-25^{\circ}C \sim +85^{\circ}C$

■ 产品编码简介: GJ-C6201HM-**-A0N
① ② ③ ④

1. 系列号;
2. 公胶壳;
3. Pin位数;
4. Nylon66 UL94V-0 (本色)

- 适配 GJ-C6201 PLUG TERMINAL.
- 适配 GJ-C6201 SOCKET HOUSING SERIES.



Poles	Dimensions(mm)		Q'ty/ bag
	A	B	
2P	6.20	13.20	1,000
3P	12.40	19.40	1,000
4P	18.60	25.60	1,000

GTER® 东莞市高嘉精密电子有限公司
DONGGUAN GJ PRECISION ELECTRONICS Co.Ltd.

PART NO: GJ-C6201HM-**-A0N

6.20mm WIRE TO WIRE CONNECTOR, PLUG HOUSING

APPROVED BY: APPROVED

CHECKED BY: CHECKED

DRAWN BY: yiliangdong

DATE: 2021-11-25

PROJ:

UNIT: mm

SCALE: --

SHEET: 1/1 A4

VER NO: A0

TOLERANCE

-1 ±0.10

1-5 ±0.15

5-15 ±0.20

15-30 ±0.25

30- ±0.30

(ANGLE) .X ±10°

LTR

标记1

标记2

标记3

标记4

REVISION RECORD

修改内容1

修改内容2

修改内容3

修改内容4

NAME

姓名1

姓名2

姓名3

姓名4

DATE

日期1

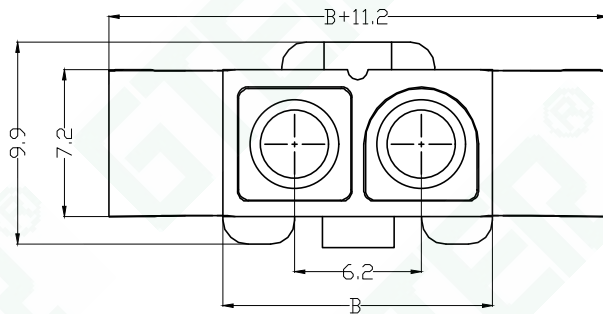
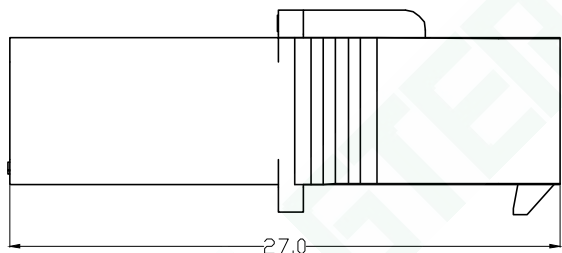
日期2

日期3

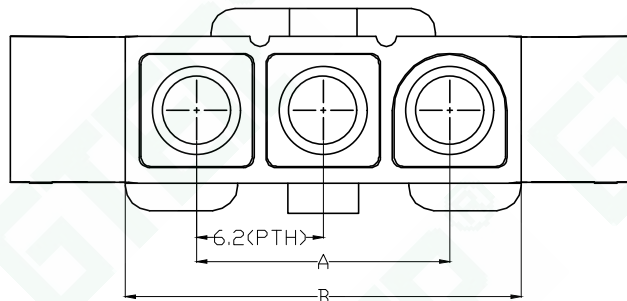
日期4

CUSTOMER: ---

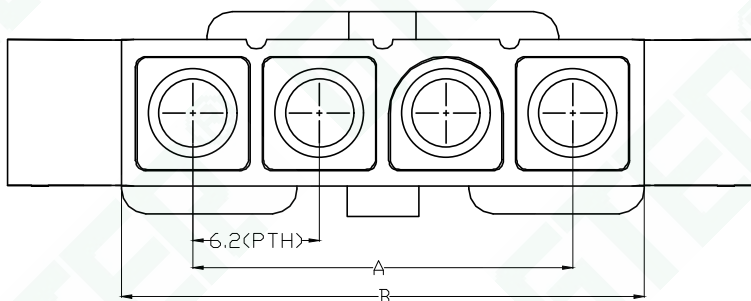
Conforms to The RoHS&REACH Instruction



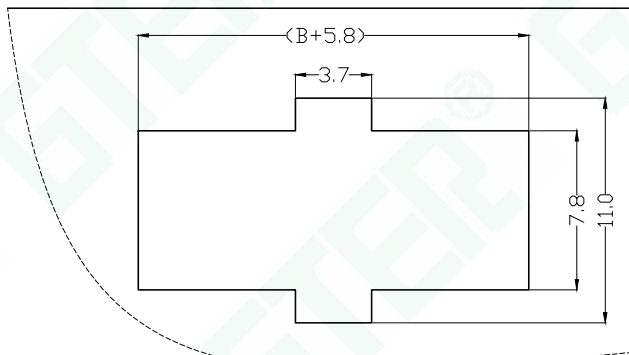
2 Circuit



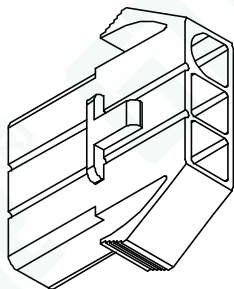
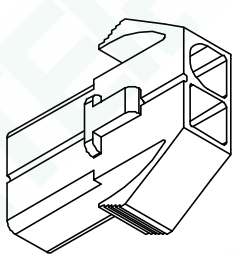
3 Circuit



4 Circuit



PCB LAYOUT



■ Main Specifications

- 接触电阻 (Contact resistance): $\leq 20m\Omega$
- 绝缘电阻 (Insulation resistance): $\geq 1000M\Omega$
- 额定电压 (Rated voltage): 300V AC DC
- 额定电流 (Rated current): 13.0A AC DC
- 耐电压 (Withstand Voltage): 1500V AC/minute
- 温度范围 (Temperature Range): $-25^{\circ}C \sim +85^{\circ}C$

■ 产品编码简: GJ-C6201HM-**-AON-WD

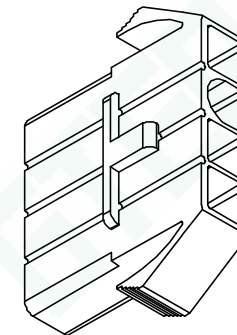
① ② ③ ④ ⑤

1. 系列号;
2. 公胶壳;
3. Pin位数;
4. Nylon66 UL94V-0 (本色)
5. 特征:WD-带翘扣, 选用时料号需备注。

■ 适配 GJ-C6201 PLUG TERMINAL.

■ 适配 GJ-C6201 SOCKET HOUSING SERIES.

■ 适用基板厚度 $T=1.6 \sim 2.0mm$.



Poles	Dimensions(mm)		Q'ty/ bag
	A	B	
2P	6.20	13.20	1,000
3P	12.40	19.40	1,000
4P	18.60	25.60	1,000

GTER® 东莞市高嘉精密电子有限公司
DONGGUAN GJ PRECISION ELECTRONICS Co.Ltd.

PART NO:GJ-C6201HM-**-AON-WD

6.20mm WIRE TO WIRE CONNECTOR, PLUG HOUSING

APPROVED BY: APPROVED

CHECKED BY: CHECKED

DRAWN BY: yiliangdong

DATE: 2021-11-25

PROJ:

UNIT: mm

SCALE: --

SHEET: 1/1 A4

VER NO: AO

TOLERANCE

-1 ±0.10

1-5 ±0.15

5-15 ±0.20

15-30 ±0.25

30- ±0.30

(ANGLE) .X ±10°

LTR

标记1

标记2

标记3

标记4

REVISION RECORD

修改内容1

修改内容2

修改内容3

修改内容4

NAME

姓名1

姓名2

姓名3

姓名4

DATE

日期1

日期2

日期3

日期4

CUSTOMER: ---

Conforms to The RoHS&REACH Instruction