

■ Main Specifications

- 接触电阻 (Contact resistance):  $\leq 20m\Omega$
- 绝缘电阻 (Insulation resistance):  $\geq 1000M\Omega$
- 额定电压 (Rated voltage): 250V AC DC
- 额定电流 (Rated current): 3.0A AC DC
- 耐电压 (Withstand Voltage): 500V AC/minute
- 温度范围 (Temperature Range):  $-25^{\circ}C \sim +105^{\circ}C$

■ 产品编码简介: GJ-A1502HF-\*\*-AON

1. 系列号;
2. 母胶壳;
3. Pin位数;
4. Nylon66 UL94V-0 (本色)

- 适配 GJ-A1502 WAFER SERIES.
- 适配 GJ-A1502 SOCKET TERMINAL.

Poles	Dimensions(mm)		Q'ty/ bag
	A	B	
2P	1.50	4.10	1,000
3P	3.00	5.60	1,000
4P	4.50	7.10	1,000
5P	6.00	8.60	1,000
6P	7.50	10.10	1,000
7P	9.00	11.60	1,000
8P	10.50	13.10	1,000
9P	12.00	14.60	1,000
10P	13.50	16.10	1,000
11P	15.00	17.60	1,000
12P	16.50	19.10	1,000
13P	18.00	20.60	1,000
14P	19.50	22.10	1,000
15P	21.00	23.60	1,000

**GTER**® 东莞市高嘉精密电子有限公司  
DONGGUAN GJ PRECISION ELECTRONICS Co.Ltd.

PART NO: GJ-A1502HF-\*\*-AON

1.50mm WIRE TO BOARD CONNECTOR, SOCKET HOUSING

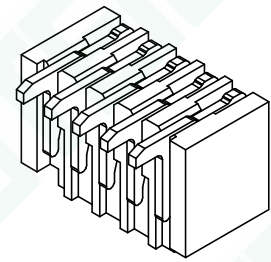
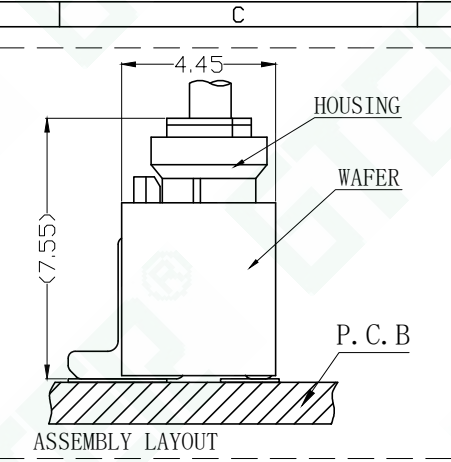
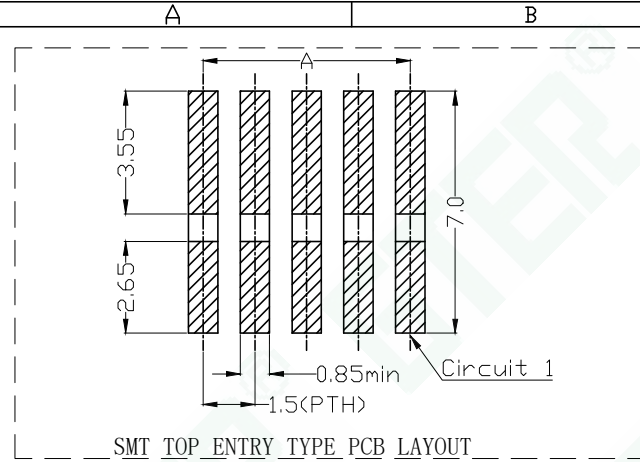
APPROVED BY: APPROVED  
CHECKED BY: CHECKED  
DRAWN BY: yiliangdong  
DATE: 2021-11-25  
A1502胶壳 产品图

PROJ: UNIT: mm  
SCALE: --  
SHEET: 1/1 A4  
VER NO: AO

TOLERANCE  
-1 ±0.10  
1-5 ±0.15  
5-15 ±0.20  
15-30 ±0.25  
30- ±0.30  
(ANGLE) .X ±10°

LTR  
标记1  
标记2  
标记3  
标记4  
CUSTOMER: ---

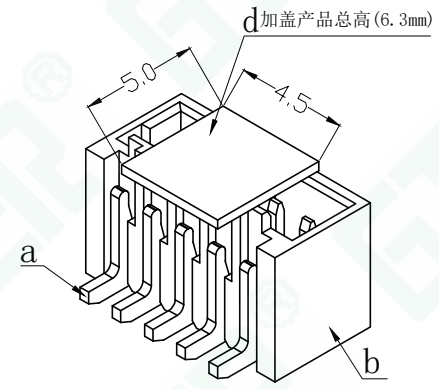
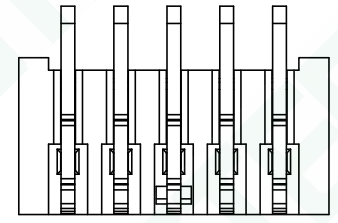
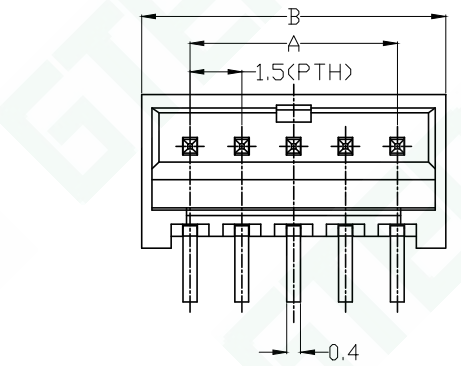
REVISION RECORD  
NAME  
DATE  
姓名1 日期1  
姓名2 日期2  
姓名3 日期3  
姓名4 日期4  
Conforms to The RoHS&REACH Instruction



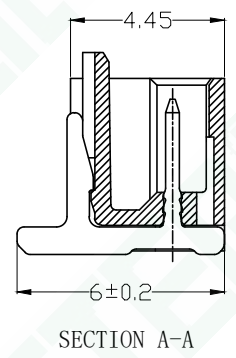
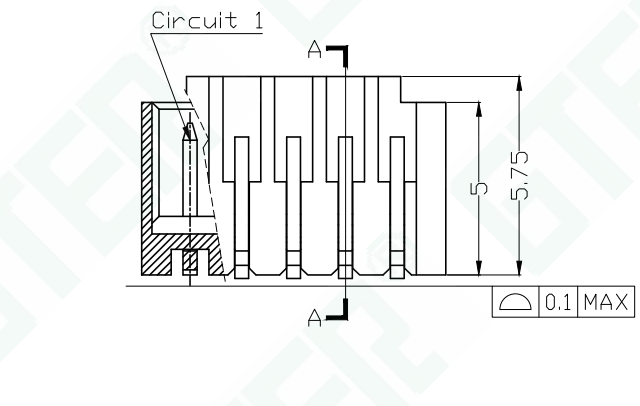
- Main Specifications
- 接触电阻 (Contact resistance):  $\leq 20m\Omega$
  - 绝缘电阻 (Insulation resistance):  $\geq 1000M\Omega$
  - 额定电压 (Rated voltage): 250V AC DC
  - 额定电流 (Rated current): 3.0A AC DC
  - 耐电压 (Withstand Voltage): 500V AC/minute
  - 温度范围 (Temperature Range):  $-25^{\circ}C \sim +105^{\circ}C$

■ 产品编码简介: GJ-A1502WVS-\*\*-FON  
① ② ③ ④

1. 系列号;
  2. 立式贴板针座;
  3. Pin位数;
  4. LCP UL94V-0 (本色)
- 适配 GJ-A1502 SOCKET HOUSING SERIES.



Poles	Dimensions(mm)		Q'ty/ reel
	A	B	
2P	1.50	4.30	1,000
3P	3.00	5.80	1,000
4P	4.50	7.30	1,000
5P	6.00	8.80	1,000
6P	7.50	10.30	1,000
7P	9.00	11.80	1,000
8P	10.50	13.30	1,000
9P	12.00	14.80	1,000
10P	13.50	16.30	1,000
11P	15.00	17.80	1,000
12P	16.50	19.30	1,000
13P	18.00	20.80	1,000
14P	19.50	22.30	1,000
15P	21.00	23.80	1,000



组成序号	名称	材质
a	0.4pin针	青铜镀高温亮锡
b	WAFER 主体	LCP(本色) UL94V-0
c	吸盖	LCP(本色) UL94V-0

**GTER**® 东莞市高嘉精密电子有限公司  
DONGGUAN GJ PRECISION ELECTRONICS Co.Ltd.  
PART NO: GJ-A1502WVS-\*\*-FON  
1.50mm WIRE TO BOARD CONNECTOR, WAFER(V-SMT TYPE)

APPROVED BY: APPROVED  
CHECKED BY: CHECKED  
DRAWN BY: yiliangdong  
DATE: 2021-11-25  
A1502立式贴板针产品图  
VER NO: AO

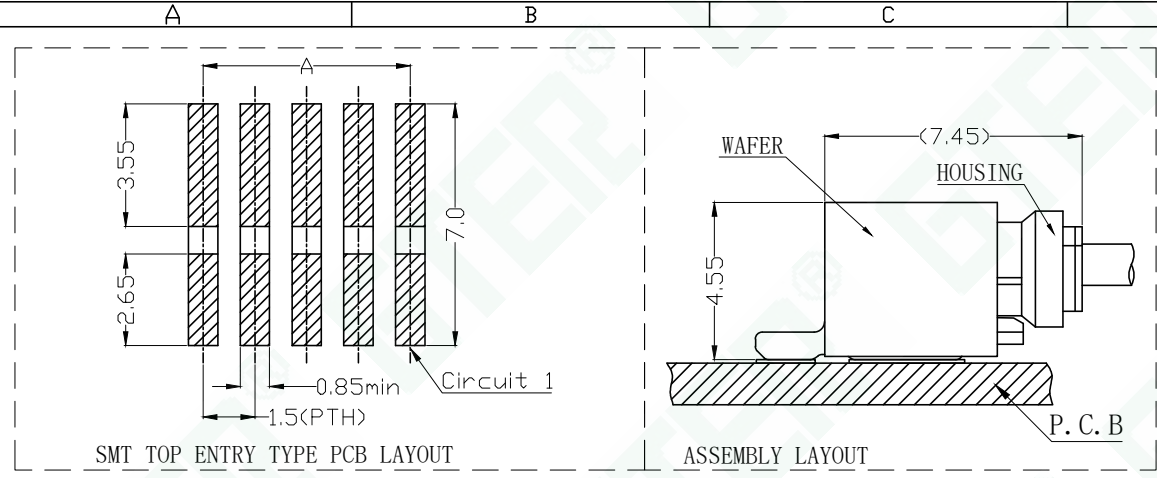
TOLERANCE  
-1 ±0.10  
1-5 ±0.15  
5-15 ±0.20  
15-30 ±0.25  
30- ±0.30  
(ANGLE) .X ±10°

LTR  
标记1 修改内容1  
标记2 修改内容2  
标记3 修改内容3  
标记4 修改内容4

CUSTOMER: ---

REVSION RECORD  
NAME DATE  
姓名1 日期1  
姓名2 日期2  
姓名3 日期3  
姓名4 日期4

Conforms to The RoHS&REACH Instruction

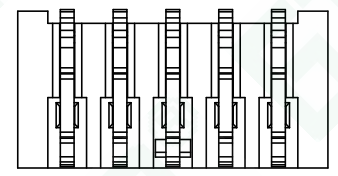
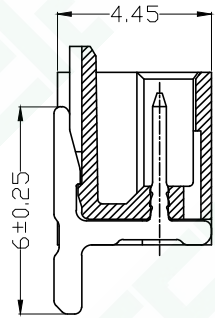
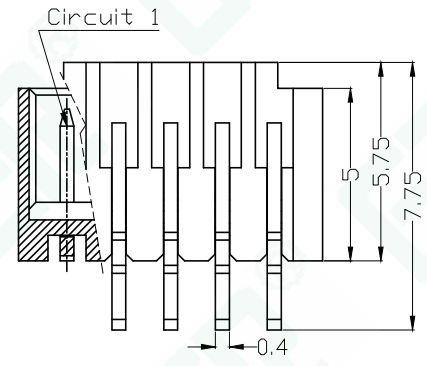
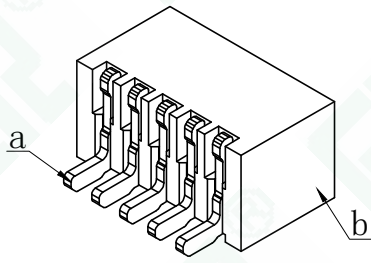
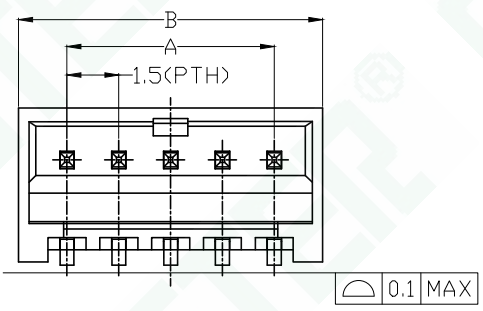


- Main Specifications
- 接触电阻 (Contact resistance):  $\leq 20m\Omega$
  - 绝缘电阻 (Insulation resistance):  $\geq 1000M\Omega$
  - 额定电压 (Rated voltage): 250V AC DC
  - 额定电流 (Rated current): 3.0A AC DC
  - 耐电压 (Withstand Voltage): 500V AC/minute
  - 温度范围 (Temperature Range):  $-25^{\circ}C \sim +105^{\circ}C$

■ 产品编码简介: GJ-A1502WRS-\*\*-FON  
① ② ③ ④

1. 系列号;
2. 卧式贴板针座;
3. Pin位数;
4. LCP UL94V-0 (本色)

■ 适配 GJ-A1502 SOCKET HOUSING SERIES.



Poles	Dimensions(mm)		Q'ty/ reel
	A	B	
2P	1.50	4.30	1,000
3P	3.00	5.80	1,000
4P	4.50	7.30	1,000
5P	6.00	8.80	1,000
6P	7.50	10.30	1,000
7P	9.00	11.80	1,000
8P	10.50	13.30	1,000
9P	12.00	14.80	1,000
10P	13.50	16.30	1,000
11P	15.00	17.80	1,000
12P	16.50	19.30	1,000
13P	18.00	20.80	1,000
14P	19.50	22.30	1,000
15P	21.00	23.80	1,000

组成序号	名称	材质
a	0.4pin针	青铜镀高温亮锡
b	WAFER 主体	LCP(本色) UL94V-0

**GTER**® 东莞市高嘉精密电子有限公司  
DONGGUAN GJ PRECISION ELECTRONICS Co.Ltd.

PART NO: GJ-A1502WRS-\*\*-FON

1.50mm WIRE TO BOARD CONNECTOR, WAFER(R-SMT TYPE)

APPROVED BY: APPROVED	PROJ:
CHECKED BY: CHECKED	UNIT: mm
DRAWN BY: yiliangdong	SCALE: --
DATE: 2021-11-25	SHEET: 1/1 A4
A1502卧式贴板针座产品图	VER NO: AO

TOLERANCE	LTR	REVISION RECORD	NAME	DATE
-1 ±0.10	标记1	修改内容1	姓名1	日期1
1-5 ±0.15	标记2	修改内容2	姓名2	日期2
5-15 ±0.20	标记3	修改内容3	姓名3	日期3
15-30 ±0.25	标记4	修改内容4	姓名4	日期4
30- ±0.30	CUSTOMER: ---			
(ANGLE) .X ±10°	Conforms to The RoHS&REACH Instruction			