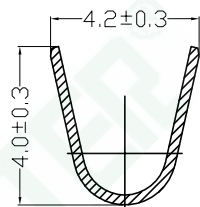
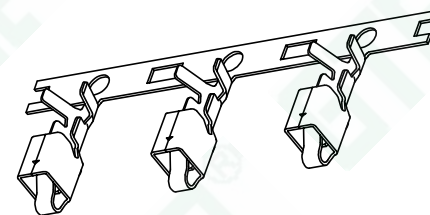
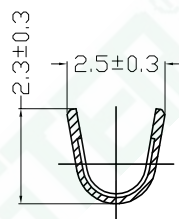


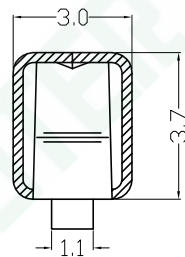
包装示意图(端子V型口向外顺时针绕盘)



SECTION A-A



SECTION B-B



SECTION C-C

■ Main Specifications

- . 额定电流 (Current rating): 7.0A AC, DC
- . 额定电压 (Voltage rating): 250V AC, DC
- . 温度范围 (Temperature range): -25°C TO + 105°C
- . 接触电阻 (Contact resistance): ≤20MΩ
- . 绝缘电阻 (Insulation resistance): ≥1000MΩ
- . 耐电压 (Withstand voltage): 1500V AC/minute

规格表	Part No	Wire Range	Insulation O.D	Material	Finish	Qty/reel	Features (Used in)	Remark
	A3961TF-PTS	AWG#22~#18	2.80 (MAX)	Phosphor Bronze	Tin-plated	4,500	GJ-A3961 SOCKET HOUSIN SERIES	

GTER® 东莞市高嘉精密电子有限公司
DONGGUAN GJ PRECISION ELECTRONICS Co.,Ltd.

PART NO: GJ-A3961TF-PTS

3.96mm WIRE TO BOARD CONNECTOR, SOCKET TERMINAL

APPROVED BY: APPROVED

CHECKED BY: CHECKED

DRAWN BY: yiliangdong

DATE: 2022-07-27

A3961端子 产品图

PROJ:

UNIT: mm

SCALE: --

SHEET: 1/1 | A4

VER NO: AO

TOLERANCE

-1 ±0.10

1-5 ±0.15

5-15 ±0.20

15-30 ±0.25

30- ±0.30

(ANGLE) X ±10°

LTR

标记1

标记2

标记3

标记4

CUSTOMER: ---

REVISION RECORD

修改内容1

修改内容2

修改内容3

修改内容4

NAME

姓名1

姓名2

姓名3

姓名4

DATE

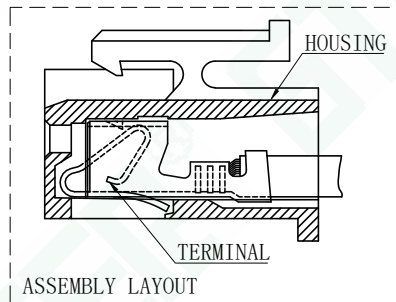
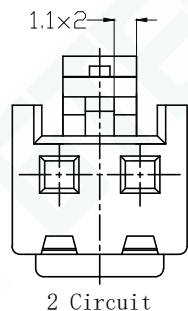
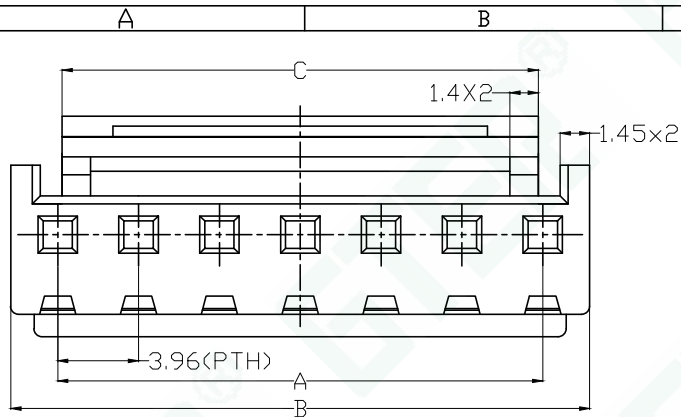
日期1

日期2

日期3

日期4

Conforms to The RoHS&REACH Instruction



■ Main Specifications

- 接触电阻 (Contact resistance): $\leq 20m\Omega$
- 绝缘电阻 (Insulation resistance): $\geq 1000M\Omega$
- 额定电压 (Rated voltage): 250V AC DC
- 额定电流 (Rated current): 7.0A AC DC
- 耐电压 (Withstand Voltage): 1500V AC/minute
- 温度范围 (Temperature Range): $-25^{\circ}C \sim +85^{\circ}C$

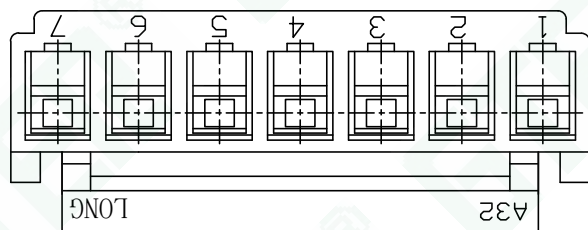
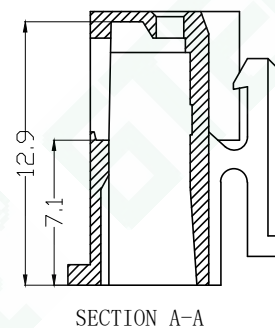
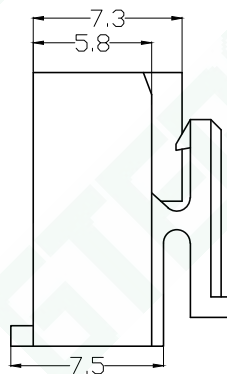
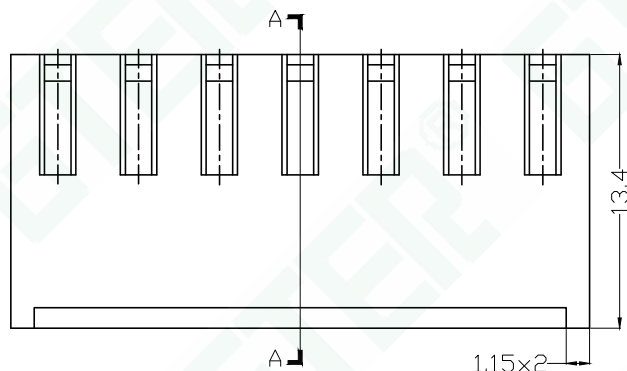
■ 产品编码简介: GJ-A3961HF-**-AON

① ② ③ ④

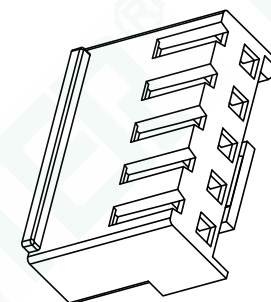
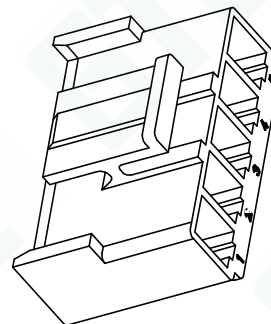
1. 系列号;
2. 母胶壳;
3. Pin位数;
4. Nylon66 UL94V-0 (本色)

■ 适配 GJ-A3961 SOCKET TERMINAL.

■ 适配 GJ-A3961 WAFER SERIES.



3-15 Circuit



Poles	Dimensions(mm)			Q'ty/ bag
	A	B	C	
2P	3.96	8.56	3.60	1,000
3P	7.92	12.52	7.50	1,000
4P	11.88	16.48	11.46	1,000
5P	15.84	20.44	15.42	1,000
6P	19.80	24.40	19.38	1,000
7P	23.76	28.36	23.34	1,000
8P	27.72	32.32	27.30	1,000
9P	31.68	36.28	31.26	1,000
10P	35.64	40.24	35.22	1,000
11P	39.60	44.20	39.18	1,000
12P	43.56	48.16	43.14	1,000
13P	47.52	52.12	47.10	1,000
14P	51.48	56.08	51.06	1,000
15P	55.44	60.04	55.02	1,000
16P	59.40	64.00	58.98	1,000

GTER® 东莞市高嘉精密电子有限公司
DONGGUAN GJ PRECISION ELECTRONICS Co.Ltd.

PART NO: GJ-A3961HF-**-AON

3.96mm WIRE TO BOARD CONNECTOR, SOCKET HOUSING

APPROVED BY: APPROVED

CHECKED BY: CHECKED

DRAWN BY: yiliangdong

DATE: 2021-11-25

A3961胶壳 产品图

PROJ:

UNIT: mm

SCALE: --

SHEET: 1/1 A4

VER NO: AO

TOLERANCE

-1 ±0.10

1-5 ±0.15

5-15 ±0.20

15-30 ±0.25

30- ±0.30

(ANGLE) .X ±10°

LTR

标记1

标记2

标记3

标记4

CUSTOMER: ---

REVISION RECORD

修改内容1

修改内容2

修改内容3

修改内容4

NAME

姓名1

姓名2

姓名3

姓名4

DATE

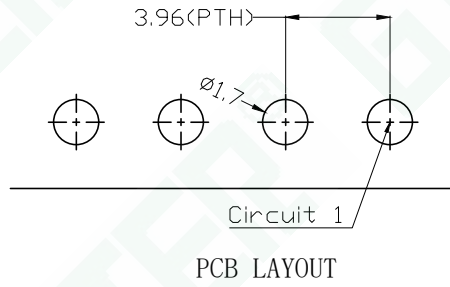
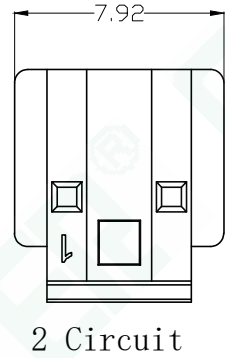
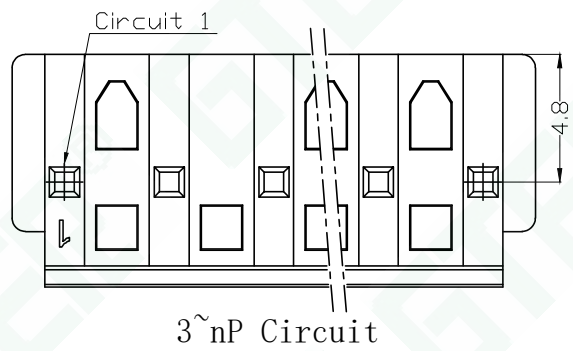
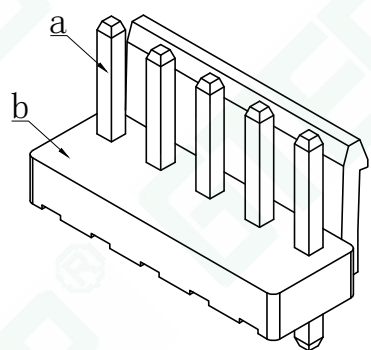
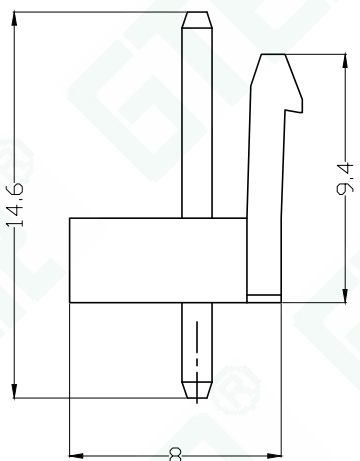
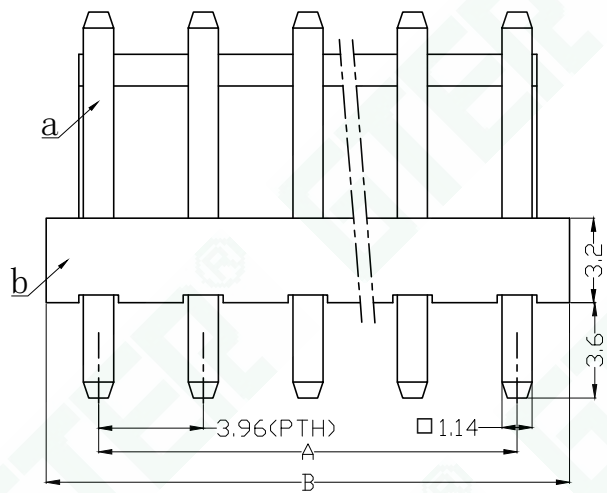
日期1

日期2

日期3

日期4

Conforms to The RoHS&REACH Instruction



■ Main Specifications

- . 接触电阻 (Contact resistance): $\leq 20m\Omega$
- . 绝缘电阻 (Insulation resistance): $\geq 1000M\Omega$
- . 额定电压 (Rated voltage): 250V AC DC
- . 额定电流 (Rated current): 7.0A AC DC
- . 耐电压 (Withstand Voltage): 1500V AC/minute
- . 温度范围 (Temperature Range): $-25^{\circ}C \sim +85^{\circ}C$

■ 产品编码简介: GJ-A3961WVD-**-AON
 ① ② ③ ④

1. 系列号;
2. 立式插板针座;
3. Pin位数;
4. Nylon66 UL94V-0 (本色)

- 适配 GJ-A3961 SOCKET HOUSING SERIES.
- 适用基板厚度 1.6MM-2.0MM.

Poles	Dimensions(mm)		Q'ty/ bag
	A	B	
2P	3.96	7.92	1,000
3P	7.92	11.88	1,000
4P	11.88	15.84	1,000
5P	15.84	19.80	1,000
6P	19.80	23.76	1,000
7P	23.76	27.72	1,000
8P	27.72	31.68	1,000
9P	31.68	35.64	1,000
10P	35.64	39.60	1,000
11P	39.60	43.56	1,000
12P	43.56	47.52	1,000
13P	47.52	51.48	1,000
14P	51.48	55.44	1,000
15P	55.44	59.40	1,000
16P	59.40	63.36	1,000

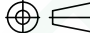
组成序号	名称	材质
a	1.14方pin针	青铜镀高温亮锡
b	胶壳本体	Nylon66 UL94V-0(本色)

GTER® 东莞市高嘉精密电子有限公司
 DONGGUAN GJ PRECISION ELECTRONICS Co.Ltd.

PART NO: GJ-A3961WVD-**-AON

3.96mm WIRE TO BOARD CONNECTOR, SOCKET HOUSING

APPROVED BY: APPROVED
 CHECKED BY: CHECKED
 DRAWN BY: yiliangdong
 DATE: 2021-11-25

PROJ: 
 UNIT: mm
 SCALE: --
 SHEET: 1/1 A4

A3961立式插板针座产品图

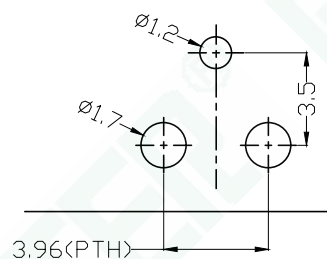
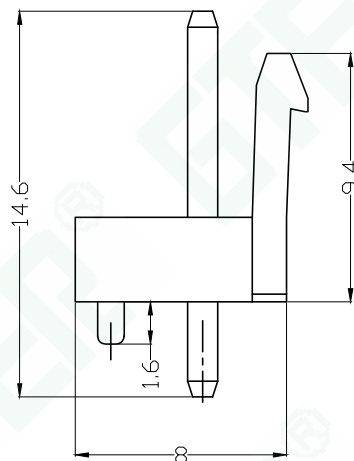
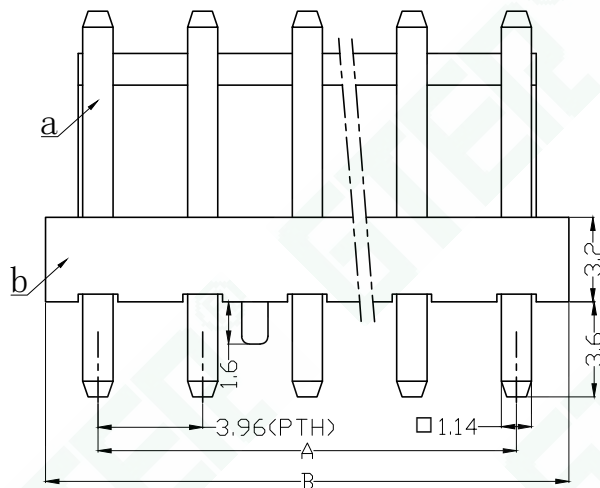
VER NO: AO

TOLERANCE	LTR	REVISION RECORD
-1 ±0.10	标记1	修改内容1
1-5 ±0.15	标记2	修改内容2
5-15 ±0.20	标记3	修改内容3
15-30 ±0.25	标记4	修改内容4
30- ±0.30		
(ANGLE) .X ±10°		

CUSTOMER: ---

NAME	DATE
姓名1	日期1
姓名2	日期2
姓名3	日期3
姓名4	日期4

Conforms to The RoHS&REACH Instruction



2 Circuit PCB LAYOUT



■ Main Specifications

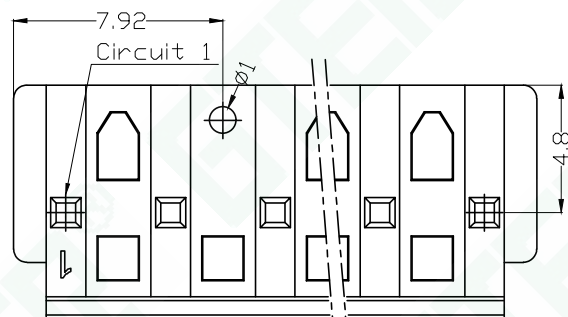
- 接触电阻 (Contact resistance): $\leq 20m\Omega$
- 绝缘电阻 (Insulation resistance): $\geq 1000M\Omega$
- 额定电压 (Rated voltage): 250V AC DC
- 额定电流 (Rated current): 7.0A AC DC
- 耐电压 (Withstand Voltage): 1500V AC/minute
- 温度范围 (Temperature Range): $-25^{\circ}C \sim +85^{\circ}C$

■ 产品编码简介: GJ-A3961WVD-**-AON- P
① ② ③ ④ ⑤

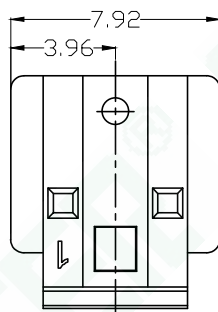
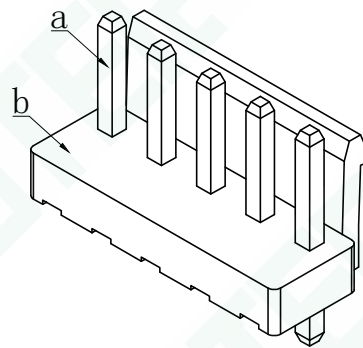
1. 系列号;
2. 立式插板针座;
3. Pin位数;
4. Nylon66 UL94V-0 (本色)
5. P-带定位柱, 选用时料号需备注。

■ 适配 GJ-A3961 SOCKET HOUSING SERIES.

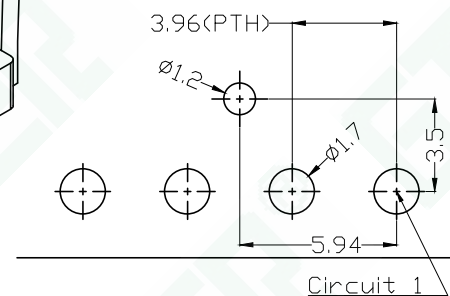
■ 适用基板厚度 1.6MM-2.0MM.



3~nP Circuit



2 Circuit



3~16 Circuit PCB LAYOUT

Poles	Dimensions(mm)		Q'ty/ bag
	A	B	
2P	3.96	7.92	1,000
3P	7.92	11.88	1,000
4P	11.88	15.84	1,000
5P	15.84	19.80	1,000
6P	19.80	23.76	1,000
7P	23.76	27.72	1,000
8P	27.72	31.68	1,000
9P	31.68	35.64	1,000
10P	35.64	39.60	1,000
11P	39.60	43.56	1,000
12P	43.56	47.52	1,000
13P	47.52	51.48	1,000
14P	51.48	55.44	1,000
15P	55.44	59.40	1,000
16P	59.40	63.36	1,000

组成序号	名称	材质
a	1.14方pin针	青铜镀高温亮锡
b	胶壳本体	Nylon66 UL94V-0(本色)

GTER® 东莞市高嘉精密电子有限公司
DONGGUAN GJ PRECISION ELECTRONICS Co.Ltd.

PART NO:GJ-A3961WVD-**-AON-P

3.96mm WIRE TO BOARD CONNECTOR, SOCKET HOUSING

APPROVED BY: APPROVED

CHECKED BY: CHECKED

DRAWN BY: yiliangdong

DATE: 2021-11-25

A3961立式插板针座产品图

PROJ:

UNIT: mm

SCALE: --

SHEET: 1/1 A4

VER NO: AO

TOLERANCE

-1 ±0.10

1-5 ±0.15

5-15 ±0.20

15-30 ±0.25

30- ±0.30

(ANGLE) .X ±10°

LTR

标记1

标记2

标记3

标记4

CUSTOMER: ---

REVISION RECORD

修改内容1

修改内容2

修改内容3

修改内容4

NAME

姓名1

姓名2

姓名3

姓名4

DATE

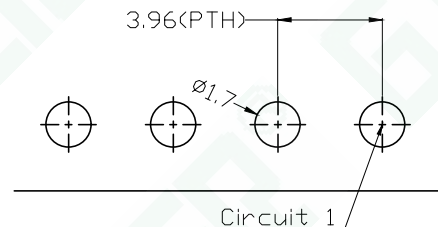
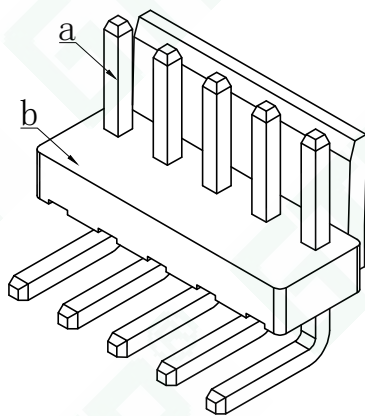
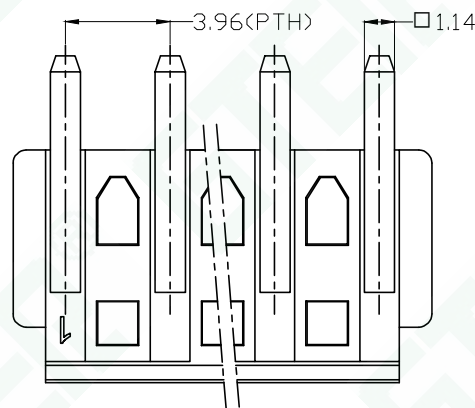
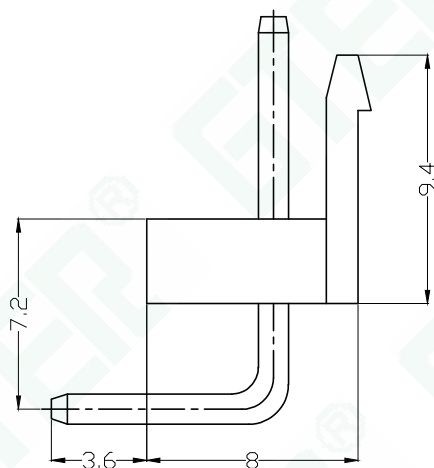
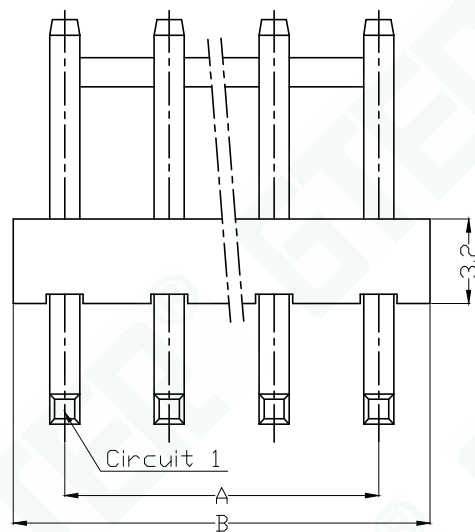
日期1

日期2

日期3

日期4

Conforms to The RoHS&REACH Instruction



PCB LAYOUT

■ Main Specifications

- 接触电阻 (Contact resistance): $\leq 20m\Omega$
- 绝缘电阻 (Insulation resistance): $\geq 1000M\Omega$
- 额定电压 (Rated voltage): 250V AC DC
- 额定电流 (Rated current): 7.0A AC DC
- 耐电压 (Withstand Voltage): 1500V AC/minute
- 温度范围 (Temperature Range): $-25^{\circ}C \sim +85^{\circ}C$

■ 产品编码简介: GJ-A3961WRD-**-AON-HB
① ② ③ ④ ⑤

1. 系列号;
2. 卧式插板针座;
3. Pin位数;
4. Nylon66 UL94V-0 (本色)
5. HB-高弯, 选用时料号需备注。

■ 适配 GJ-A3961 SOCKET HOUSING SERIES.

■ 适用基板厚度 1.6MM-2.0MM.

Poles	Dimensions(mm)		Q'ty/ bag
	A	B	
2P	3.96	7.92	1,000
3P	7.92	11.88	1,000
4P	11.88	15.84	1,000
5P	15.84	19.80	1,000
6P	19.80	23.76	1,000
7P	23.76	27.72	1,000
8P	27.72	31.68	1,000
9P	31.68	35.64	1,000
10P	35.64	39.60	1,000
11P	39.60	43.56	1,000
12P	43.56	47.52	1,000
13P	47.52	51.48	1,000
14P	51.48	55.44	1,000
15P	55.44	59.40	1,000
16P	59.40	63.36	1,000

组成序号	名称	材质
a	1.14方pin针	青铜镀高温亮锡
b	胶壳本体	Nylon66 UL94V-0(本色)

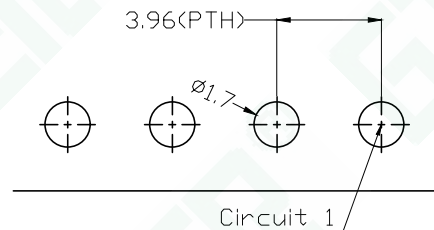
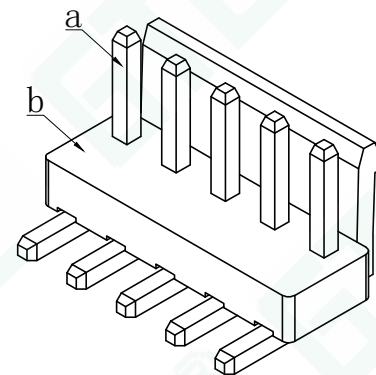
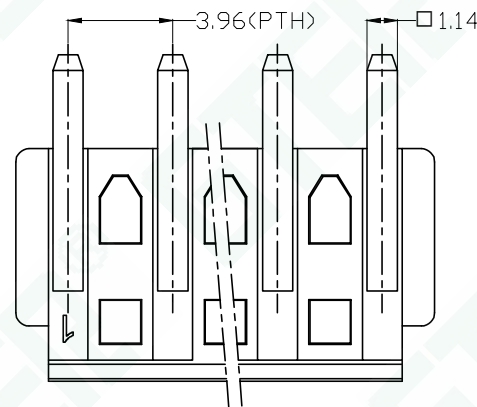
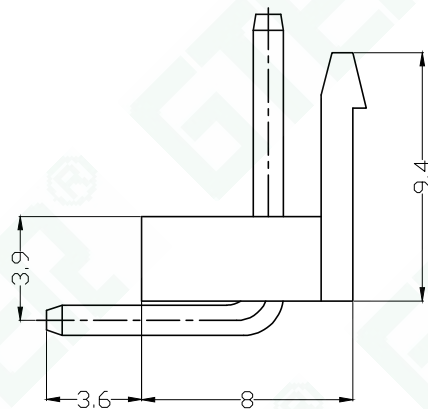
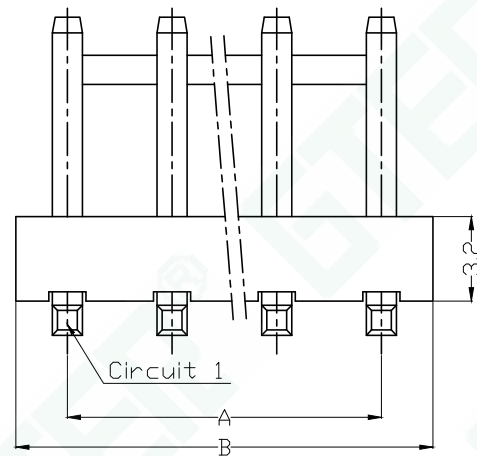
GTER® 东莞市高嘉精密电子有限公司
DONGGUAN GJ PRECISION ELECTRONICS Co.Ltd.

PART NO: GJ-A3961WRD-**-AON-HB

3.96mm WIRE TO BOARD CONNECTOR, SOCKET HOUSING

APPROVED BY: APPROVED	PROJ:
CHECKED BY: CHECKED	UNIT: mm
DRAWN BY: yiliangdong	SCALE: --
DATE: 2021-11-25	SHEET: 1/1 A4
A3961卧式插板针座产品图	VER NO: AO

TOLERANCE	LTR	REVISION RECORD	NAME	DATE
-1 ±0.10	标记1	修改内容1	姓名1	日期1
1-5 ±0.15	标记2	修改内容2	姓名2	日期2
5-15 ±0.20	标记3	修改内容3	姓名3	日期3
15-30 ±0.25	标记4	修改内容4	姓名4	日期4
30- ±0.30	CUSTOMER: ---			
(ANGLE) .X ±10°	Conforms to The RoHS&REACH Instruction			



PCB LAYOUT

■ Main Specifications

- 接触电阻 (Contact resistance): $\leq 20m\Omega$
- 绝缘电阻 (Insulation resistance): $\geq 1000M\Omega$
- 额定电压 (Rated voltage): 250V AC DC
- 额定电流 (Rated current): 7.0A AC DC
- 耐电压 (Withstand Voltage): 1500V AC/minute
- 温度范围 (Temperature Range): $-25^{\circ}C \sim +85^{\circ}C$

■ 产品编码简介: GJ-A3961WRD-**-AON-PB
① ② ③ ④ ⑤

1. 系列号;
2. 卧式插板针座;
3. Pin位数;
4. Nylon66 UL94V-0 (本色)
5. PB-平弯, 选用时料号需备注。

■ 适配 GJ-A3961 SOCKET HOUSING SERIES.

■ 适用基板厚度 1.6MM-2.0MM.



Poles	Dimensions(mm)		Q'ty/ bag
	A	B	
2P	3.96	7.92	1,000
3P	7.92	11.88	1,000
4P	11.88	15.84	1,000
5P	15.84	19.80	1,000
6P	19.80	23.76	1,000
7P	23.76	27.72	1,000
8P	27.72	31.68	1,000
9P	31.68	35.64	1,000
10P	35.64	39.60	1,000
11P	39.60	43.56	1,000
12P	43.56	47.52	1,000
13P	47.52	51.48	1,000
14P	51.48	55.44	1,000
15P	55.44	59.40	1,000
16P	59.40	63.36	1,000

组成序号	名称	材质
a	1.14方pin针	青铜镀高温亮锡
b	胶壳本体	Nylon66 UL94V-0(本色)

GTER® 东莞市高嘉精密电子有限公司
DONGGUAN GJ PRECISION ELECTRONICS Co.Ltd.

PART NO: GJ-A3961WRD-**-AON-PB

3.96mm WIRE TO BOARD CONNECTOR, SOCKET HOUSING

APPROVED BY: APPROVED

CHECKED BY: CHECKED

DRAWN BY: yiliangdong

DATE: 2021-11-25

A3961卧式插板针座产品图

PROJ:

UNIT: mm

SCALE: --

SHEET: 1/1 A4

VER NO: AO

TOLERANCE

-1 ±0.10

1-5 ±0.15

5-15 ±0.20

15-30 ±0.25

30- ±0.30

(ANGLE) .X ±10°

LTR

标记1

标记2

标记3

标记4

CUSTOMER: ---

REVISION RECORD

修改内容1

修改内容2

修改内容3

修改内容4

NAME

姓名1

姓名2

姓名3

姓名4

DATE

日期1

日期2

日期3

日期4

Conforms to The RoHS&REACH Instruction