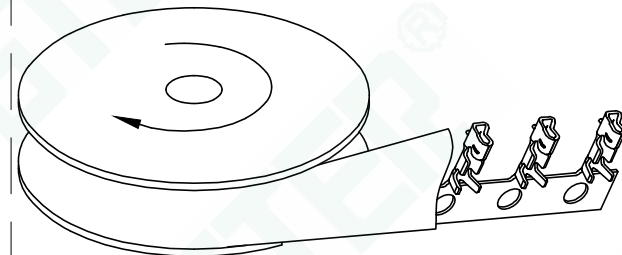
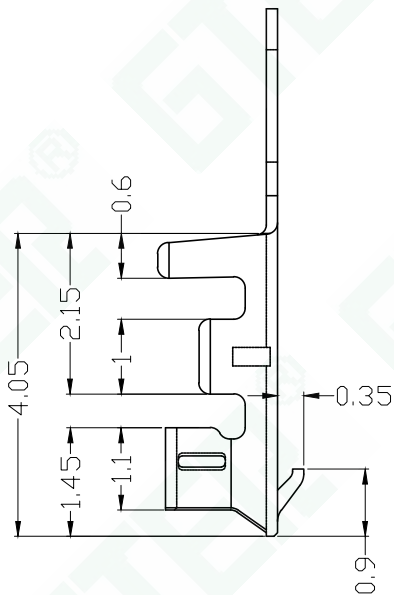
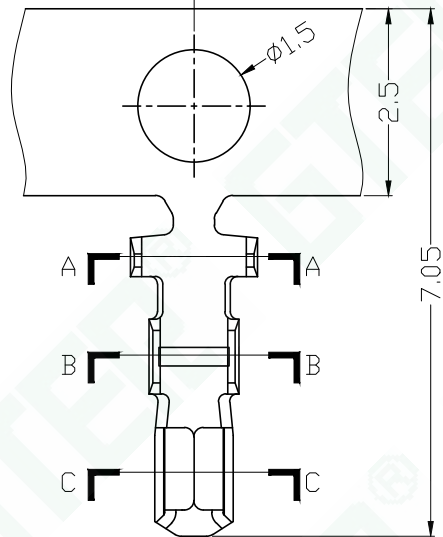
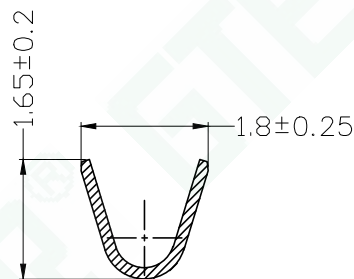
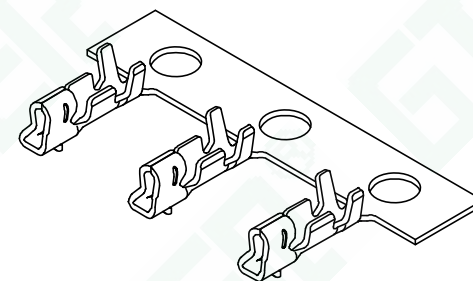


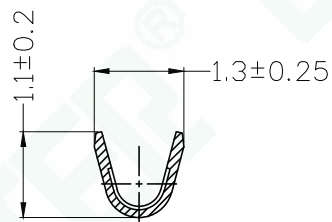
PITCH=4.5



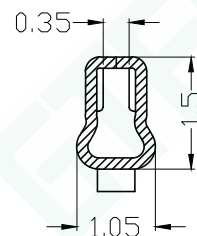
包装示意图(端子V型口向外顺时针绕盘)



SECTION A-A



SECTION B-B



SECTION C-C

■ Main Specifications

- 额定电流 (Current rating): 1.0A AC, DC
- 额定电压 (Voltage rating): 50V AC, DC
- 温度范围 (Temperature range): -25°C TO + 105°C
- 接触电阻 (Contact resistance): ≤20MΩ
- 绝缘电阻 (Insulation resistance): ≥500MΩ
- 耐电压 (Withstand voltage): 500V AC/minute

规格表	Part No	Wire Range	Insulation O.D	Material	Finish	Qty/reel	Features (Used in)	Remark
	A1501TF-PTS	AWG#32~#28	0.90 (MAX)	Phosphor Bronze	Tin-plated	20,000	GJ-A1501 SOCKET HOUSIN SERIES	

**GTER**® 东莞市高嘉精密电子有限公司  
DONGGUAN GJ PRECISION ELECTRONICS Co.Ltd.

PART NO: GJ-A1501TF-PTS

1.50mm WIRE TO BOARD CONNECTOR, SOCKET TERMINAL

APPROVED BY: APPROVED

CHECKED BY: CHECKED

DRAWN BY: yiliangdong

DATE: 2021-11-25

A1501端子 产品图

PROJ:

UNIT: mm

SCALE: --

SHEET: 1/1 A4

VER NO: A0

TOLERANCE

-1 ±0.10

1-5 ±0.15

5-15 ±0.20

15-30 ±0.25

30- ±0.30

(ANGLE) .X ±10°

LTR

标记1

标记2

标记3

标记4

CUSTOMER: ---

REVISION RECORD

修改内容1

修改内容2

修改内容3

修改内容4

NAME

姓名1

姓名2

姓名3

姓名4

DATE

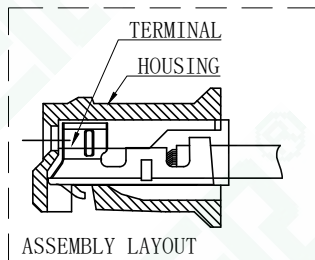
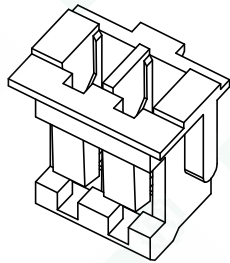
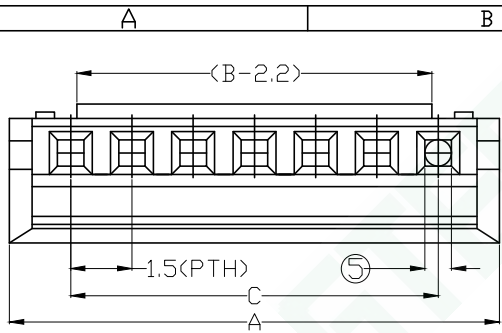
日期1

日期2

日期3

日期4

Conforms to The RoHS&REACH Instruction



■ Main Specifications

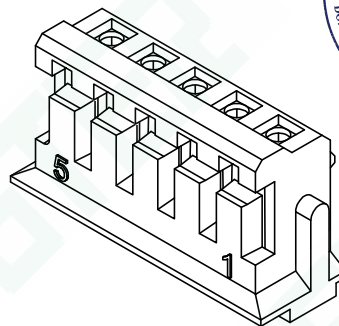
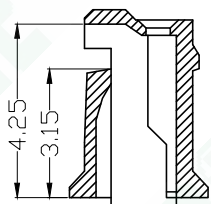
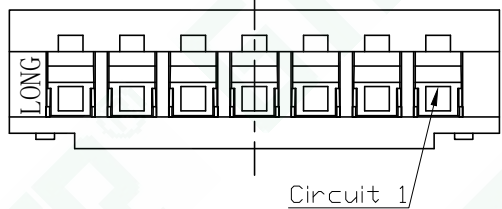
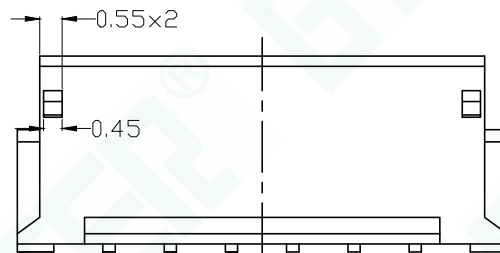
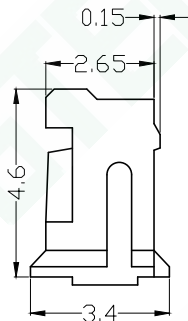
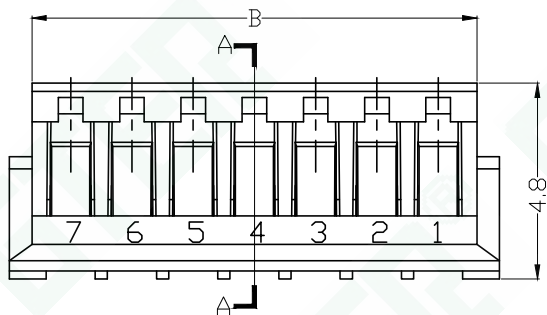
- 接触电阻 (Contact resistance):  $\leq 20m\Omega$
- 绝缘电阻 (Insulation resistance):  $\geq 500M\Omega$
- 额定电压 (Rated voltage): 50V AC DC
- 额定电流 (Rated current): 1.0A AC DC
- 耐电压 (Withstand Voltage): 500V AC/minute
- 温度范围 (Temperature Range):  $-25^{\circ}C \sim +85^{\circ}C$

■ 产品编码简介: GJ-A1501HF-\*\*-AON-\*\*  
 ① ② ③ ④ ⑤

1. 系列号;
2. 母胶壳;
3. Pin位数;
4. Nylon66 UL94V-0 (本色)
5. CH-圆孔 $\phi 0.65mm$ , SH-方 $\square 0.65mm$ , 默认为方孔, 选用圆孔时料号需备注。

■ 适配 GJ-A1501 WAFER SERIES.

■ 适配 GJ-A1501 SOCKET TERMINAL.



Poles	Dimensions(mm)			Q'ty/ bag
	A	B	C	
2P	4.50	3.40	1.50	1,000
3P	6.00	4.90	3.00	1,000
4P	7.50	6.40	4.50	1,000
5P	9.00	7.90	6.00	1,000
6P	10.50	9.40	7.50	1,000
7P	12.00	10.90	9.00	1,000
8P	13.50	12.40	10.50	1,000
9P	15.00	13.90	12.00	1,000
10P	16.50	15.40	13.50	1,000
11P	18.00	16.90	15.00	1,000
12P	19.50	18.40	16.50	1,000
13P	21.00	19.90	18.00	1,000
14P	22.50	21.40	19.50	1,000
15P	24.00	22.90	21.00	1,000
16P	25.50	24.40	22.50	1,000

**GTER**® 东莞市高嘉精密电子有限公司  
 DONGGUAN GJ PRECISION ELECTRONICS Co.Ltd.

PART NO:GJ-A1501HF-\*\*-AON-\*\*

1.50mm WIRE TO BOARD CONNECTOR, SOCKET HOUSING

APPROVED BY: APPROVED

CHECKED BY: CHECKED

DRAWN BY: yiliangdong

DATE: 2021-11-25

PROJ:

UNIT: mm

SCALE: --

SHEET: 1/1 A4

VER NO: A0

TOLERANCE

-1 ±0.10

1-5 ±0.15

5-15 ±0.20

15-30 ±0.25

30- ±0.30

(ANGLE) .X ±10°

LTR

标记1

标记2

标记3

标记4

CUSTOMER: ---

REVISION RECORD

修改内容1

修改内容2

修改内容3

修改内容4

NAME

姓名1

姓名2

姓名3

姓名4

DATE

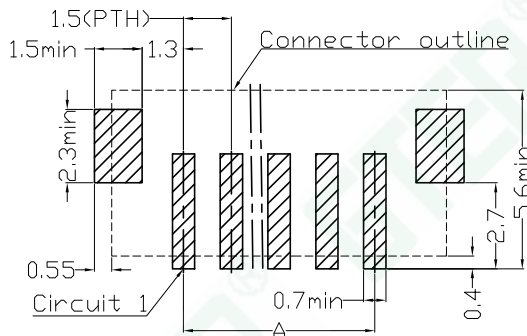
日期1

日期2

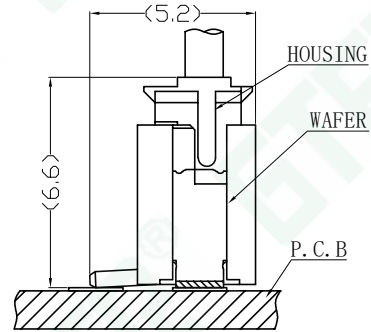
日期3

日期4

Conforms to The RoHS&REACH Instruction



SMT TOP ENTRY TYPE PCB LAYOUT



ASSEMBLY LAYOUT

■ Main Specifications

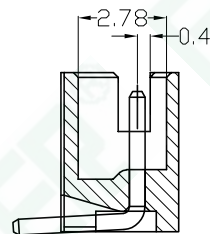
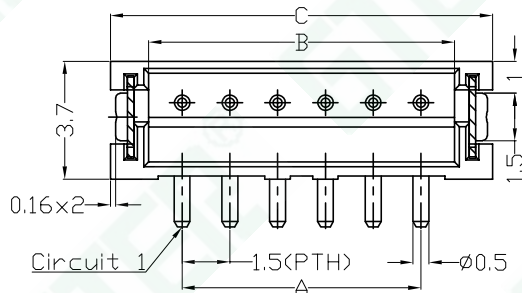
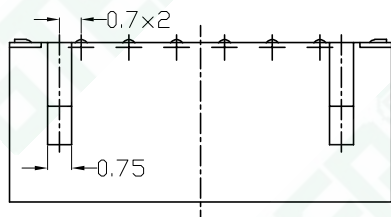
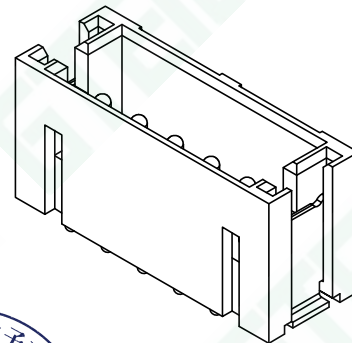
- 接触电阻 (Contact resistance):  $\leq 20m\Omega$
- 绝缘电阻 (Insulation resistance):  $\geq 500M\Omega$
- 额定电压 (Rated voltage): 50V AC DC
- 额定电流 (Rated current): 1.0A AC DC
- 耐电压 (Withstand Voltage): 500V AC/minute
- 温度范围 (Temperature Range):  $-25^{\circ}C \sim +105^{\circ}C$

■ 产品编码简介: GJ-A1501WVS-\*\*-FON

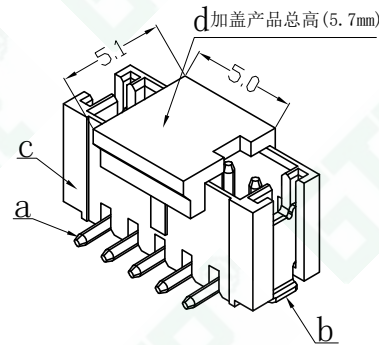
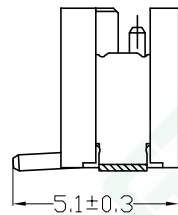
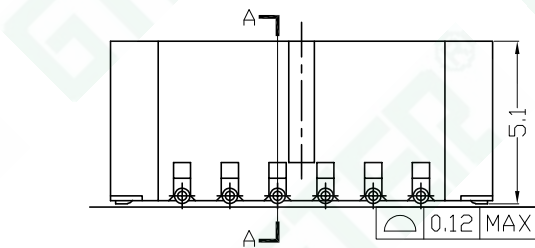
① ② ③ ④

1. 系列号;
2. 立式贴板针座;
3. Pin位数;
4. LCP UL94V-0 (本色)

■ 适配 GJ-A1501 SOCKET HOUSING SERIES.



SECTION A-A



Poles	Dimensions(mm)			Q'ty/ reel
	A	B	C	
2P	1.50	3.60	6.00	1,000
3P	3.00	5.10	7.50	1,000
4P	4.50	6.60	9.00	1,000
5P	6.00	8.10	10.50	1,000
6P	7.50	9.60	12.00	1,000
7P	9.00	11.10	13.50	1,000
8P	10.50	12.60	15.00	1,000
9P	12.00	14.10	16.50	1,000
10P	13.50	15.60	18.00	1,000
11P	15.00	17.10	19.50	1,000
12P	16.50	18.60	21.00	1,000
13P	18.00	20.10	22.50	1,000
14P	19.50	21.60	24.00	1,000
15P	21.00	23.10	25.50	1,000
16P	22.50	24.60	27.00	1,000

组成序号	名称	材质
a	0.5圆pin针	青铜镀高温亮锡
b	接地片	磷铜镀高温亮锡
c	WAFER 主体	LCP(本色) UL94V-0
d	吸盖	LCP(本色) UL94V-0

**GTER**® 东莞市高嘉精密电子有限公司  
DONGGUAN GJ PRECISION ELECTRONICS Co.Ltd.

PART NO: GJ-A1501WVS-\*\*-FON

1.50mm WIRE TO BOARD CONNECTOR, WAFER (V-SMT TYPE)

APPROVED BY: APPROVED

CHECKED BY: CHECKED

DRAWN BY: yiliangdong

DATE: 2022-09-13

A1501立式贴板针产品图

PROJ:

UNIT: mm

SCALE: --

SHEET: 1/1 A4

VER NO: AO

TOLERANCE

-1 ±0.10

1-5 ±0.15

5-15 ±0.20

15-30 ±0.25

30- ±0.30

(ANGLE) .X ±10°

LTR

标记1

标记2

标记3

标记4

CUSTOMER: ---

REVISION RECORD

修改内容1

修改内容2

修改内容3

修改内容4

NAME

姓名1

姓名2

姓名3

姓名4

DATE

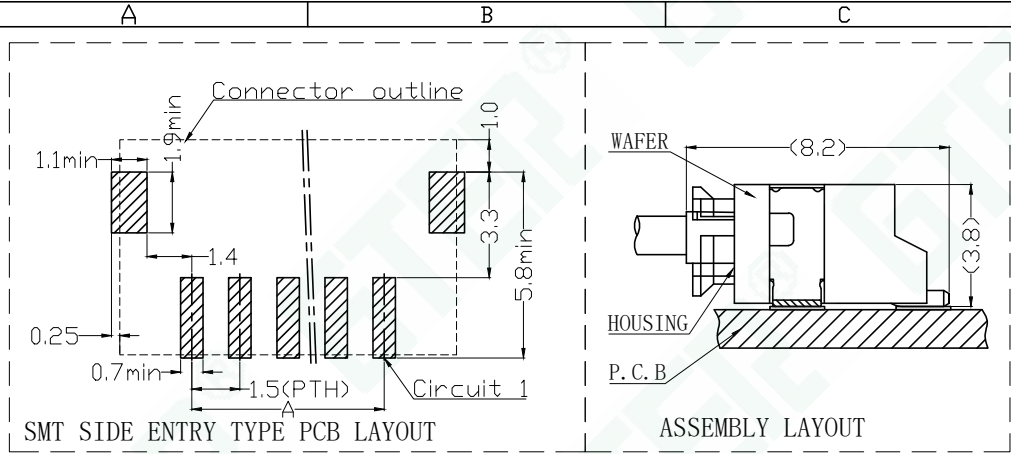
日期1

日期2

日期3

日期4

Conforms to The RoHS&REACH Instruction

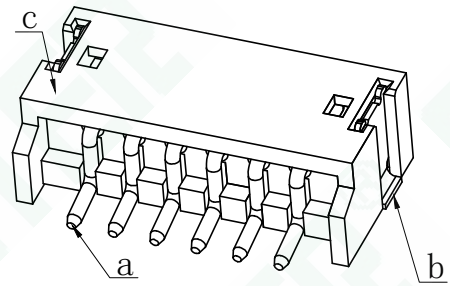
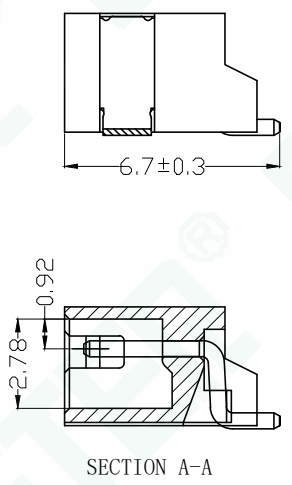
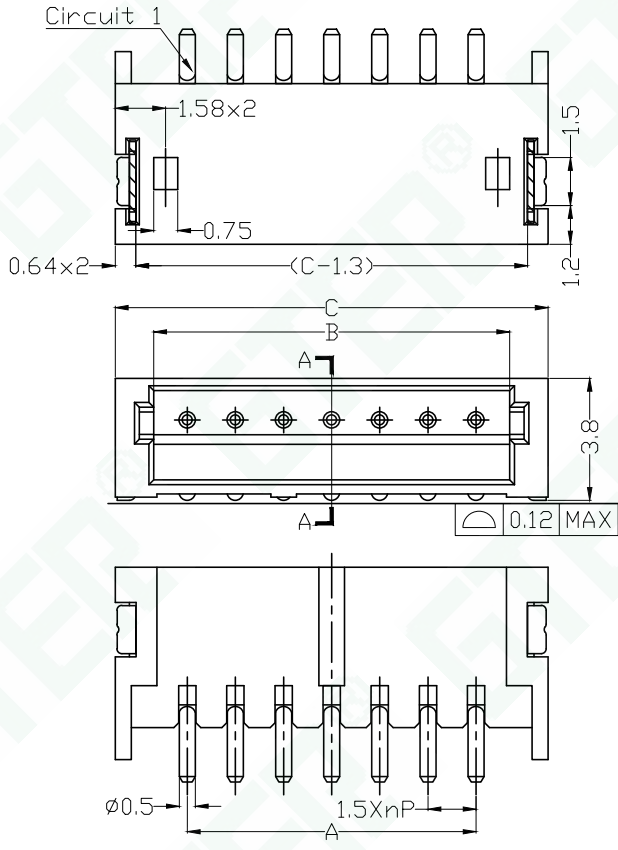


- Main Specifications
- 接触电阻 (Contact resistance):  $\leq 20m\Omega$
  - 绝缘电阻 (Insulation resistance):  $\geq 500M\Omega$
  - 额定电压 (Rated voltage): 50V AC DC
  - 额定电流 (Rated current): 1.0A AC DC
  - 耐电压 (Withstand Voltage): 500V AC/minute
  - 温度范围 (Temperature Range):  $-25^{\circ}C \sim +105^{\circ}C$

■ 产品编码简介: GJ-A1501WRS-\*\*-FON  
① ② ③ ④

1. 系列号;
2. 卧式贴板针座;
3. Pin位数;
4. LCP UL94V-0 (本色)

■ 适配 GJ-A1501 SOCKET HOUSING SERIES.



Poles	Dimensions(mm)			Q'ty/ reel
	A	B	C	
2P	1.50	3.60	6.00	1,000
3P	3.00	5.10	7.50	1,000
4P	4.50	6.60	9.00	1,000
5P	6.00	8.10	10.50	1,000
6P	7.50	9.60	12.00	1,000
7P	9.00	11.10	13.50	1,000
8P	10.50	12.60	15.00	1,000
9P	12.00	14.10	16.50	1,000
10P	13.50	15.60	18.00	1,000
11P	15.00	17.10	19.50	1,000
12P	16.50	18.60	21.00	1,000
13P	18.00	20.10	22.50	1,000
14P	19.50	21.60	24.00	1,000
15P	21.00	23.10	25.50	1,000
16P	22.50	24.60	27.00	1,000

组成序号	名称	材质
a	0.5圆pin针	青铜镀高温亮锡
b	接地片	磷铜镀高温亮锡
c	WAFER 主体	LCP(本色) UL94V-0

**GTER**® 东莞市高嘉精密电子有限公司  
DONGGUAN GJ PRECISION ELECTRONICS Co.Ltd.  
PART NO: GJ-A1501WRS-\*\*-FON  
1.50mm WIRE TO BOARD CONNECTOR, WAFER(R-SMT TYPE)

APPROVED BY: APPROVED  
CHECKED BY: CHECKED  
DRAWN BY: yiliangdong  
DATE: 2021-11-25  
A1501卧式贴板针座产品图

PROJ: UNIT: mm  
SCALE: --  
SHEET: 1/1 A4  
VER NO: AO

TOLERANCE	LTR	REVISION RECORD	NAME	DATE
-1 ±0.10	标记1	修改内容1	姓名1	日期1
1-5 ±0.15	标记2	修改内容2	姓名2	日期2
5-15 ±0.20	标记3	修改内容3	姓名3	日期3
15-30 ±0.25	标记4	修改内容4	姓名4	日期4
30- ±0.30	CUSTOMER: ---			
(ANGLE) .X ±10°			Conforms to The RoHS&REACH Instruction	