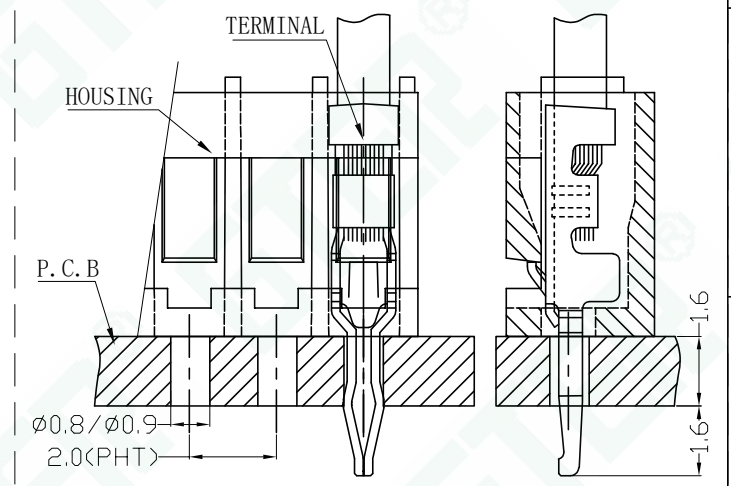


- Main Specifications
- 额定电流 (Current rating): 2.0A AC, DC
 - 额定电压 (Voltage rating): 250V AC, DC
 - 温度范围 (Temperature range): -25°C TO + 85°C
 - 接触电阻 (Contact resistance): ≤ 20mΩ
 - 绝缘电阻 (Insulation resistance): ≥ 1000mΩ
 - 耐电压 (Withstand voltage): 800V AC/minute



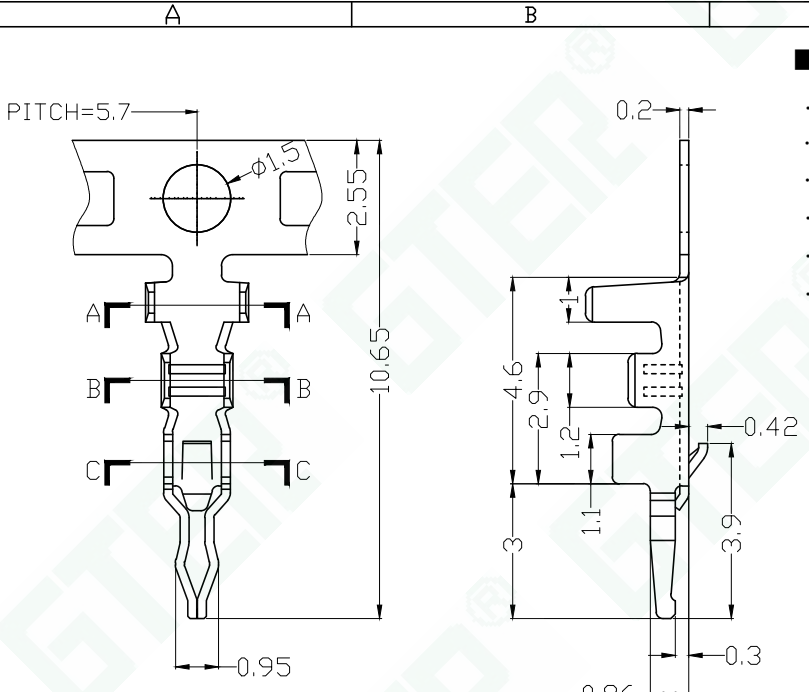
包装示意图 (端子V型口向外顺时针绕盘)



PCB LAYOUT

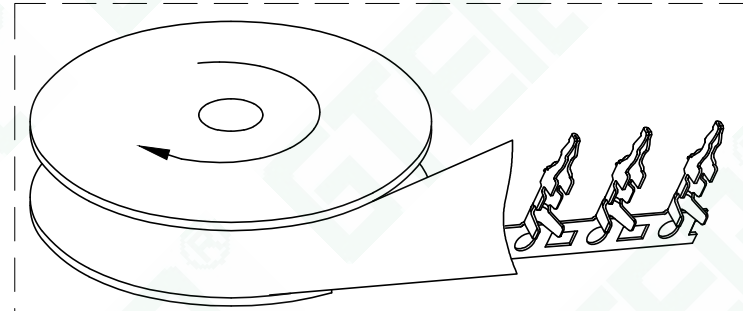
规格表	Part No	Wire Range	Insulation O.D	Material	Finish	Qty/reel	Applicab P.C.B Specifications	Features (Used in)
	B2001TV-BTS- (标准0.9)	AWG#30~#24	1.60 (MAX)	Brasses	Tin-plated	15,000	thickness: 1.6mm, Aperture: $\phi 0.90$ mm.	GJ-B2001 V-TYPE HOUSIN SERIES
	B2001TV-BTS- (标准0.8)	AWG#30~#24	1.60 (MAX)	Brasses	Tin-plated	15,000	thickness: 1.6mm, Aperture: $\phi 0.90$ mm.	GJ-B2001 V-TYPE HOUSIN SERIES

GTER ® 东莞市高嘉精密电子有限公司 DONGGUAN GJ PRECISION ELECTRONICS Co.,Ltd. PART NO: GJ-B2001TV-BTS 2.0mm BOARD-IN CONNECTOR, PLUG TERMINAL	APPROVED BY: APPROVED	PROJ:	TOLERANCE	LTR	REVISION RECORD	NAME	DATE
	CHECKED BY: CHECKED	UNIT: mm	-1 ±0.10	标记1	修改内容1	姓名1	日期1
	DRAWN BY: yiliangdong	SCALE: --	1-5 ±0.15	标记2	修改内容2	姓名2	日期2
	DATE: 2022-03-28	SHEET: 1/1 A4	5-15 ±0.20	标记3	修改内容3	姓名3	日期3
	B2001立式(180度)端子产品图	VER NO: AO	15-30 ±0.25	标记4	修改内容4	姓名4	日期4
		30- ±0.30	CUSTOMER: ---		Conforms to The RoHS&REACH Instruction		
		(ANGLE) X ±10°					

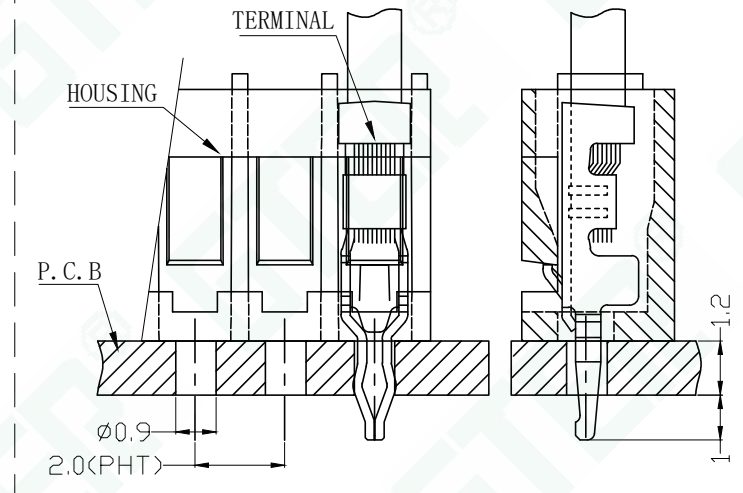
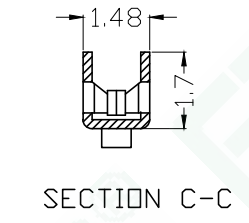
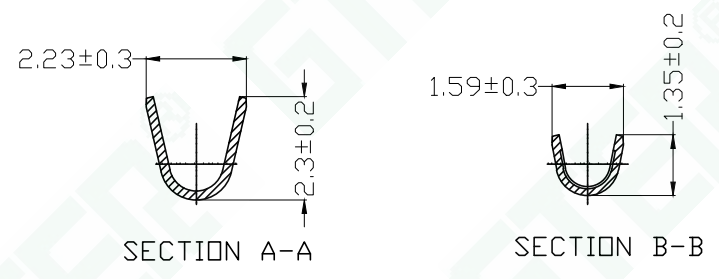


■ Main Specifications

- 额定电流 (Current rating): 2.0A AC, DC
- 额定电压 (Voltage rating): 250V AC, DC
- 温度范围 (Temperature range): -25°C TO + 85°C
- 接触电阻 (Contact resistance): $\leq 20M\Omega$
- 绝缘电阻 (Insulation resistance): $\geq 1000M\Omega$
- 耐电压 (Withstand voltage): 800V AC/minute



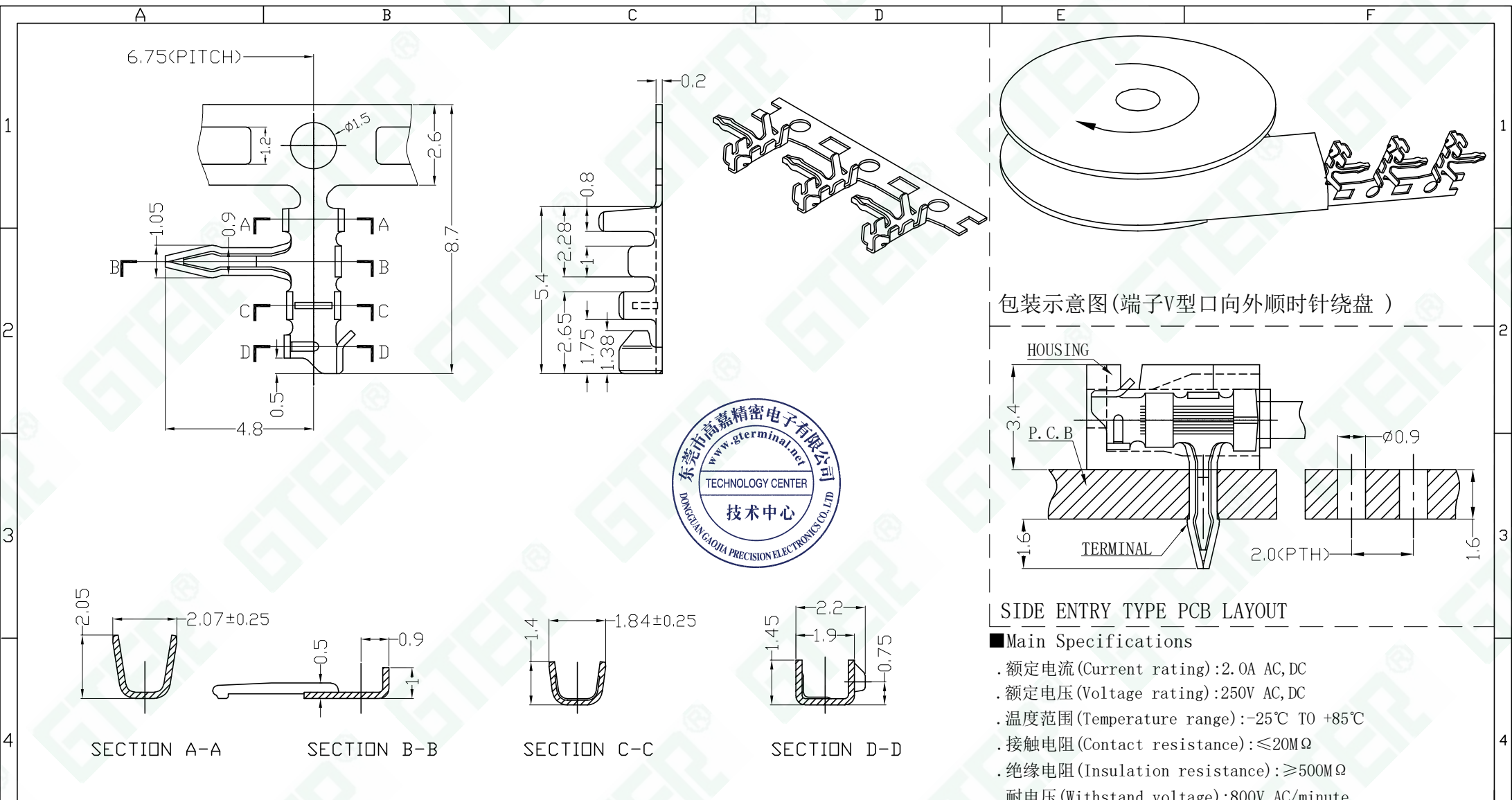
包装示意图 (端子V型口向外顺时针绕盘)



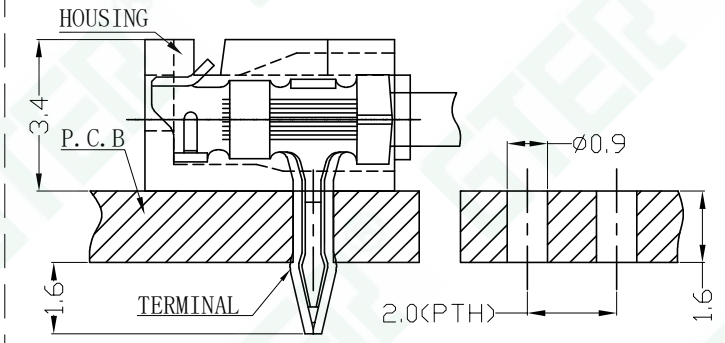
PCB LAYOUT (短款)

规格表	Part No	Wire Range	Insulation O.D	Material	Finish	Qty/reel	Applicab P. C. B Specifications	Features (Used in)
	B2001TV-BTS-短款	AWG#30~#24	1.60 (MAX)	Brasses	Tin-plated	15,000	thickness: 1.2mm, Aperture: $\phi 0.90$ mm.	GJ-B2001 V-TYPE HOUSIN SERIES

GTER ® 东莞市高嘉精密电子有限公司 DONGGUAN GJ PRECISION ELECTRONICS Co.Ltd. PART NO: GJ-B2001TV-BTS-短款 2.0mm BOARD-IN CONNECTOR, PLUG TERMINAL	APPROVED BY: APPROVED	PROJ:	TOLERANCE	LTR	REVISION RECORD		NAME	DATE
	CHECKED BY: CHECKED	UNIT: mm	-1 ±0.10	标记1	修改内容1	姓名1	日期1	
	DRAWN BY: yiliangdong	SCALE: --	1-5 ±0.15	标记2	修改内容2	姓名2	日期2	
	DATE: 2021-11-25	SHEET: 1/1 A4	5-15 ±0.20	标记3	修改内容3	姓名3	日期3	
	B2001立式(180度) 短款端子产品图	VER NO: AO	15-30 ±0.25	标记4	修改内容4	姓名4	日期4	
		30- ±0.30	CUSTOMER: ---		Conforms to The RoHS&REACH Instruction			
		(ANGLE) .X ±10°						



包装示意图(端子V型口向外顺时针绕盘)



SIDE ENTRY TYPE PCB LAYOUT

■ Main Specifications

- 额定电流 (Current rating): 2.0A AC, DC
- 额定电压 (Voltage rating): 250V AC, DC
- 温度范围 (Temperature range): -25°C TO +85°C
- 接触电阻 (Contact resistance): ≤20MΩ
- 绝缘电阻 (Insulation resistance): ≥500MΩ
- 耐电压 (Withstand voltage): 800V AC/minute

规格表	Part No	Wire Range	Insulation O.D	Material	Finish	Qty/reel	Applicab P.C.B Specifications	Features(Used in)
	B2001TR-BTS	AWG#30~#24	1.60 (MAX)	Brasses	Tin-plated	8,000	thickness:1.6mm, Aperture:φ0.90mm.	GJ-B2001 R-TYPE HOUSIN SERIES
	B2001TR-PTS	AWG#30~#24	1.60 (MAX)	Phosphor Bronze	Tin-plated	8,000	thickness:1.6mm, Aperture:φ0.90mm.	GJ-B2001 R-TYPE HOUSIN SERIES

GTER ® 东莞市高嘉精密电子有限公司 DONGGUAN GJ PRECISION ELECTRONICS Co.Ltd. PART NO:GJ-B2001TR-BTS 2.0mm BOARD-IN CONNECTOR, PLUG TERMINAL	APPROVED BY: APPROVED	PROJ:	TOLERANCE	LTR	REVISION RECORD	NAME	DATE
	CHECKED BY: CHECKED	UNIT: mm	-1 ±0.10	标记1	修改内容1	姓名1	日期1
	DRAWN BY: yiliangdong	SCALE: --	1-5 ±0.15	标记2	修改内容2	姓名2	日期2
	DATE: 2022-12-23	SHEET: 1/1 A4	5-15 ±0.20	标记3	修改内容3	姓名3	日期3
	DATE: 2022-12-23	SHEET: 1/1 A4	15-30 ±0.25	标记4	修改内容4	姓名4	日期4
	DATE: 2022-12-23	SHEET: 1/1 A4	30- ±0.30	CUSTOMER: ---		Conforms to The RoHS&REACH Instruction	
	DATE: 2022-12-23	SHEET: 1/1 A4	(ANGLE) .X ±10°				

A

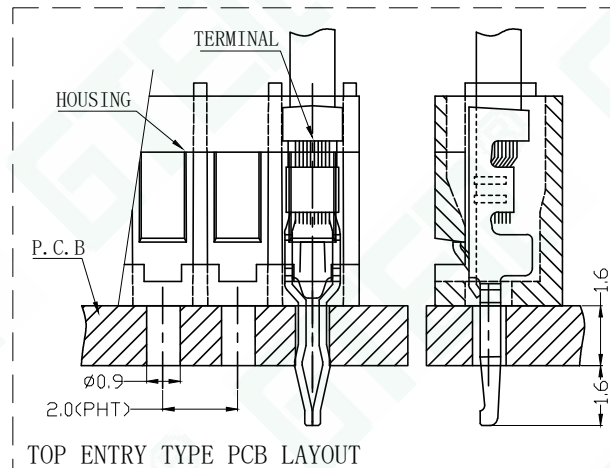
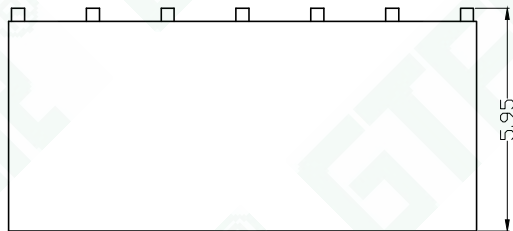
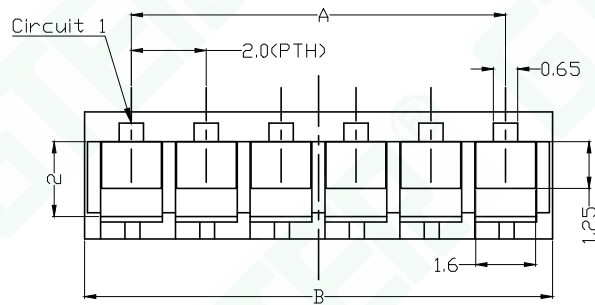
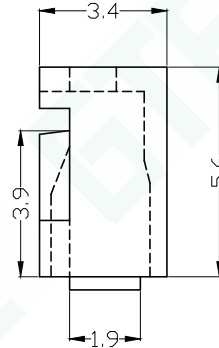
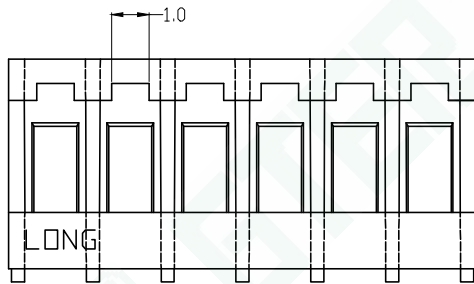
B

C

D

E

F



■ Main Specifications

- 接触电阻 (Contact resistance): $\leq 20\text{m}\Omega$
- 绝缘电阻 (Insulation resistance): $\geq 1000\text{M}\Omega$
- 额定电压 (Rated voltage): 250V AC DC
- 额定电流 (Rated current): 2.0A AC DC
- 耐电压 (Withstand Voltage): 800V AC/minute
- 温度范围 (Temperature Range): $-25^{\circ}\text{C} \sim +85^{\circ}\text{C}$

■ 产品编码简介: GJ-B2001HV-**-AON

① ② ③ ④

1. 系列号;
2. 立式胶壳(180度);
3. Pin位数;
4. Nylon66 UL94V-0 (本色)

■ 适配 GJ-B2001 V-TYPE TERMINAL.

Poles	Dimensions(mm)		Q'ty/ bag
	A	B	
2P	2.00	5.25	1,000
3P	4.00	7.25	1,000
4P	6.00	9.25	1,000
5P	8.00	11.25	1,000
6P	10.00	13.25	1,000
7P	12.00	15.25	1,000
8P	14.00	17.25	1,000
9P	16.00	19.25	1,000
10P	18.00	21.25	1,000
11P	20.00	23.25	1,000
12P	22.00	25.25	1,000
13P	24.00	27.25	1,000
14P	26.00	29.25	1,000
15P	28.00	31.25	1,000
16P	30.00	33.25	1,000

GTER® 东莞市高嘉精密电子有限公司
DONGGUAN GJ PRECISION ELECTRONICS Co.Ltd.

PART NO: GJ-B2001HV-**-AON

2.00mm BOARD-IN CONNECTOR, PLUG HOUSING

APPROVED BY: APPROVED

CHECKED BY: CHECKED

DRAWN BY: yiliangdong

DATE: 2021-11-25

B2001立式胶壳 产品图

PROJ:

UNIT: mm

SCALE: --

SHEET: 1/1 A4

VER NO: AO

TOLERANCE

-1 ± 0.10

1-5 ± 0.15

5-15 ± 0.20

15-30 ± 0.25

30- ± 0.30

(ANGLE) .X $\pm 10^{\circ}$

LTR

标记1

标记2

标记3

标记4

CUSTOMER: ---

REVISION RECORD

修改内容1

修改内容2

修改内容3

修改内容4

NAME

姓名1

姓名2

姓名3

姓名4

DATE

日期1

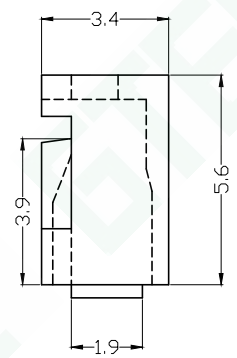
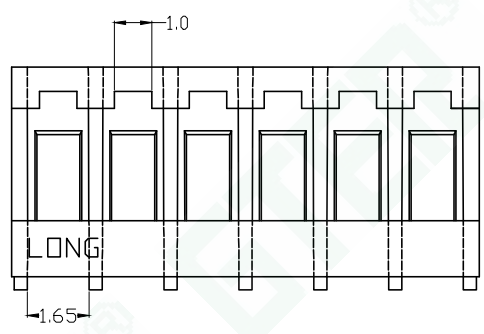
日期2

日期3

日期4

Conforms to The RoHS&REACH Instruction

A B C D E F



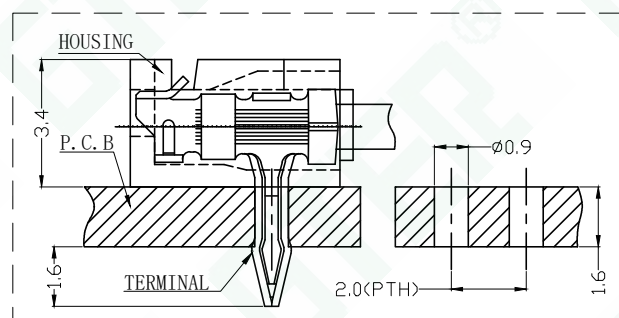
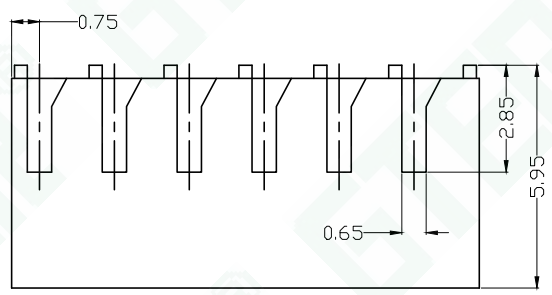
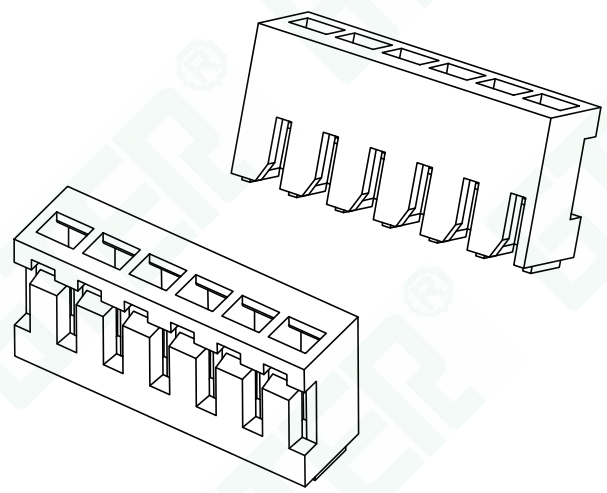
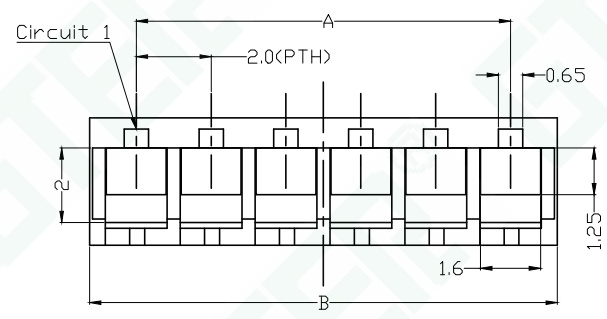
■ Main Specifications

- 接触电阻 (Contact resistance): $\leq 20m\Omega$
- 绝缘电阻 (Insulation resistance): $\geq 1000M\Omega$
- 额定电压 (Rated voltage): 250V AC DC
- 额定电流 (Rated current): 2.0A AC DC
- 耐电压 (Withstand Voltage): 800V AC/minute
- 温度范围 (Temperature Range): $-25^{\circ}C \sim +85^{\circ}C$

■ 产品编码简介: GJ-B2001HR-**-AON
① ② ③ ④

1. 系列号;
2. 卧式胶壳(90度);
3. Pin位数;
4. Nylon66 UL94V-0 (本色)

■ 适配 GJ-B2001 R-TYPE TERMINAL.



Poles	Dimensions(mm)		Q'ty/ bag
	A	B	
2P	2.00	4.50	1,000
3P	4.00	6.50	1,000
4P	6.00	8.50	1,000
5P	8.00	10.50	1,000
6P	10.00	12.50	1,000
7P	12.00	14.50	1,000
8P	14.00	16.50	1,000
9P	16.00	18.50	1,000
10P	18.00	20.50	1,000
11P	20.00	22.50	1,000
12P	22.00	24.50	1,000
13P	24.00	26.50	1,000
14P	26.00	28.50	1,000
15P	28.00	30.50	1,000
16P	30.00	32.50	1,000

SIDE ENTRY TYPE PCB LAYOUT

GTER® 东莞市高嘉精密电子有限公司
DONGGUAN GJ PRECISION ELECTRONICS Co.Ltd.

PART NO: GJ-B2001HR-**-AON

2.00mm BOARD-IN CONNECTOR, PLUG HOUSING

APPROVED BY: APPROVED
CHECKED BY: CHECKED
DRAWN BY: yiliangdong
DATE: 2021-11-25

PROJ: UNIT: mm
SCALE: --
SHEET: 1/1 A4
VER NO: AO

TOLERANCE
-1 ±0.10
1-5 ±0.15
5-15 ±0.20
15-30 ±0.25
30- ±0.30
(ANGLE) .X ±10°

LTR
标记1 修改内容1
标记2 修改内容2
标记3 修改内容3
标记4 修改内容4
CUSTOMER: ---

REVISION RECORD
NAME DATE
姓名1 日期1
姓名2 日期2
姓名3 日期3
姓名4 日期4
Conforms to The RoHS&REACH Instruction

A B C D E F