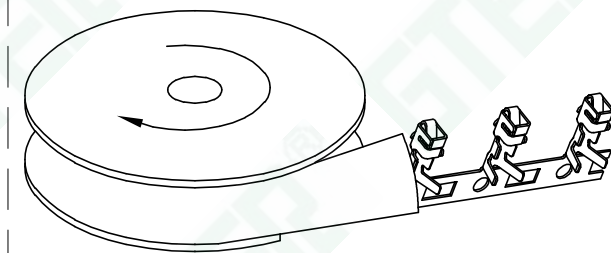
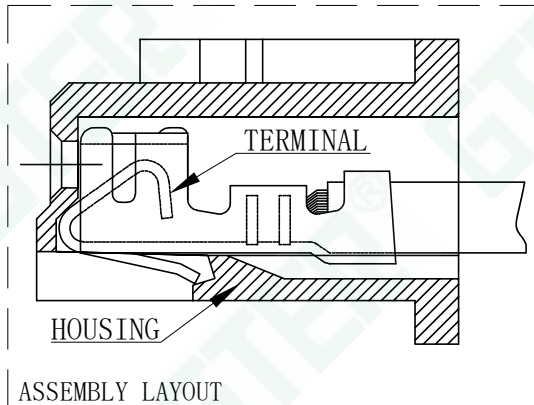
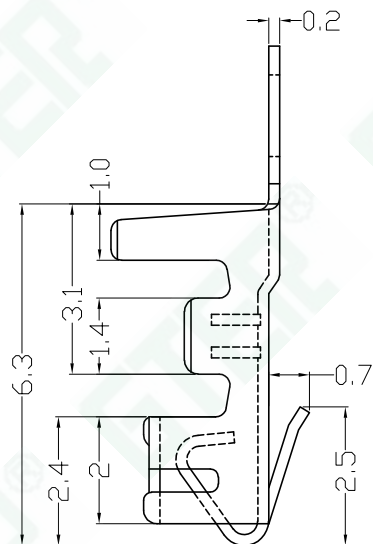
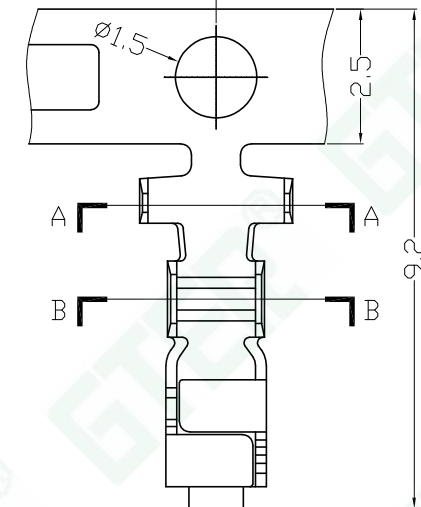
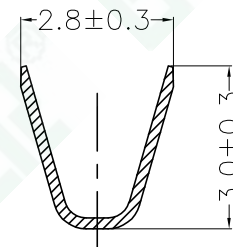
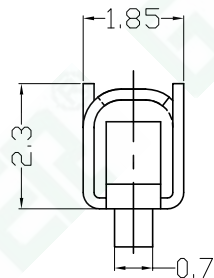
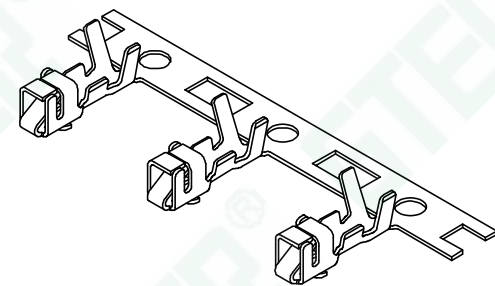


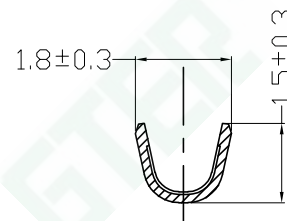
PITCH=7.0



包装示意图(端子V型口向外顺时针绕盘)



SECTION A-A



SECTION B-B

■ Main Specifications

- 额定电流 (Current rating): 3.0A AC, DC
- 额定电压 (Voltage rating): 250V AC, DC
- 温度范围 (Temperature range): -25°C TO + 105°C
- 接触电阻 (Contact resistance): ≤20MΩ
- 绝缘电阻 (Insulation resistance): ≥1000MΩ
- 耐电压 (Withstand voltage): 1000V AC/minute

规格表	Part No	Wire Range	Insulation O.D	Material	Finish	Qty/reel	Features(Used in)	Remark
	A2501TF-PTS	AWG#30~#22	1.70(MAX)	Phosphor Bronze	Tin-plated	10,000	GJ-A2501 SOCKET HOUSIN SERIES	

**GTER**® 东莞市高嘉精密电子有限公司  
DONGGUAN GJ PRECISION ELECTRONICS Co.,Ltd.

APPROVED BY: APPROVED

CHECKED BY: CHECKED

DRAWN BY: yiliangdong

DATE: 2022-04-09

A2501端子 产品图

PROJ:

UNIT: mm

SCALE: --

SHEET: 1/1 A4

VER NO: AO

TOLERANCE

-1 ±0.10

1-5 ±0.15

5-15 ±0.20

15-30 ±0.25

30- ±0.30

(ANGLE) X ±10°

LTR

标记1

标记2

标记3

标记4

CUSTOMER: ---

REVISION RECORD

修改内容1

修改内容2

修改内容3

修改内容4

NAME

姓名1

姓名2

姓名3

姓名4

DATE

日期1

日期2

日期3

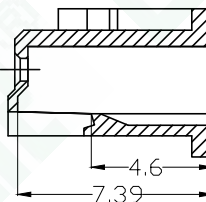
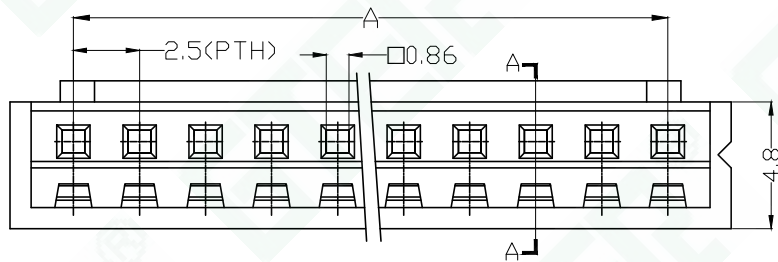
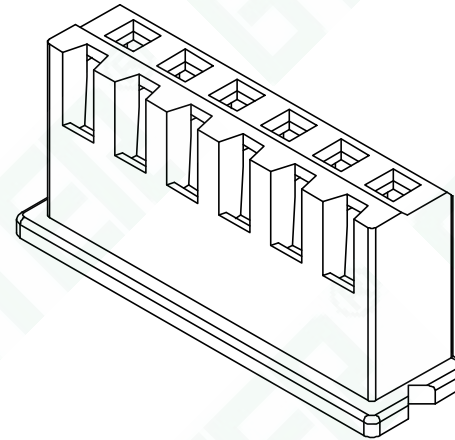
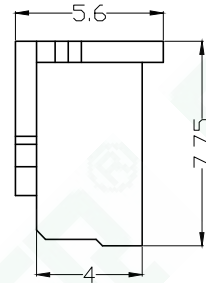
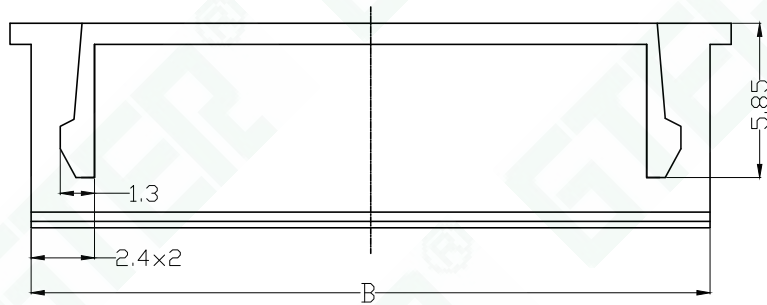
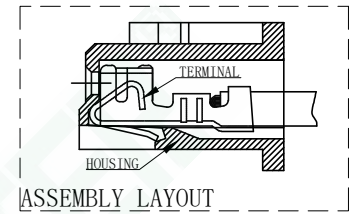
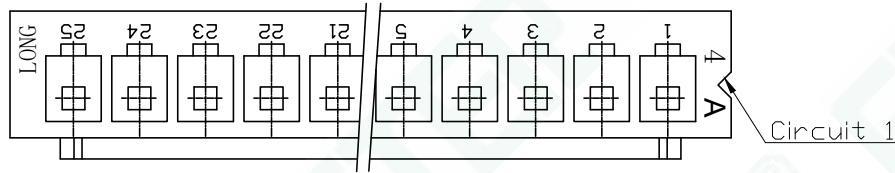
日期4

PART NO: GJ-A2501TF-PTS

2.50mm WIRE TO BOARD CONNECTOR, SOCKET TERMINAL

CUSTOMER: ---

Conforms to The RoHS&REACH Instruction



■ Main Specifications

- 接触电阻 (Contact resistance):  $\leq 20m\Omega$
- 绝缘电阻 (Insulation resistance):  $\geq 1000M\Omega$
- 额定电压 (Rated voltage): 250V AC DC
- 额定电流 (Rated current): 3.0A AC DC
- 耐电压 (Withstand Voltage): 1000V AC/minute
- 温度范围 (Temperature Range):  $-25^{\circ}C \sim +85^{\circ}C$

■ 产品编码简介: GJ-A2501HF-\*\*-AON

① ② ③ ④

1. 系列号;
2. 母胶壳;
3. Pin位数;
4. Nylon66 UL94V-0 (本色)

■ 适配 GJ-A2501 SOCKET TERMINAL.

■ 适配 GJ-W2501 WAFER SERIES.

Poles	Dimensions(mm)		Q'ty/ bag
	A	B	
2P	2.50	5.70	1,000
3P	5.00	8.20	1,000
4P	7.50	10.70	1,000
5P	10.00	13.20	1,000
6P	12.50	15.70	1,000
7P	15.00	18.20	1,000
8P	17.50	20.70	1,000
9P	20.00	23.20	1,000
10P	22.50	25.70	1,000
11P	25.00	28.20	1,000
12P	27.50	30.70	1,000
13P	30.00	33.20	1,000
14P	32.50	35.70	1,000
15P	35.00	38.20	1,000
16P	37.50	40.70	1,000
17P	40.00	43.20	1,000
18P	42.50	45.70	1,000
19P	45.00	48.20	1,000
20P	47.50	50.70	1,000

**GTER**® 东莞市高嘉精密电子有限公司  
DONGGUAN GJ PRECISION ELECTRONICS Co.Ltd.

PART NO: GJ-A2501HF-\*\*-AON

2.50mm WIRE TO BOARD CONNECTOR, SOCKET HOUSING

APPROVED BY: APPROVED

CHECKED BY: CHECKED

DRAWN BY: yiliangdong

DATE: 2021-11-25

A2501胶壳 产品图

PROJ:

UNIT: mm

SCALE: --

SHEET: 1/1 A4

VER NO: AO

TOLERANCE

-1 ±0.10

1-5 ±0.15

5-15 ±0.20

15-30 ±0.25

30- ±0.30

(ANGLE) .X ±10°

LTR

标记1

标记2

标记3

标记4

CUSTOMER: ---

REVISION RECORD

修改内容1

修改内容2

修改内容3

修改内容4

NAME

姓名1

姓名2

姓名3

姓名4

DATE

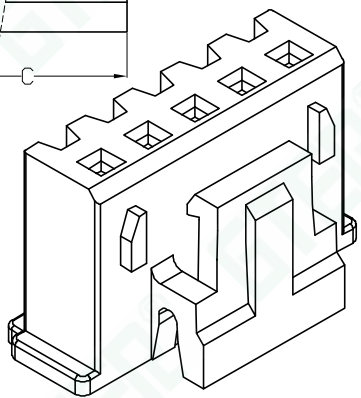
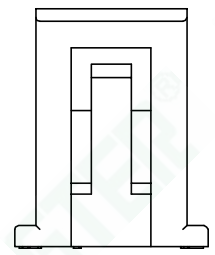
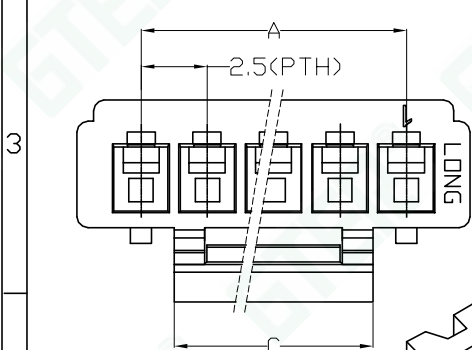
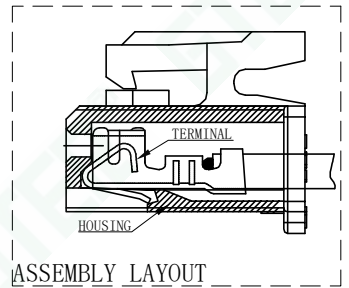
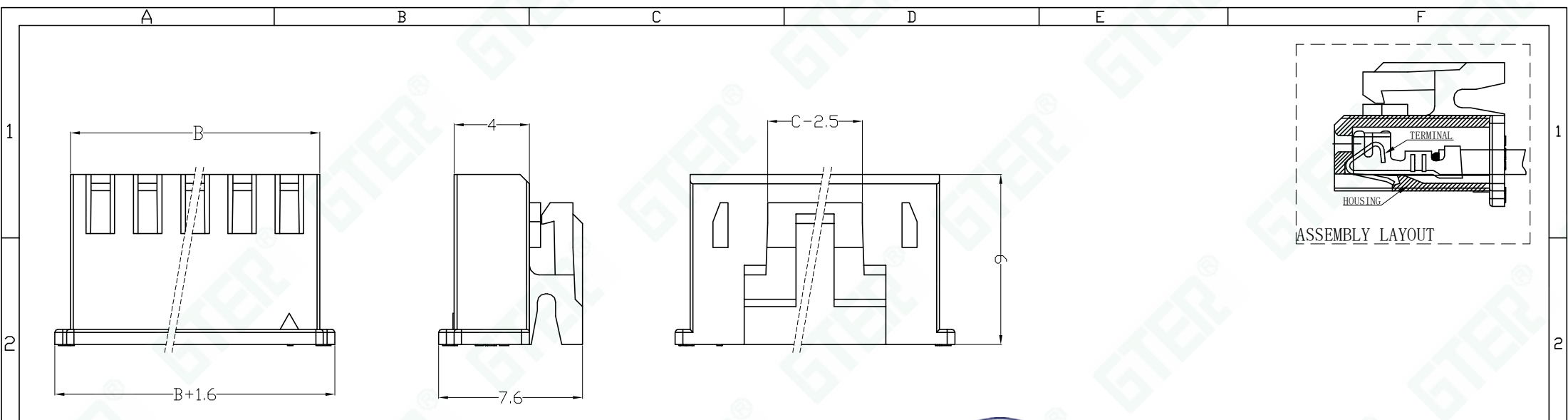
日期1

日期2

日期3

日期4

Conforms to The RoHS&REACH Instruction



- Main Specifications
- . 接触电阻 (Contact resistance):  $\leq 20m\Omega$
  - . 绝缘电阻 (Insulation resistance):  $\geq 1000M\Omega$
  - . 额定电压 (Rated voltage): 250V AC DC
  - . 额定电流 (Rated current): 3.0A AC DC
  - . 耐电压 (Withstand Voltage): 1000V AC/minute
  - . 温度范围 (Temperature Range):  $-25^{\circ}C \sim +85^{\circ}C$
- 产品编码简介: GJ-A2501HF-\*\*-AON-带扣
- ① ② ③ ④
1. 系列号;
  2. 母胶壳;
  3. Pin位数;
  4. Nylon66 UL94V-0 (本色)
- 适配 GJ-A2501 SOCKET TERMINAL.
- 适配 GJ-W2501 WAFER SERIES.

Poles	Dimensions(mm)			Q'ty/ bag
	A	B	C	
2P	2.50	5.70	3.0	1,000
3P	5.00	8.20	4.0	1,000
4P	7.50	10.70	5.0	1,000
5P	10.00	13.20	7.5	1,000
6P	12.50	15.70	10.0	1,000
7P	15.00	18.20	12.5	1,000
8P	17.50	20.70	12.5	1,000
9P	20.00	23.20	12.5	1,000
10P	22.50	25.70	12.5	1,000
11P	25.00	28.20	12.5	1,000
12P	27.50	30.70	12.5	1,000
13P	30.00	33.20	12.5	1,000
14P	32.50	35.70	12.5	1,000
15P	35.00	38.20	12.5	1,000
16P	37.50	40.70	12.5	1,000
17P	40.00	43.20	12.5	1,000
18P	42.50	45.70	12.5	1,000
19P	45.00	48.20	12.5	1,000
20P	47.50	50.70	12.5	1,000

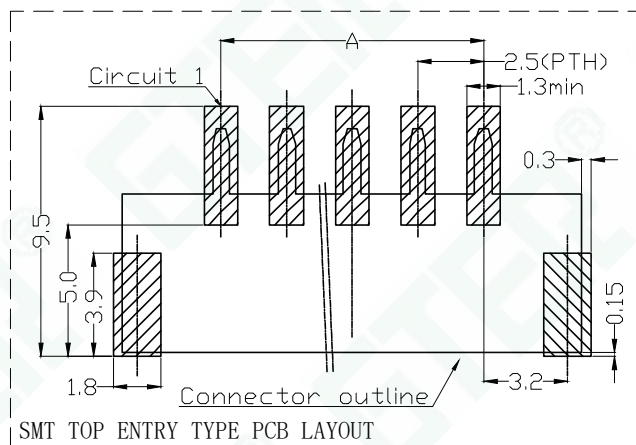
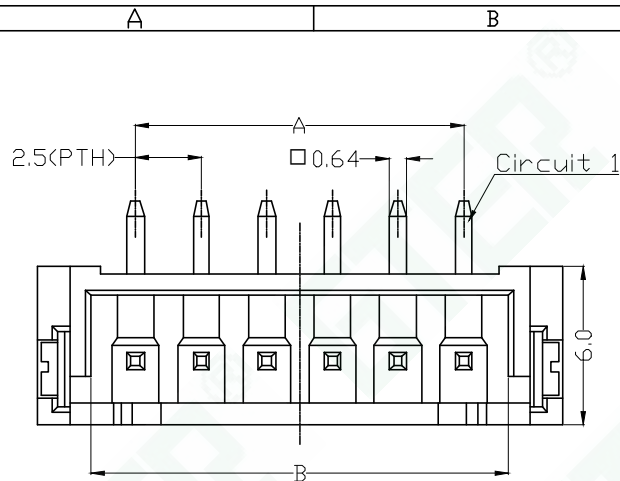
**GTER**® 东莞市高嘉精密电子有限公司  
DONGGUAN GJ PRECISION ELECTRONICS Co.Ltd.

PART NO: GJ-A2501HF-\*\*-AON-带扣

2.50mm WIRE TO BOARD CONNECTOR, SOCKET HOUSING

APPROVED BY: APPROVED	PROJ:
CHECKED BY: CHECKED	UNIT: mm
DRAWN BY: yiliangdong	SCALE: --
DATE: 2023-06-20	SHEET: 1/1 A4
A2501带扣胶壳 产品图	VER NO: AO

TOLERANCE	LTR	REVISION RECORD	NAME	DATE
-1 ±0.10	标记1	修改内容1	姓名1	日期1
1-5 ±0.15	标记2	修改内容2	姓名2	日期2
5-15 ±0.20	标记3	修改内容3	姓名3	日期3
15-30 ±0.25	标记4	修改内容4	姓名4	日期4
30- ±0.30	CUSTOMER: ---			
(ANGLE) .X ±10°	Conforms to The RoHS&REACH Instruction			



■ Main Specifications

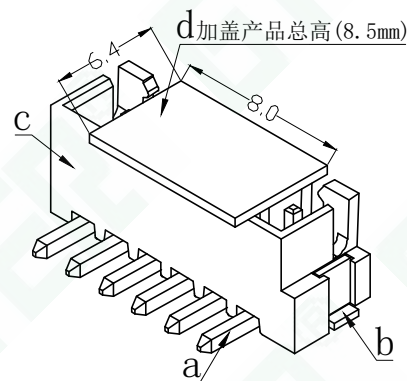
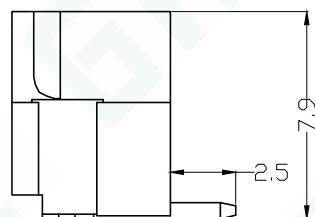
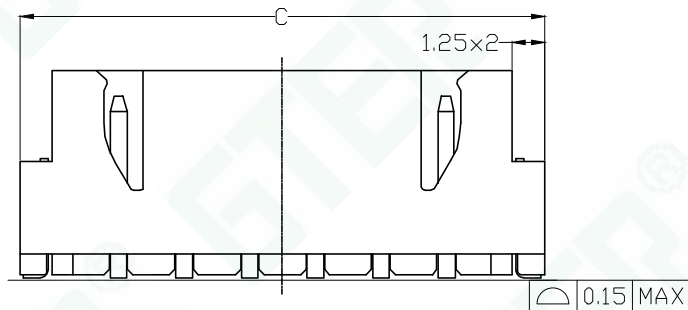
- 接触电阻 (Contact resistance):  $\leq 20m\Omega$
- 绝缘电阻 (Insulation resistance):  $\geq 1000M\Omega$
- 额定电压 (Rated voltage): 250V AC DC
- 额定电流 (Rated current): 3.0A AC DC
- 耐电压 (Withstand Voltage): 1000V AC/minute
- 温度范围 (Temperature Range):  $-25^{\circ}C \sim +105^{\circ}C$
- 线数 (Poles no): 2 to 16 P

■ 产品编码简介: GJ-A2501WVS-\*\*-FON

① ② ③ ④

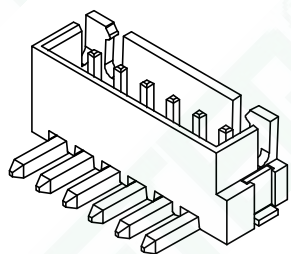
1. 系列号;
2. 立式贴板针座;
3. Pin位数;
4. LCP UL94V-0 (本色)

■ 适配 GJ-A2501 SOCKET HOUSING SERIES.



Poles	Dimensions(mm)			Q'ty/ reel
	A	B	C	
2	2.50	5.90	10.0	700
3	5.00	8.40	12.5	700
4	7.50	10.90	15.0	700
5	10.00	13.40	17.5	700
6	12.50	15.90	20.0	700
7	15.00	18.40	22.5	700
8	17.50	20.90	25.0	700
9	20.00	23.40	27.5	700
10	22.50	25.90	30.0	700
11	25.00	28.40	32.5	700
12	27.50	30.90	35.0	700
13	30.00	33.40	37.5	700
14	32.50	35.90	40.0	700

组成序号	名称	材质
a	0.64方pin针	青铜镀高温亮锡
b	接地片	磷铜镀高温亮锡
c	WAFER 主体	LCP(本色) UL94V-0
d	吸盖	LCP(本色) UL94V-0



**GTER**® 东莞市高嘉精密电子有限公司  
DONGGUAN GJ PRECISION ELECTRONICS Co.Ltd.

PART NO: GJ-A2501WVS-\*\*-FON

2.50mm WIRE TO BOARD CONNECTOR, WAFER (V-SMT TYPE)

APPROVED BY: APPROVED

CHECKED BY: CHECKED

DRAWN BY: yiliangdong

DATE: 2021-11-25

A2501立式贴板针座产品图

PROJ:

UNIT: mm

SCALE: --

SHEET: 1/1 A4

VER NO: AO

TOLERANCE

-1 ±0.10

1-5 ±0.15

5-15 ±0.20

15-30 ±0.25

30- ±0.30

(ANGLE) .X ±10°

LTR

标记1

标记2

标记3

标记4

CUSTOMER: ---

REVISION RECORD

修改内容1

修改内容2

修改内容3

修改内容4

NAME

姓名1

姓名2

姓名3

姓名4

DATE

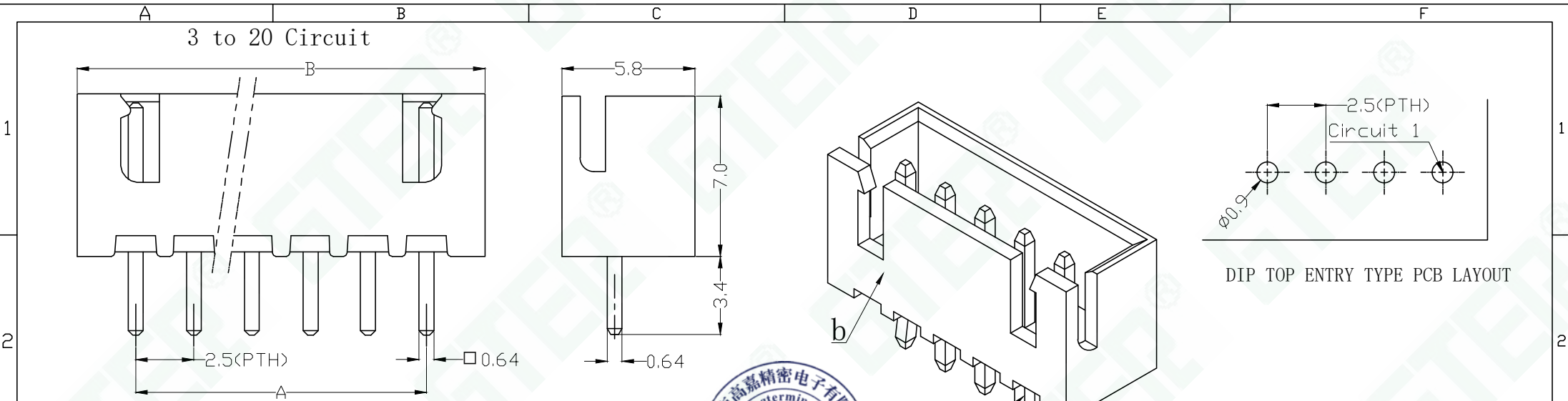
日期1

日期2

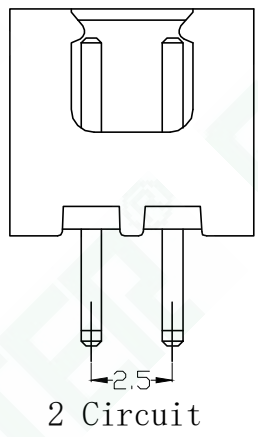
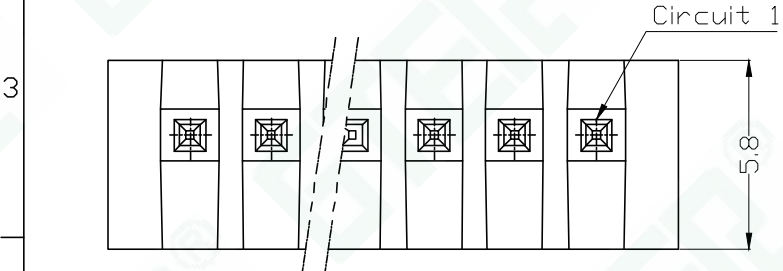
日期3

日期4

Conforms to The RoHS&REACH Instruction



DIP TOP ENTRY TYPE PCB LAYOUT



■ Main Specifications

- 接触电阻 (Contact resistance):  $\leq 20m\Omega$
- 绝缘电阻 (Insulation resistance):  $\geq 1000M\Omega$
- 额定电压 (Rated voltage): 250V AC DC
- 额定电流 (Rated current): 3.0A AC DC
- 耐电压 (Withstand Voltage): 1000V AC/minute
- 温度范围 (Temperature Range):  $-25^{\circ}C \sim +85^{\circ}C$
- 线数 (Poles no): 2 to 20 P

■ 产品编码简介: GJ-A2501WVD-\*\*-AON

1. 系列号; ① ② ③ ④
2. 立式插板针座;
3. Pin位数;
4. Nylon66 UL94V-0 (本色)

■ 适配 GJ-A2501 SOCKET HOUSING SERIES.

■ 适用基板厚度 1.6MM-1.8MM.

Poles	Dimensions(mm)		Q'ty/ bag
	A	B	
2	2.5	7.5	1,000
3	5.0	10.0	1,000
4	7.5	12.5	1,000
5	10.0	15.0	1,000
6	12.5	17.5	1,000
7	15.0	20.0	1,000
8	17.5	22.5	1,000
9	20.0	25.0	1,000
10	22.5	27.5	1,000
11	25.0	30.0	1,000
12	27.5	32.5	1,000
13	30.0	35.0	1,000
14	32.5	37.5	1,000
15	35.0	40.0	1,000
16	37.5	42.5	1,000
17	40.0	45.0	1,000
18	42.5	47.5	1,000
19	45.0	50.0	1,000
20	47.5	52.5	1,000

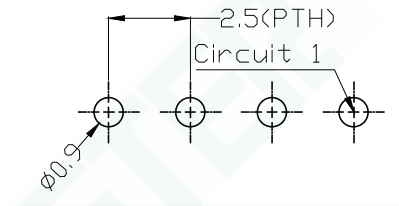
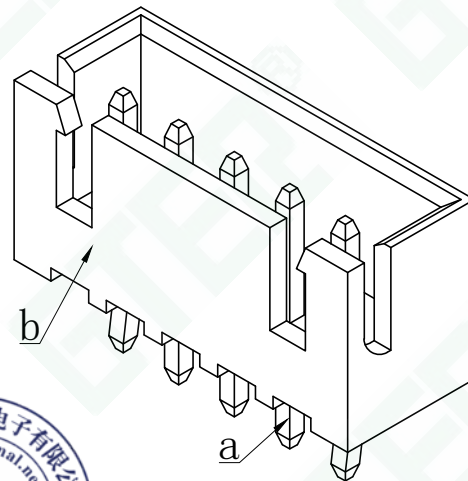
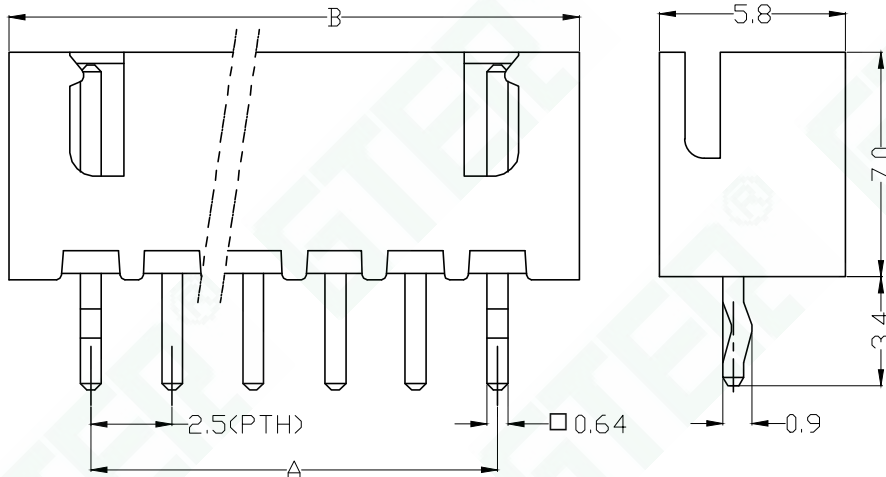
组成序号	名称	材质
a	0.64方pin针	青铜镀高温亮锡
b	胶壳本体	Nylon66 UL94V-0(本色)

**GTER**® 东莞市高嘉精密电子有限公司  
DONGGUAN GJ PRECISION ELECTRONICS Co.Ltd.  
PART NO: GJ-A2501WVD-\*\*-AON  
2.50mm WIRE TO BOARD CONNECTOR, WAFER (V-DIP TYPE)

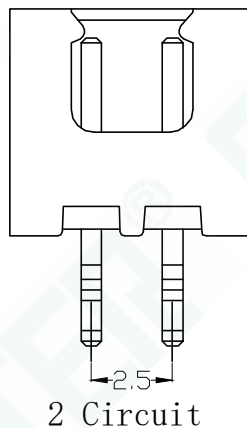
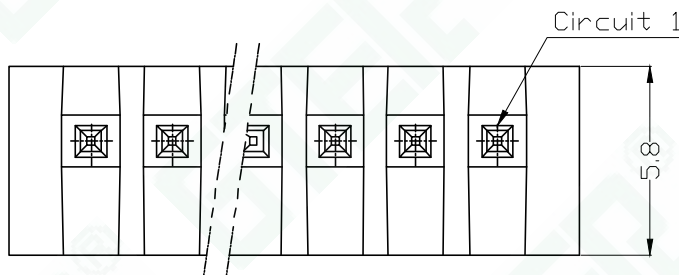
APPROVED BY: APPROVED	PROJ:
CHECKED BY: CHECKED	UNIT: mm
DRAWN BY: yiliangdong	SCALE: --
DATE: 2021-11-25	SHEET: 1/1 A4
A2501立式插板针座产品图	VER NO: AO

TOLERANCE	LTR	REVISION RECORD	NAME	DATE
-1 ±0.10	标记1	修改内容1	姓名1	日期1
1-5 ±0.15	标记2	修改内容2	姓名2	日期2
5-15 ±0.20	标记3	修改内容3	姓名3	日期3
15-30 ±0.25	标记4	修改内容4	姓名4	日期4
30- ±0.30	CUSTOMER: ---			
(ANGLE) .X ±10°	Conforms to The RoHS&REACH Instruction			

3 to 20 Circuit



DIP TOP ENTRY TYPE PCB LAYOUT



■ Main Specifications

- 接触电阻 (Contact resistance):  $\leq 20m\Omega$
- 绝缘电阻 (Insulation resistance):  $\geq 1000M\Omega$
- 额定电压 (Rated voltage): 250V AC DC
- 额定电流 (Rated current): 3.0A AC DC
- 耐电压 (Withstand Voltage): 1000V AC/minute
- 温度范围 (Temperature Range):  $-25^{\circ}C \sim +85^{\circ}C$
- 线数 (Poles no): 2 to 20 P

■ 产品编码简介: GJ-A2501WVD-\*\*-AON-K

① ② ③ ④ ⑤

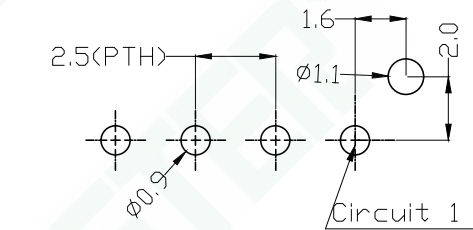
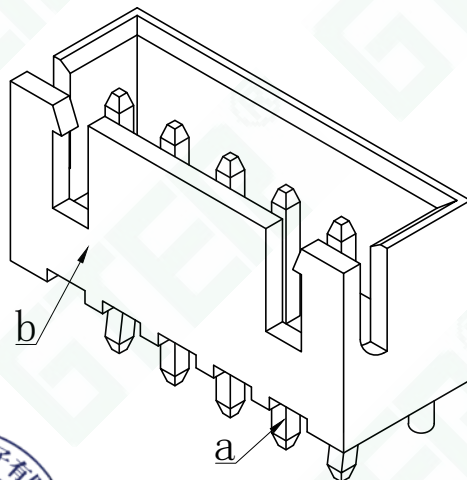
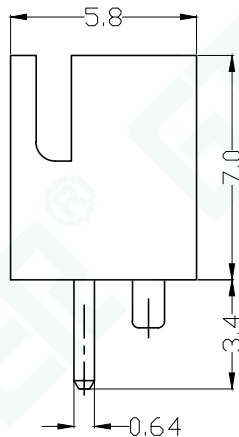
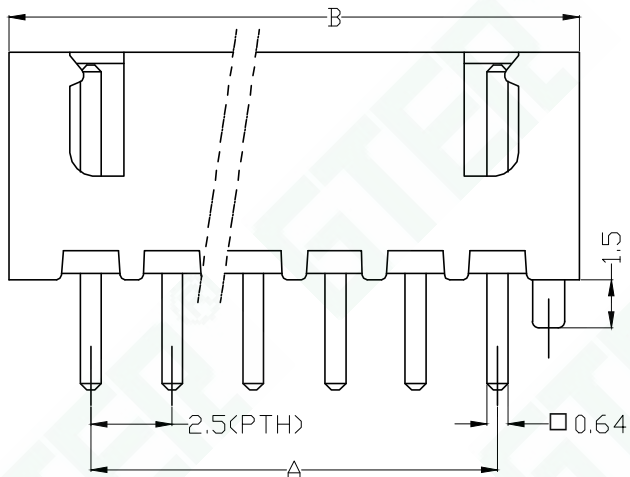
1. 系列号;
  2. 立式插板针座;
  3. Pin位数;
  4. Nylon66 UL94V-0 (本色)
  5. K-带K款, 选用时料号需备注.
- 适配 GJ-A2501 SOCKET HOUSING SERIES.  
■ 适用基板厚度 1.6MM-1.8MM.

Poles	Dimensions(mm)		Q'ty/ bag
	A	B	
2	2.5	7.5	1,000
3	5.0	10.0	1,000
4	7.5	12.5	1,000
5	10.0	15.0	1,000
6	12.5	17.5	1,000
7	15.0	20.0	1,000
8	17.5	22.5	1,000
9	20.0	25.0	1,000
10	22.5	27.5	1,000
11	25.0	30.0	1,000
12	27.5	32.5	1,000
13	30.0	35.0	1,000
14	32.5	37.5	1,000
15	35.0	40.0	1,000
16	37.5	42.5	1,000
17	40.0	45.0	1,000
18	42.5	47.5	1,000
19	45.0	50.0	1,000
20	47.5	52.5	1,000

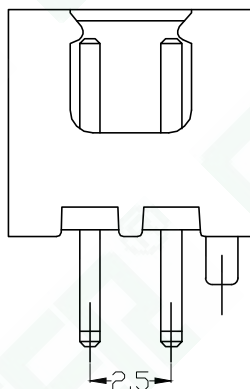
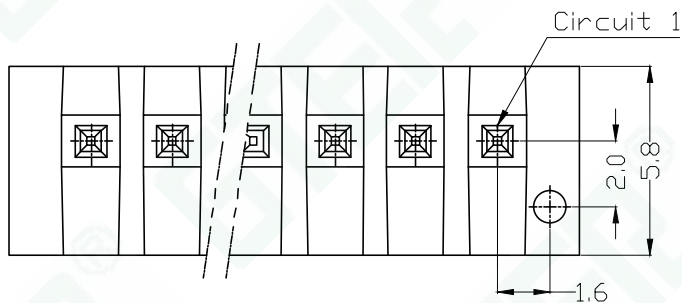
组成序号	名称	材质
a	0.64方pin针	青铜镀高温亮锡
b	胶壳本体	Nylon66 UL94V-0(本色)

<b>GTER</b> ® 东莞市高嘉精密电子有限公司 DONGGUAN GJ PRECISION ELECTRONICS Co.Ltd. PART NO:GJ-A2501WVD-**-AON-K 2.50mm WIRE TO BOARD CONNECTOR, WAFER(V-DIP TYPE)	APPROVED BY: APPROVED	PROJ:	TOLERANCE	LTR	REVISION RECORD	NAME	DATE
	CHECKED BY: CHECKED	UNIT: mm	-1 ±0.10	标记1	修改内容1	姓名1	日期1
	DRAWN BY: yiliangdong	SCALE: --	1-5 ±0.15	标记2	修改内容2	姓名2	日期2
	DATE: 2021-11-25	SHEET: 1/1 A4	5-15 ±0.20	标记3	修改内容3	姓名3	日期3
	A2501立式插板针座产品图	VER NO: AO	15-30 ±0.25	标记4	修改内容4	姓名4	日期4
			30- ±0.30	CUSTOMER: ---		Conforms to The RoHS&REACH Instruction	
			(ANGLE) .X ±10°				

3 to 20 Circuit



DIP TOP ENTRY TYPE PCB LAYOUT



2 Circuit

■ Main Specifications

- 接触电阻 (Contact resistance):  $\leq 20m\Omega$
- 绝缘电阻 (Insulation resistance):  $\geq 1000M\Omega$
- 额定电压 (Rated voltage): 250V AC DC
- 额定电流 (Rated current): 3.0A AC DC
- 耐电压 (Withstand Voltage): 1000V AC/minute
- 温度范围 (Temperature Range):  $-25^{\circ}C \sim +85^{\circ}C$
- 线数 (Poles no): 2 to 20 P

■ 产品编码简介: GJ-A2501WVD-\*\*-AON-P

1. 系列号; ① ② ③ ④ ⑤
2. 立式插板针座;
3. Pin位数;
4. Nylon66 UL94V-0 (本色)
5. P-带定位柱, 选用时需备注。

■ 适配 GJ-A2501 SOCKET HOUSING SERIES.

■ 适用基板厚度 1.6MM-1.8MM.

Poles	Dimensions(mm)		Q'ty/ bag
	A	B	
2	2.5	7.5	1,000
3	5.0	10.0	1,000
4	7.5	12.5	1,000
5	10.0	15.0	1,000
6	12.5	17.5	1,000
7	15.0	20.0	1,000
8	17.5	22.5	1,000
9	20.0	25.0	1,000
10	22.5	27.5	1,000
11	25.0	30.0	1,000
12	27.5	32.5	1,000
13	30.0	35.0	1,000
14	32.5	37.5	1,000
15	35.0	40.0	1,000
16	37.5	42.5	1,000
17	40.0	45.0	1,000
18	42.5	47.5	1,000
19	45.0	50.0	1,000
20	47.5	52.5	1,000

组成序号	名称	材质
a	0.64方pin针	青铜镀高温亮锡
b	胶壳本体	Nylon66 UL94V-0(本色)

**GTER**® 东莞市高嘉精密电子有限公司  
DONGGUAN GJ PRECISION ELECTRONICS Co.Ltd.

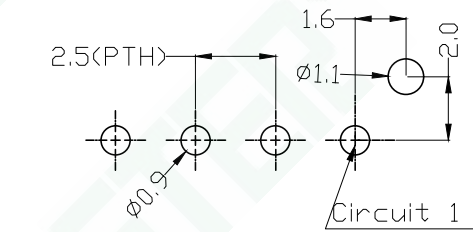
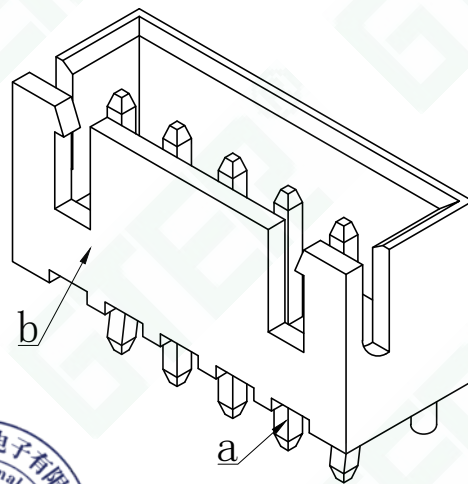
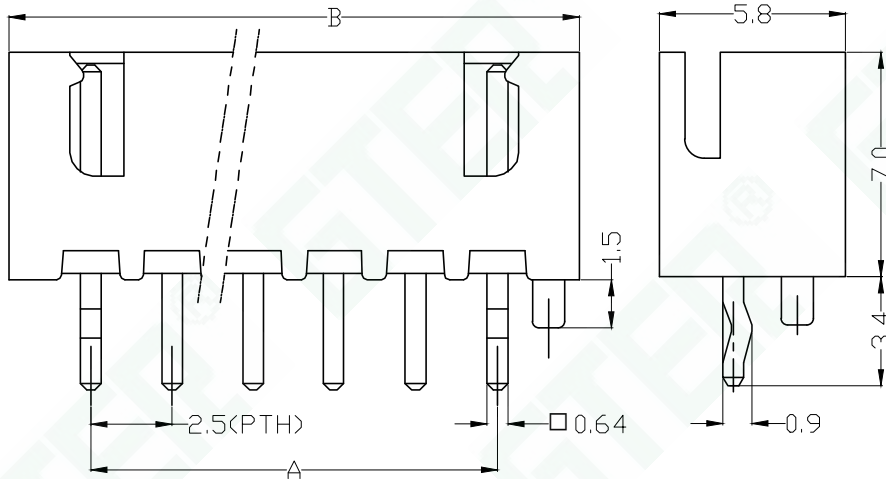
PART NO: GJ-A2501WVD-\*\*-AON-P

2.50mm WIRE TO BOARD CONNECTOR, WAFER (V-DIP TYPE)

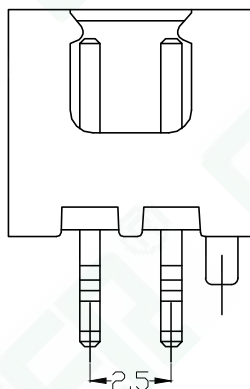
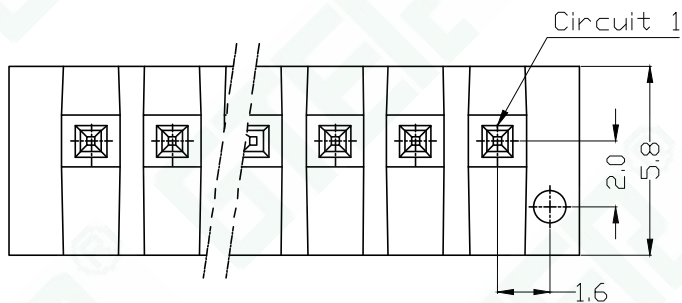
APPROVED BY: APPROVED	PROJ:
CHECKED BY: CHECKED	UNIT: mm
DRAWN BY: yiliangdong	SCALE: --
DATE: 2021-11-25	SHEET: 1/1 A4
A2501立式插板针座产品图	VER NO: AO

TOLERANCE	LTR	REVISION RECORD	NAME	DATE
-1 ±0.10	标记1	修改内容1	姓名1	日期1
1-5 ±0.15	标记2	修改内容2	姓名2	日期2
5-15 ±0.20	标记3	修改内容3	姓名3	日期3
15-30 ±0.25	标记4	修改内容4	姓名4	日期4
30- ±0.30	CUSTOMER: ---			
(ANGLE) .X ±10°	Conforms to The RoHS&REACH Instruction			

3 to 20 Circuit



DIP TOP ENTRY TYPE PCB LAYOUT



■ Main Specifications

- 接触电阻 (Contact resistance):  $\leq 20m\Omega$
- 绝缘电阻 (Insulation resistance):  $\geq 1000M\Omega$
- 额定电压 (Rated voltage): 250V AC DC
- 额定电流 (Rated current): 3.0A AC DC
- 耐电压 (Withstand Voltage): 1000V AC/minute
- 温度范围 (Temperature Range):  $-25^{\circ}C \sim +85^{\circ}C$
- 线数 (Poles no): 2 to 20 P

■ 产品编码简介: GJ-A2501WVD-\*\*-AON-PK

① ② ③ ④ ⑤

1. 系列号;
2. 立式插板针座;
3. Pin位数;
4. Nylon66 UL94V-0 (本色)
5. PK-带定位柱带K, 选用时需备注。

■ 适配 GJ-A2501 SOCKET HOUSING SERIES.

■ 适用基板厚度 1.6MM-1.8MM.

Poles	Dimensions(mm)		Q'ty/ bag
	A	B	
2	2.5	7.5	1,000
3	5.0	10.0	1,000
4	7.5	12.5	1,000
5	10.0	15.0	1,000
6	12.5	17.5	1,000
7	15.0	20.0	1,000
8	17.5	22.5	1,000
9	20.0	25.0	1,000
10	22.5	27.5	1,000
11	25.0	30.0	1,000
12	27.5	32.5	1,000
13	30.0	35.0	1,000
14	32.5	37.5	1,000
15	35.0	40.0	1,000
16	37.5	42.5	1,000
17	40.0	45.0	1,000
18	42.5	47.5	1,000
19	45.0	50.0	1,000
20	47.5	52.5	1,000

组成序号	名称	材质
a	0.64方pin针	青铜镀高温亮锡
b	胶壳本体	Nylon66 UL94V-0(本色)

**GTER**® 东莞市高嘉精密电子有限公司  
DONGGUAN GJ PRECISION ELECTRONICS Co.Ltd.

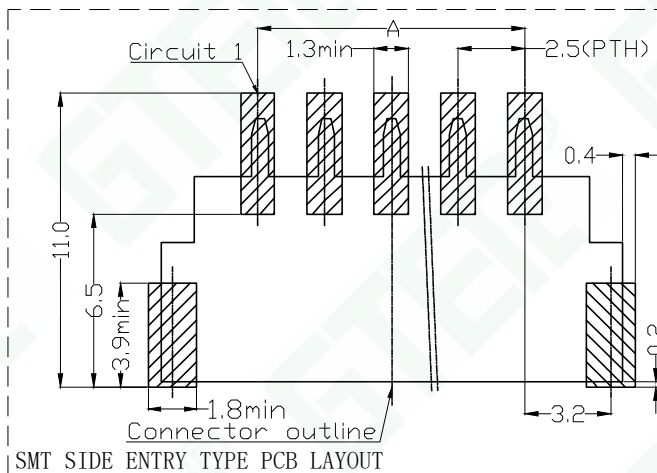
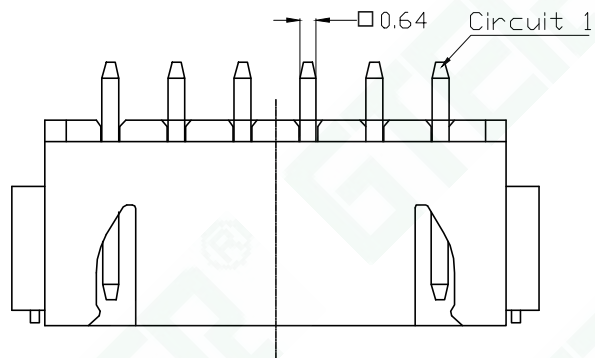
PART NO:GJ-A2501WVD-\*\*-AON-PK

2.50mm WIRE TO BOARD CONNECTOR, WAFER (V-DIP TYPE)

APPROVED BY: APPROVED	PROJ:
CHECKED BY: CHECKED	UNIT: mm
DRAWN BY: yiliangdong	SCALE: --
DATE: 2021-11-25	SHEET: 1/1 A4
A2501立式插板针座产品图	VER NO: AO

TOLERANCE	LTR	REVISION RECORD	NAME	DATE
-1 ±0.10	标记1	修改内容1	姓名1	日期1
1-5 ±0.15	标记2	修改内容2	姓名2	日期2
5-15 ±0.20	标记3	修改内容3	姓名3	日期3
15-30 ±0.25	标记4	修改内容4	姓名4	日期4
30- ±0.30	CUSTOMER: ---			
(ANGLE) .X ±10°	Conforms to The RoHS&REACH Instruction			





■ Main Specifications

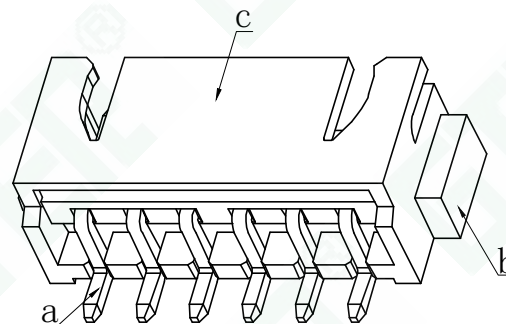
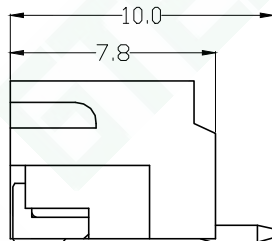
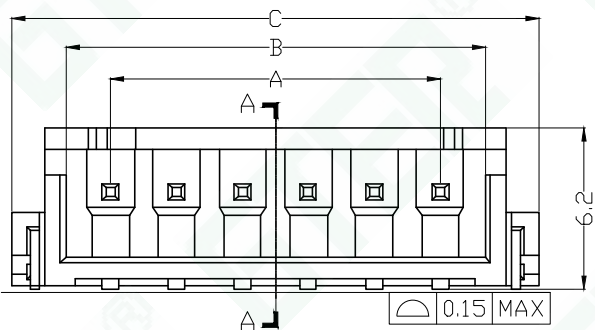
- . 接触电阻 (Contact resistance):  $\leq 20m\Omega$
- . 绝缘电阻 (Insulation resistance):  $\geq 1000M\Omega$
- . 额定电压 (Rated voltage): 250V AC DC
- . 额定电流 (Rated current): 3.0A AC DC
- . 耐电压 (Withstand Voltage): 1000V AC/minute
- . 温度范围 (Temperature Range):  $-25^{\circ}C \sim +105^{\circ}C$
- . 线数 (Poles no): 2 to 16 P

■ 产品编码简介: GJ-A2501WVD-\*\*-FON

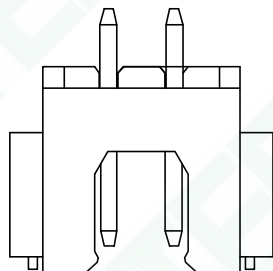
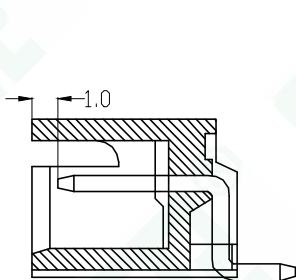
① ② ③ ④

1. 系列号;
2. 卧式贴板针座;
3. Pin位数;
4. LCP UL94V-0 (本色)

■ 适配 GJ-A2501 SOCKET HOUSING SERIES.



Poles	Dimensions(mm)			Q'ty/ reel
	A	B	C	
2	2.50	5.90	10.0	700
3	5.00	8.40	12.5	700
4	7.50	10.90	15.0	700
5	10.00	13.40	17.5	700
6	12.50	15.90	20.0	700
7	15.00	18.40	22.5	700
8	17.50	20.90	25.0	700
9	20.00	23.40	27.5	700
10	22.50	25.90	30.0	700
11	25.00	28.40	32.5	700
12	27.50	30.90	35.0	700
13	30.00	33.40	37.5	700
14	32.50	35.90	40.0	700



组成序号	名称	材质
a	0.64方pin针	青铜镀高温亮锡
b	接地片	磷铜镀高温亮锡
c	WAFER 主体	LCP(本色) UL94V-0

**GTER**® 东莞市高嘉精密电子有限公司  
DONGGUAN GJ PRECISION ELECTRONICS Co.Ltd.

PART NO: GJ-A2501WRS-\*\*-FON

2.50mm WIRE TO BOARD CONNECTOR, WAFER (V-SMT TYPE)

APPROVED BY: APPROVED

CHECKED BY: CHECKED

DRAWN BY: yiliangdong

DATE: 2021-11-25

A2501卧式贴板针座产品图

PROJ:

UNIT: mm

SCALE: --

SHEET: 1/1 A4

VER NO: AO

TOLERANCE

-1 ±0.10

1-5 ±0.15

5-15 ±0.20

15-30 ±0.25

30- ±0.30

(ANGLE) .X ±10°

LTR

标记1

标记2

标记3

标记4

CUSTOMER: ---

REVISION RECORD

修改内容1

修改内容2

修改内容3

修改内容4

NAME

姓名1

姓名2

姓名3

姓名4

DATE

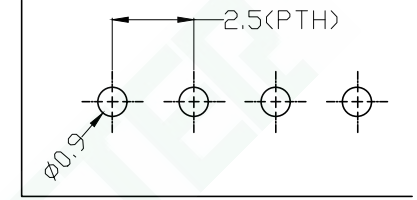
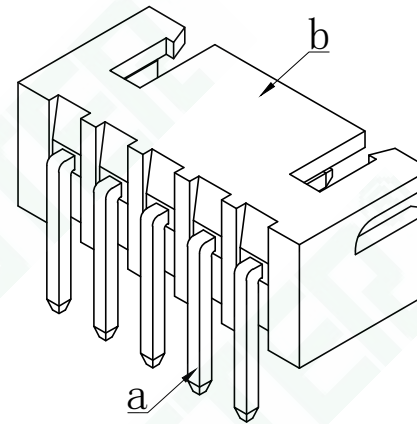
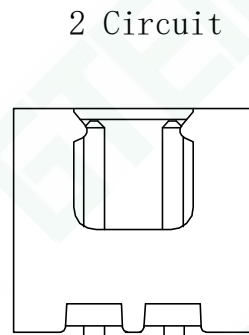
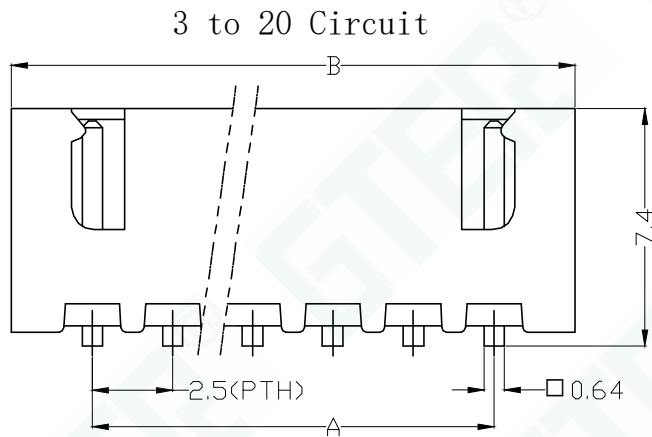
日期1

日期2

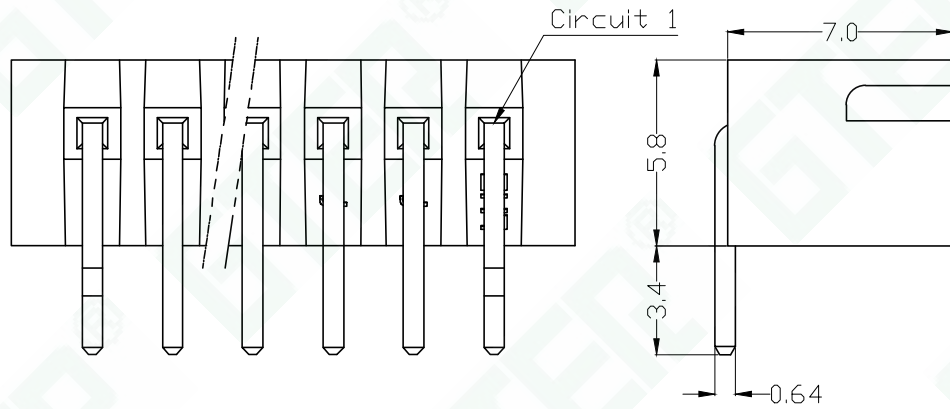
日期3

日期4

Conforms to The RoHS&REACH Instruction



DIP SIDE ENTRY TYPE PCB LAYOUT



■ Main Specifications

- 接触电阻 (Contact resistance):  $\leq 20m\Omega$
- 绝缘电阻 (Insulation resistance):  $\geq 1000M\Omega$
- 额定电压 (Rated voltage): 250V AC DC
- 额定电流 (Rated current): 3.0A AC DC
- 耐电压 (Withstand Voltage): 1000V AC/minute
- 温度范围 (Temperature Range):  $-25^{\circ}C \sim +85^{\circ}C$
- 线数 (Poles no): 2 to 20 P

■ 产品编码简介: GJ-A2501WRD-\*\*-AON

- ① ② ③ ④

1. 系列号;
2. 卧式插板针座;
3. Pin位数;
4. Nylon66 UL94V-0 (本色)

■ 适配 GJ-A2501 SOCKET HOUSING SERIES.

■ 适用基板厚度 1.6MM-1.8MM.

Poles	Dimensions(mm)		Q'ty/ bag
	A	B	
2	2.5	7.5	1,000
3	5.0	10.0	1,000
4	7.5	12.5	1,000
5	10.0	15.0	1,000
6	12.5	17.5	1,000
7	15.0	20.0	1,000
8	17.5	22.5	1,000
9	20.0	25.0	1,000
10	22.5	27.5	1,000
11	25.0	30.0	1,000
12	27.5	32.5	1,000
13	30.0	35.0	1,000
14	32.5	37.5	1,000
15	35.0	40.0	1,000
16	37.5	42.5	1,000
17	40.0	45.0	1,000
18	42.5	47.5	1,000
19	45.0	50.0	1,000
20	47.5	52.5	1,000

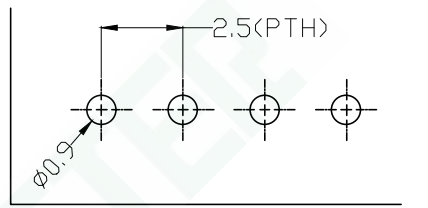
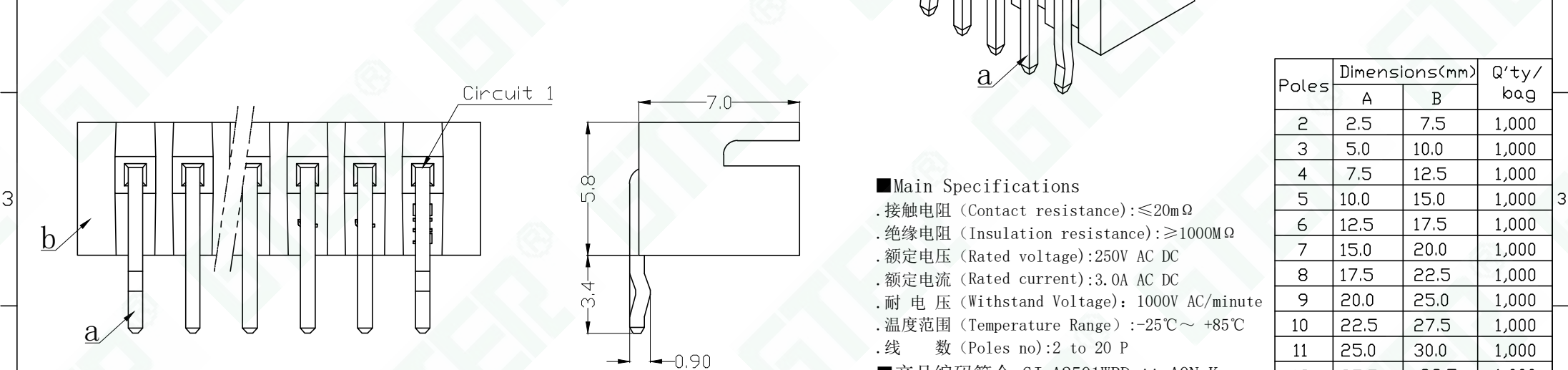
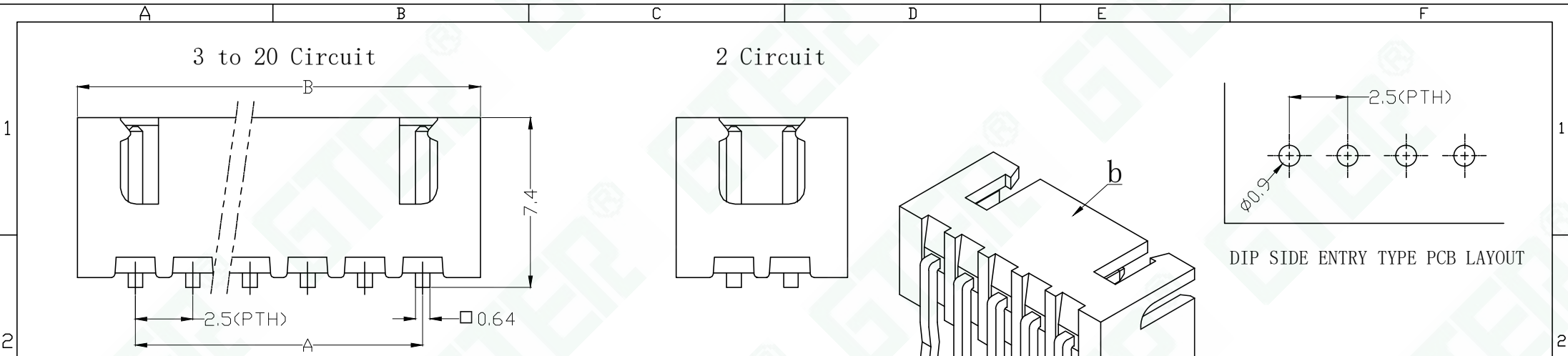


组成序号	名称	材质
a	0.64方pin针	青铜镀高温亮锡
b	胶壳本体	Nylon66 UL94V-0(本色)

**GTER**® 东莞市高嘉精密电子有限公司  
DONGGUAN GJ PRECISION ELECTRONICS Co.Ltd.  
PART NO: GJ-A2501WRD-\*\*-AON  
2.50mm WIRE TO BOARD CONNECTOR, WAFER (R-DIP TYPE)

APPROVED BY: APPROVED	PROJ:
CHECKED BY: CHECKED	UNIT: mm
DRAWN BY: yiliangdong	SCALE: --
DATE: 2021-11-25	SHEET: 1/1 A4
A2501卧式插板针座产品图	VER NO: AO

TOLERANCE	LTR	REVISION RECORD	NAME	DATE
-1 ±0.10	标记1	修改内容1	姓名1	日期1
1-5 ±0.15	标记2	修改内容2	姓名2	日期2
5-15 ±0.20	标记3	修改内容3	姓名3	日期3
15-30 ±0.25	标记4	修改内容4	姓名4	日期4
30- ±0.30	CUSTOMER: ---			
(ANGLE) .X ±10°	Conforms to The RoHS&REACH Instruction			



DIP SIDE ENTRY TYPE PCB LAYOUT

Poles	Dimensions(mm)		Q'ty/ bag
	A	B	
2	2.5	7.5	1,000
3	5.0	10.0	1,000
4	7.5	12.5	1,000
5	10.0	15.0	1,000
6	12.5	17.5	1,000
7	15.0	20.0	1,000
8	17.5	22.5	1,000
9	20.0	25.0	1,000
10	22.5	27.5	1,000
11	25.0	30.0	1,000
12	27.5	32.5	1,000
13	30.0	35.0	1,000
14	32.5	37.5	1,000
15	35.0	40.0	1,000
16	37.5	42.5	1,000
17	40.0	45.0	1,000
18	42.5	47.5	1,000
19	45.0	50.0	1,000
20	47.5	52.5	1,000

■ Main Specifications

- 接触电阻 (Contact resistance):  $\leq 20m\Omega$
- 绝缘电阻 (Insulation resistance):  $\geq 1000M\Omega$
- 额定电压 (Rated voltage): 250V AC DC
- 额定电流 (Rated current): 3.0A AC DC
- 耐电压 (Withstand Voltage): 1000V AC/minute
- 温度范围 (Temperature Range):  $-25^{\circ}C \sim +85^{\circ}C$
- 线数 (Poles no): 2 to 20 P

■ 产品编码简介: GJ-A2501WRD-\*\*-AON-K

- ① ② ③ ④ ⑤

1. 系列号;
2. 卧式插板针座;
3. Pin位数;
4. Nylon66 UL94V-0 (本色)
5. K-带K款, 选用时需备注。

■ 适配 GJ-A2501 SOCKET HOUSING SERIES.

■ 适用基板厚度 1.6MM-1.8MM.



组成序号	名称	材质
a	0.64方pin针	青铜镀高温亮锡
b	胶壳本体	Nylon66 UL94V-0(本色)

<b>GTER</b> ® 东莞市高嘉精密电子有限公司 DONGGUAN GJ PRECISION ELECTRONICS Co.Ltd. PART NO: GJ-A2501WRD-**-AON-K 2.50mm WIRE TO BOARD CONNECTOR, WAFER (R-DIP TYPE)	APPROVED BY: APPROVED	PROJ:	TOLERANCE	LTR	REVISION RECORD		NAME	DATE
	CHECKED BY: CHECKED	UNIT: mm	-1 ±0.10	标记1	修改内容1		姓名1	日期1
	DRAWN BY: yiliangdong	SCALE: --	1-5 ±0.15	标记2	修改内容2		姓名2	日期2
	DATE: 2021-11-25	SHEET: 1/1 A4	5-15 ±0.20	标记3	修改内容3		姓名3	日期3
	A2501卧式插板针座产品图	VER NO: AO	15-30 ±0.25	标记4	修改内容4		姓名4	日期4
			30- ±0.30	CUSTOMER: ---		Conforms to The RoHS&REACH Instruction		
			(ANGLE) .X ±10°					