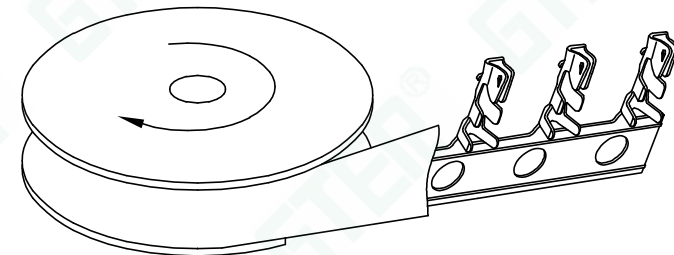
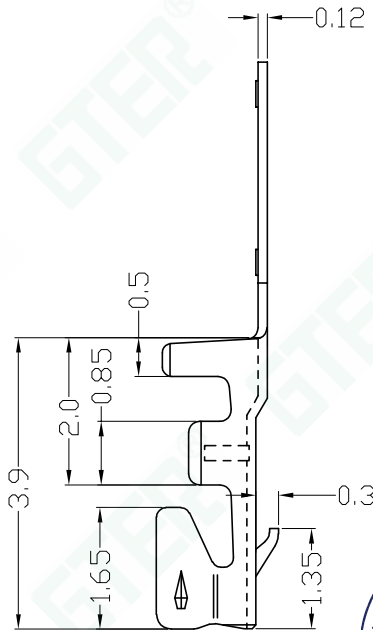
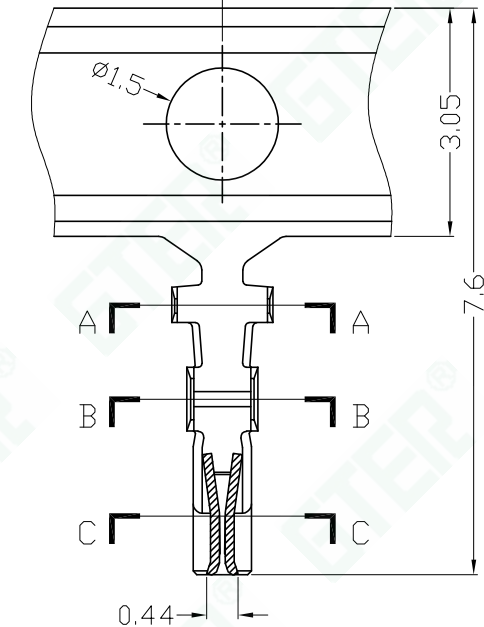
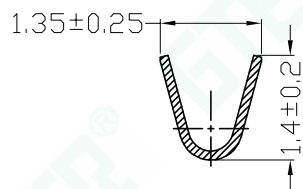
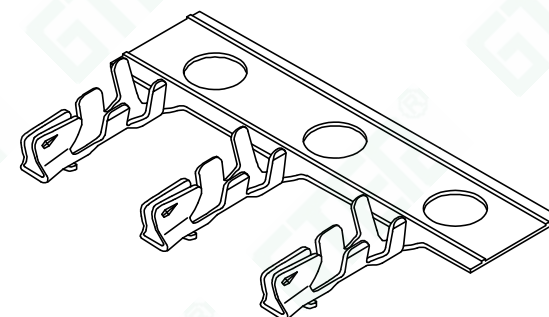


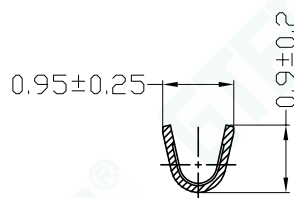
PITCH=4.0



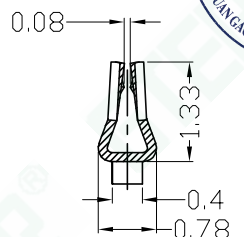
包装示意图(端子V型口向外顺时针绕盘)



SECTION A-A



SECTION B-B



SECTION C-C



■ Main Specifications

- 额定电流 (Current rating): 1.0A AC, DC
- 额定电压 (Voltage rating): 50V AC, DC
- 温度范围 (Temperature range): -25°C TO +85°C
- 接触电阻 (Contact resistance): ≤20MΩ
- 绝缘电阻 (Insulation resistance): ≥100MΩ
- 耐电压 (Withstand voltage): 500V AC/minute

规格表	Part No	Wire Range	Insulation O.D	Material	Finish	Qty/reel	Features (Used in)	Remark
	A1005TF-PTS	AWG#32~#28	0.80 (MAX)	Phosphor Bronze	Tin-plated	20,000	GJ-A1005 SOCKET HOUSIN SERIES	JST-NSHD1.0 TERMINAL

GTER® 东莞市高嘉精密电子有限公司
DONGGUAN GJ PRECISION ELECTRONICS Co.Ltd.

PART NO: GJ-A1005TF-PTS

1.00mm WIRE TO BOARD CONNECTOR, SOCKET TERMINAL

APPROVED BY: APPROVED

CHECKED BY: CHECKED

DRAWN BY: yiliangdong

DATE: 2024-03-19

A1005端子 产品图

PROJ:

UNIT: mm

SCALE: --

SHEET: 1/1 A4

VER NO: AO

TOLERANCE

-1 ±0.10

1-5 ±0.15

5-15 ±0.20

15-30 ±0.25

30- ±0.30

(ANGLE) .X ±10°

LTR

标记1

标记2

标记3

标记4

REVISION RECORD

修改内容1

修改内容2

修改内容3

修改内容4

NAME

姓名1

姓名2

姓名3

姓名4

DATE

日期1

日期2

日期3

日期4

CUSTOMER: ---

Conforms to The RoHS&REACH Instruction

■ Main Specifications

- 接触电阻 (Contact resistance): $\leq 20m\Omega$
- 绝缘电阻 (Insulation resistance): $\geq 100M\Omega$
- 额定电压 (Rated voltage): 50V AC DC
- 额定电流 (Rated current): 1.0A AC DC
- 耐电压 (Withstand Voltage): 500V AC/minute
- 温度范围 (Temperature Range): $-25^{\circ}C \sim +85^{\circ}C$

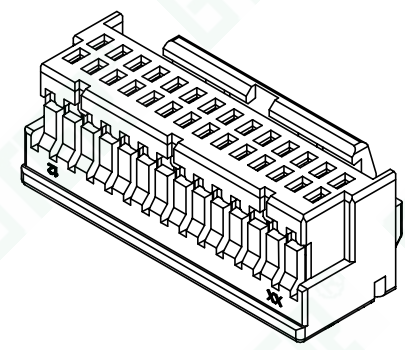
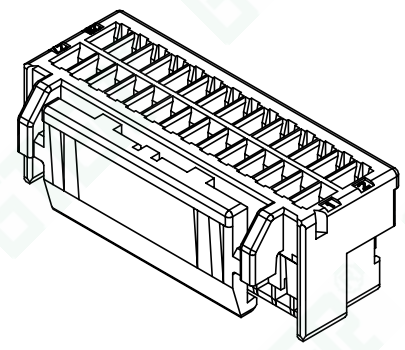
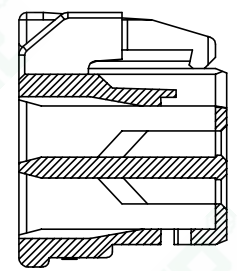
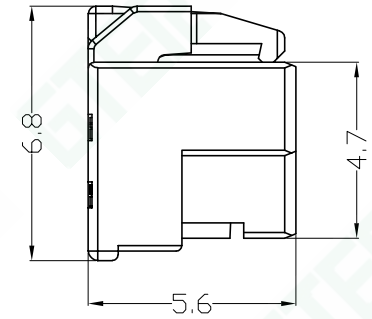
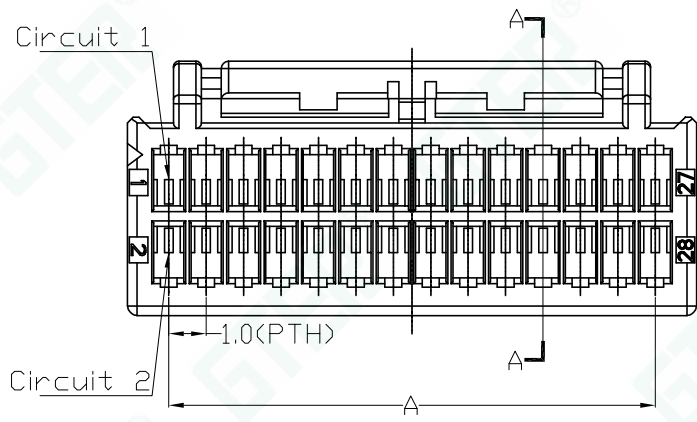
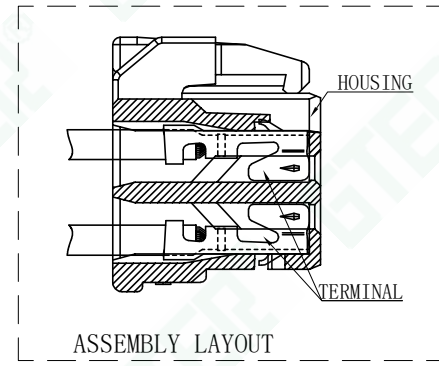
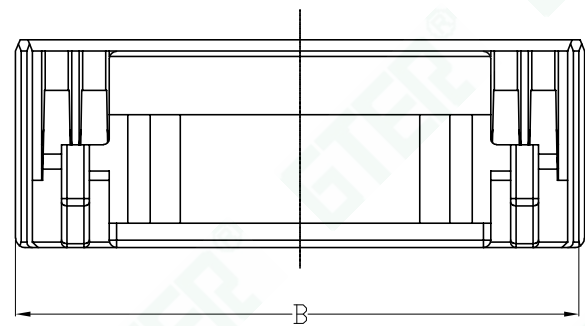
■ 产品编码简: GJ-A1005HF-**-AON
① ② ③ ④

1. 系列号;
2. 母胶壳;
3. Pin位数;
4. Nylon66 UL94V-0 (本色)

■ 包装 PE袋包装, 每袋1,000PCS.

■ 适配 GJ-W1005 WAFER SERIES.

■ 适配 GJ-A1005 SOCKET TERMINAL.



Poles	Dimensions(mm)	
	A	B
08X2	7.0	9.2
10X2	9.0	11.2
12X2	11.0	13.2
14X2	13.0	15.2
16X2	15.0	17.2
20X2	19.0	21.2

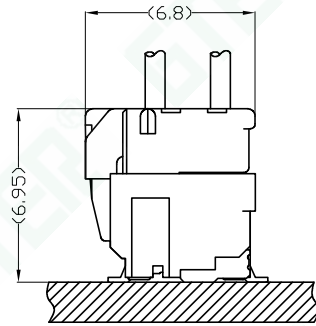
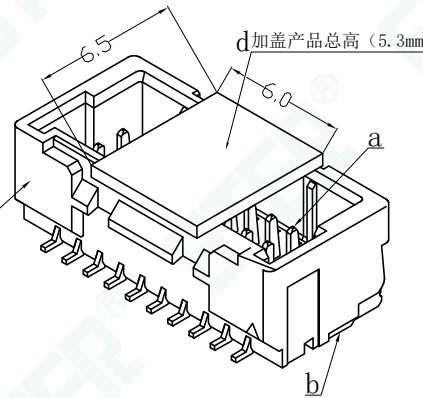
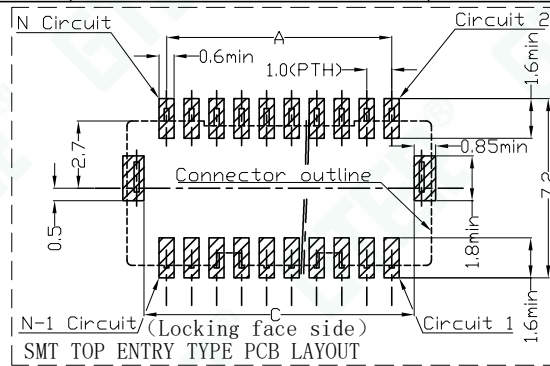
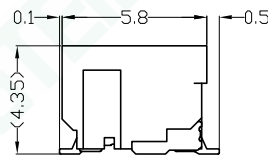
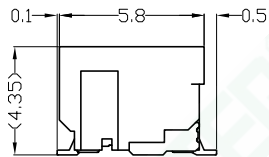
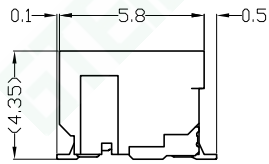
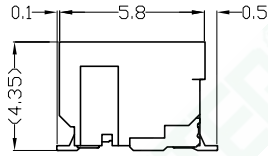
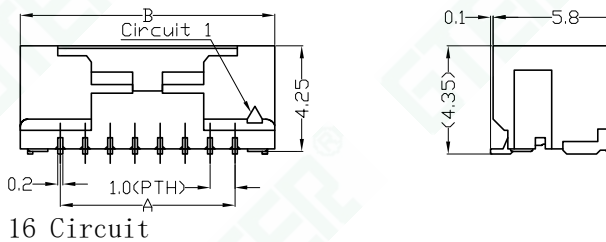
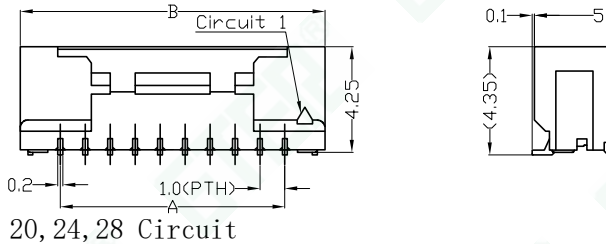
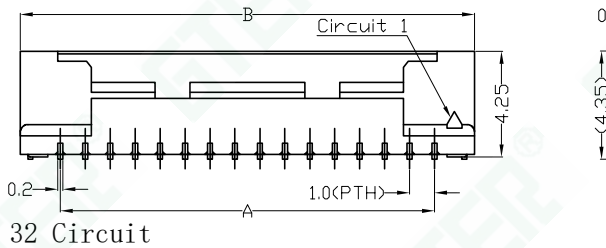
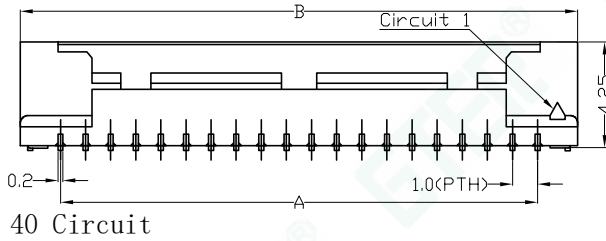
GTER® 东莞市高嘉精密电子有限公司
DONGGUAN GJ PRECISION ELECTRONICS Co.Ltd.

PART NO: GJ-A1005HF-**-AON

1.00mm WIRE TO BOARD CONNECTOR, SOCKET HOUSING

APPROVED BY: APPROVED	PROJ:	TOLERANCE	LTR	REVISION RECORD	NAME	DATE
CHECKED BY: CHECKED	UNIT: mm	-1 ±0.10	标记1	修改内容1	姓名1	日期1
DRAWN BY: yiliangdong	SCALE: --	1-5 ±0.15	标记2	修改内容2	姓名2	日期2
DATE: 2021-11-25	SHEET: 1/1 A4	5-15 ±0.20	标记3	修改内容3	姓名3	日期3
VER NO: AO		15-30 ±0.25	标记4	修改内容4	姓名4	日期4
		30- ±0.30	CUSTOMER: ---		Conforms to The RoHS&REACH Instruction	
		(ANGLE) .X ±10°				

A1002胶壳 产品图



(立式 V-SMT TYPE)
WIRE TO BOARD CONNECTOR

■ Main Specifications

- 接触电阻 (Contact resistance): $\leq 20m\Omega$
- 绝缘电阻 (Insulation resistance): $\geq 100M\Omega$
- 额定电压 (Rated voltage): 50V AC DC
- 额定电流 (Rated current): 1.0A AC DC
- 耐电压 (Withstand Voltage): 500V AC/minute
- 温度范围 (Temperature Range): $-25^{\circ}C \sim +105^{\circ}C$

■ 产品编码简介: GJ-A1005WVS-**-FON

1. 系列号;
2. 立式贴板针座;
3. Pin位数;
4. LCP UL94V-0 (本色)

■ 适配 GJ-A1005 SOCKET HOUSING SERIES.

组成序号	名称	材质
a	0.2 pin针	磷铜镀亮锡
b	接地片	磷铜镀亮锡
c	WAFER 主体	LCP(本色) UL94V-0
d	吸盖	LCP(本色) UL94V-0

Poles	Dimensions (mm)			Q'ty/ reel
	A	B	C	
2x8P	7.00	10.20	8.80	1,500
2x10P	9.00	12.20	10.80	1,500
2x12P	11.00	14.20	12.80	1,500
2x14P	13.00	16.20	14.80	1,500
2x16P	15.00	18.20	16.80	1,500
2x20P	19.00	22.20	20.80	1,500

GTER® 东莞市高嘉精密电子有限公司
DONGGUAN GJ PRECISION ELECTRONICS Co.Ltd.

PART NO: GJ-A1005WVS-**-FON

1.00mm WIRE TO BOARD CONNECTOR, WAFER (V-SMT TYPE)

APPROVED BY: APPROVED

CHECKED BY: CHECKED

DRAWN BY: yiliangdong

DATE: 2023-10-17

A1005立式贴板针座产品图

PROJ:

UNIT: mm

SCALE: --

SHEET: 1/1 A4

VER NO: AO

TOLERANCE

-1 ±0.10

1-5 ±0.15

5-15 ±0.20

15-30 ±0.25

30- ±0.30

(ANGLE) .X ±10°

LTR

标记1

标记2

标记3

标记4

CUSTOMER: ---

REVISION RECORD

修改内容1

修改内容2

修改内容3

修改内容4

NAME

姓名1

姓名2

姓名3

姓名4

DATE

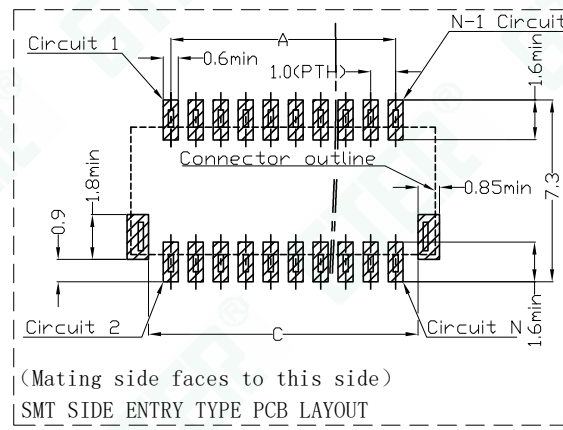
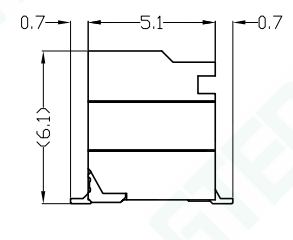
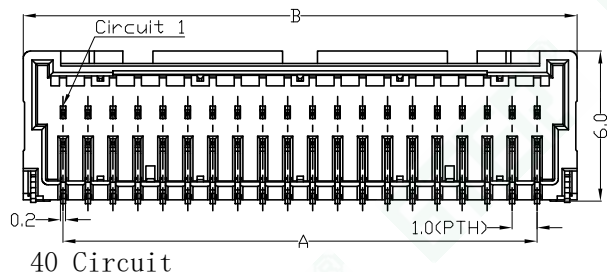
日期1

日期2

日期3

日期4

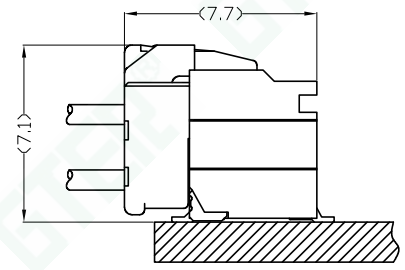
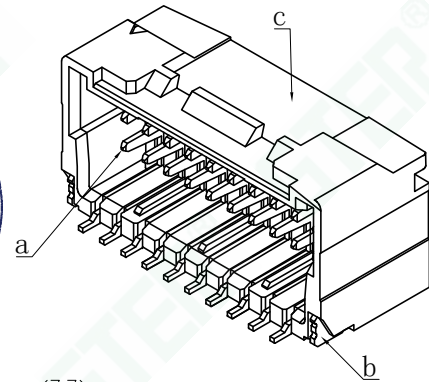
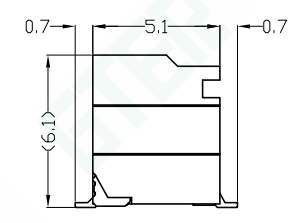
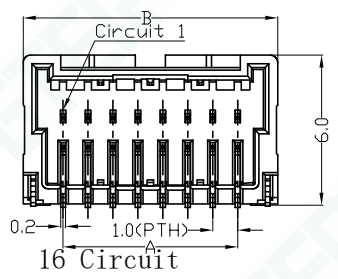
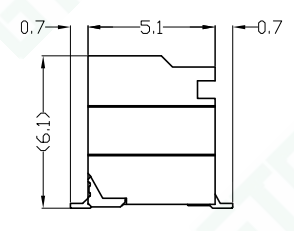
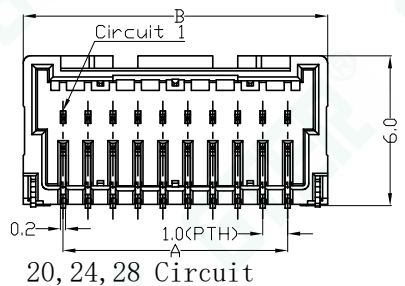
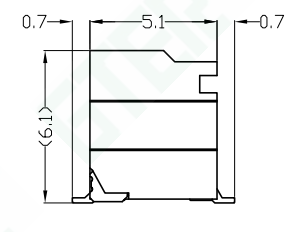
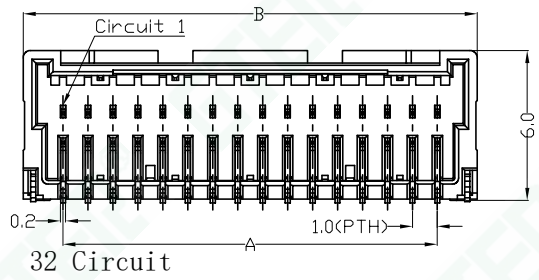
Conforms to The RoHS&REACH Instruction



- Main Specifications
- 接触电阻 (Contact resistance): $\leq 20m\Omega$
 - 绝缘电阻 (Insulation resistance): $\geq 100M\Omega$
 - 额定电压 (Rated voltage): 50V AC DC
 - 额定电流 (Rated current): 1.0A AC DC
 - 耐电压 (Withstand Voltage): 500V AC/minute
 - 温度范围 (Temperature Range): $-25^{\circ}C \sim +105^{\circ}C$

■ 产品编码简介: GJ-A1005WRS-**-FON
① ② ③ ④

1. 系列号;
 2. 卧式贴板针座;
 3. Pin位数;
 4. LCP UL94V-0 (本色)
- 适配 GJ-A1005 SOCKET HOUSING SERIES.



(卧式 R-SMT TYPE)
WIRE TO BOARD CONNECTOR

组成序号	名称	材质
a	0.2 pin针	磷铜镀亮锡
b	接地片	磷铜镀亮锡
c	WAFER 主体	LCP(本色) UL94V-0

Poles	Dimensions (mm)			Q'ty/ reel
	A	B	C	
2x8P	7.00	10.20	8.80	1,500
2x10P	9.00	12.20	10.80	1,500
2x12P	11.00	14.20	12.80	1,500
2x14P	13.00	16.20	14.80	1,500
2x16P	15.00	18.20	16.80	1,500
2x20P	19.00	22.20	20.80	1,500

GTER® 东莞市高嘉精密电子有限公司
DONGGUAN GJ PRECISION ELECTRONICS Co.Ltd.

PART NO: GJ-A1005WRS-**-FON

1.00mm WIRE TO BOARD CONNECTOR, WAFER (V-SMT TYPE)

APPROVED BY: APPROVED	PROJ:	TOLERANCE	LTR	REVSION RECORD	NAME	DATE
CHECKED BY: CHECKED	UNIT: mm	-1 ±0.10	标记1	修改内容1	姓名1	日期1
DRAWN BY: yiliangdong	SCALE: --	1-5 ±0.15	标记2	修改内容2	姓名2	日期2
DATE: 2023-10-17	SHEET: 1/1 A4	5-15 ±0.20	标记3	修改内容3	姓名3	日期3
A1005卧式贴板针座产品图	VER NO: AO	15-30 ±0.25	标记4	修改内容4	姓名4	日期4
		30- ±0.30	CUSTOMER: ---			
		(ANGLE) .X ±10°				

Conforms to The RoHS&REACH Instruction