

包装示意图(端子V型口向外顺时针绕盘)

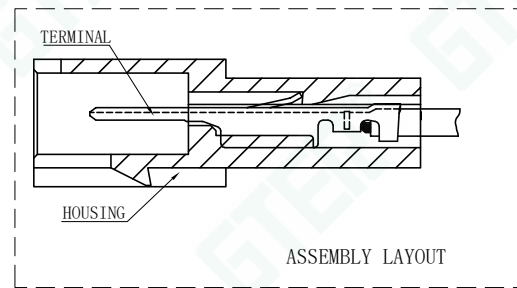
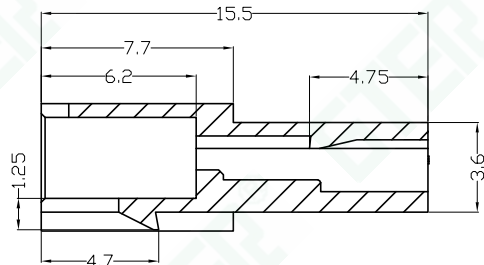
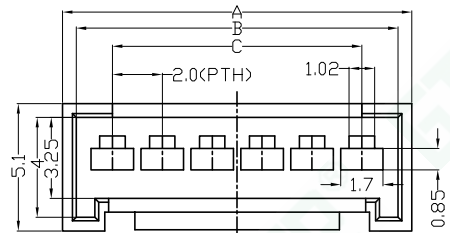


- Main Specifications**
- 额定电流 (Current rating): 3.0A AC, DC
 - 额定电压 (Voltage rating): 250V AC, DC
 - 温度范围 (Temperature range): -25°C TO $+85^{\circ}\text{C}$
 - 接触电阻 (Contact resistance): $\leq 30\text{M}\Omega$
 - 绝缘电阻 (Insulation resistance): $\geq 1000\text{M}\Omega$
 - 耐电压 (Withstand voltage): 1000V AC/minute

规格表	Part No	Wire Range	Insulation O.D	Material	Finish	Qty/reel	Features (Used in)	Remark
	C2003TM-PTS	AWG#30~#24	1.45 (MAX)	Phosphor Bronze	Tin-plated	15,000	GJ-C2003 PLUG HOUSIN SERIES	

GTER® 东莞市高嘉精密电子有限公司
DONGGUAN GJ PRECISION ELECTRONICS Co.Ltd.
PART NO: GJ-C2003TM-PTS
2.00mm WIRE TO WIRE CONNECTOR, PLUG TERMINAL

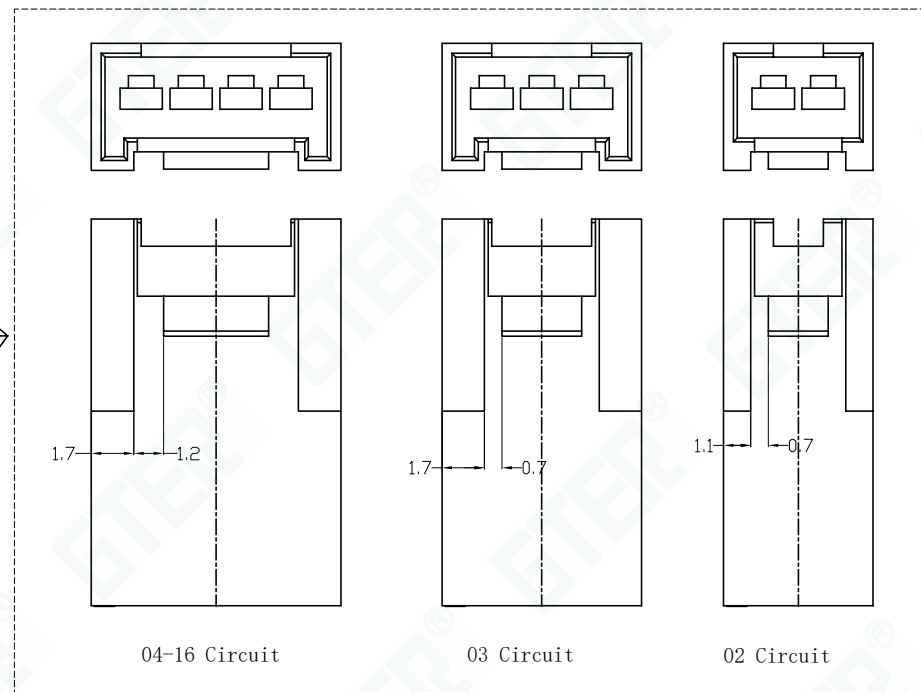
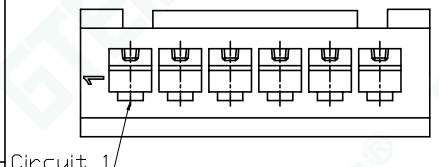
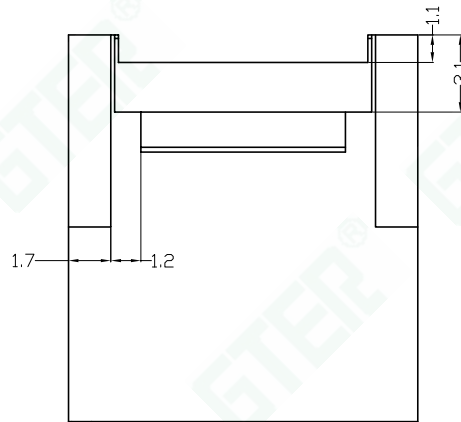
APPROVED BY: APPROVED	PROJ:	TOLERANCE	LTR	REVISION RECORD		NAME	DATE
CHECKED BY: CHECKED	UNIT: mm	-1 ±0.10	标记1	修改内容1	姓名1	日期1	
DRAWN BY: yiliangdong	SCALE: --	1-5 ±0.15	标记2	修改内容2	姓名2	日期2	
DATE: 2023-09-28	SHEET: 1/1 A4	5-15 ±0.20	标记3	修改内容3	姓名3	日期3	
C2003端子 产品图	VER NO: AO	15-30 ±0.25	标记4	修改内容4	姓名4	日期4	
		30- ±0.30	CUSTOMER: ---		Conforms to The RoHS&REACH Instruction		
		(ANGLE) .X ±10°					



- Main Specifications
- . 接触电阻 (Contact resistance): $\leq 30m\Omega$
 - . 绝缘电阻 (Insulation resistance): $\geq 1000M\Omega$
 - . 额定电压 (Rated voltage): 250V AC DC
 - . 额定电流 (Rated current): 3.0A AC DC
 - . 耐电压 (Withstand Voltage): 1000V AC/minute
 - . 温度范围 (Temperature Range): $-25^{\circ}C \sim +85^{\circ}C$

■ 产品编码简介: GJ-C2003HM-**-A0N
① ② ③ ④

1. 系列号;
 2. 母胶壳;
 3. Pin位数;
 4. Nylon66 UL94V-0 (本色)
- 适配 GJ-A2003 SOCKET HOUSING.
■ 适配 GJ-C2003 PLUG TERMINAL.



Contacts	Dimensions(mm)		
	A	B	C
02P	6.00	4.90	2.00
03P	8.00	6.90	4.00
04P	10.00	8.90	6.00
05P	12.00	10.90	8.00
06P	14.00	12.90	10.00
07P	16.00	14.90	12.00
08P	18.00	16.90	14.00
09P	20.00	18.90	16.00
10P	22.00	20.90	18.00
11P	24.00	22.90	20.00
12P	26.00	24.90	22.00
13P	28.00	26.90	24.00
14P	30.00	28.90	26.00
15P	32.00	30.90	28.00
16P	34.00	32.90	30.00

GTER® 东莞市高嘉精密电子有限公司
DONGGUAN GJ PRECISION ELECTRONICS Co.Ltd.
PART NO: GJ-C2003HM-**-A0N
2.00mm WIRE TO WIRE CONNECTOR, PLUG HOUSING

APPROVED BY: APPROVED
CHECKED BY: CHECKED
DRAWN BY: yiliangdong
DATE: 2023-03-08
C2003胶壳 产品图
VER NO: A0

PROJ: UNIT: mm
SCALE: --
SHEET: 1/1 A4
TOLERANCE
-1 ±0.10
1-5 ±0.15
5-15 ±0.20
15-30 ±0.25
30- ±0.30
(ANGLE) .X ±10°

REVISION RECORD
LTR
NAME
DATE
CUSTOMER: ---
Conforms to The RoHS&REACH Instruction