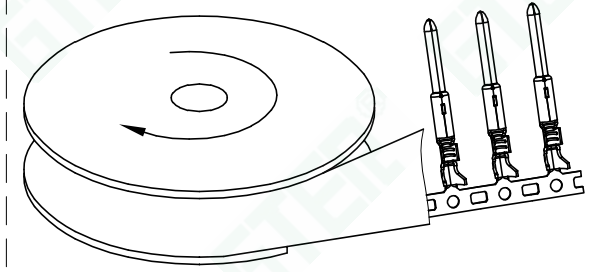
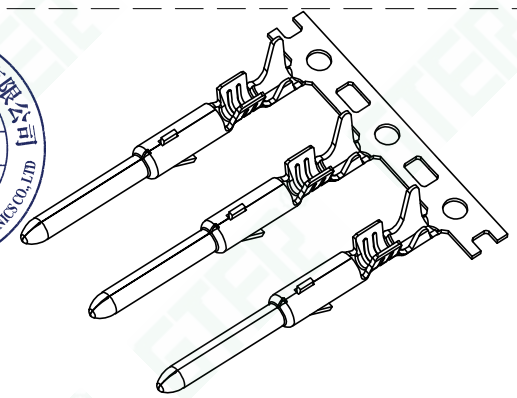


BACK VIEW

SECTION C-C



包装示意图(端子V型口向外顺时针绕盘)



■ Main Specifications

- . 接触电阻 (Contact resistance): $\leq 30m\Omega$
- . 绝缘电阻 (Insulation resistance): $\geq 500M\Omega$
- . 额定电压 (Rated voltage): 32V AC DC
- . 额定电流 (Rated current): 5.0A DC/AC
- . 耐电压 (Withstand Voltage): 800V AC/minute
- . 温度范围 (Temperature Range): $-25^{\circ}C \sim +85^{\circ}C$

- ① 倒钩连续三次90°折弯不断裂;
- ② 电镀: 镍底60U", A段再镀金2.0U", 其余镀锡120U".
- ③ 盐雾测试48小时后镀层表面无发黑、腐蚀、铜绿等不良;

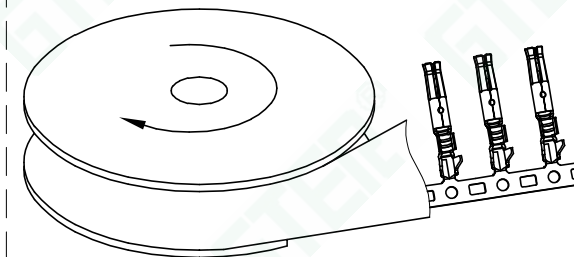
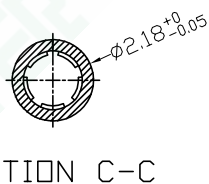
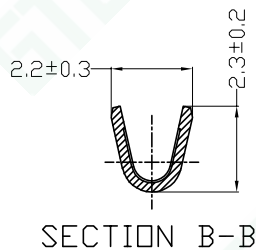
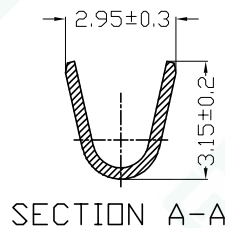
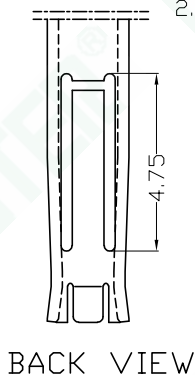
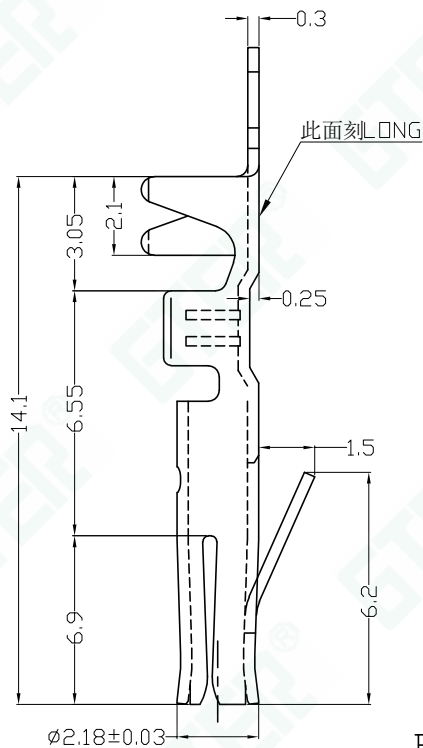
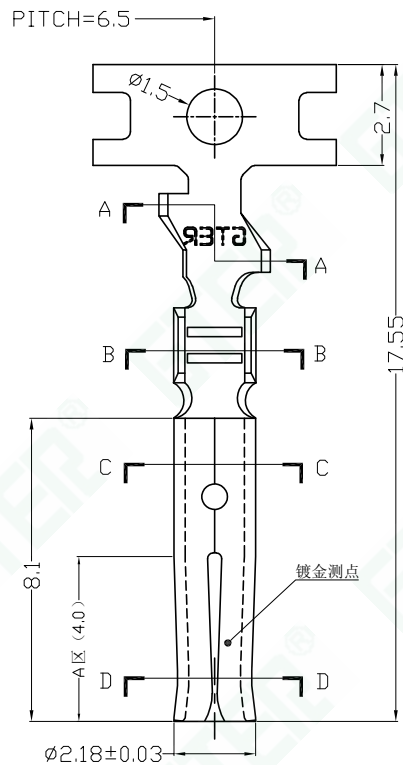
规格表	Part No	Wire Range	Insulation O.D	Material	Finish	Qty/reel	Features (Used in)	Remark
	C4851TM-PA1-2U"	AWG#24~#20	2.2 (MAX)	Phosphor Bronze	Tin-plated	9,000	GJ-C4851 PLUG HOUSIN SERIES	AISG-C485系列

GTER® 东莞市高嘉精密电子有限公司
DONGGUAN GJ PRECISION ELECTRONICS Co.Ltd.
PART NO: GJ-C4851TM-PA1-**
AISG-C4851系列 WIRE TO WIRE Circular CONNECTOR

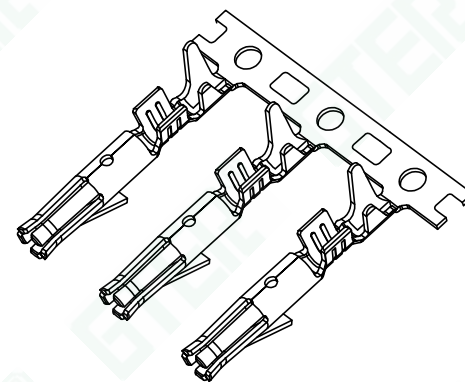
APPROVED BY: APPROVED
CHECKED BY: CHECKED
DRAWN BY: yiliangdong
DATE: 2023-12-04
C4851公端子 产品图

PROJ: UNIT: mm
SCALE: --
SHEET: 1/1 A4
VER NO: AO

TOLERANCE	LTR	REVISION RECORD	NAME	DATE
-1 ±0.10	标记1	修改内容1	姓名1	日期1
1-5 ±0.15	标记2	修改内容2	姓名2	日期2
5-15 ±0.20	标记3	修改内容3	姓名3	日期3
15-30 ±0.25	标记4	修改内容4	姓名4	日期4
30- ±0.30	CUSTOMER: ---			
(ANGLE) .X ±10°	Conforms to The RoHS&REACH Instruction			



包装示意图(端子V型口向外顺时针绕盘)



■ Main Specifications

- . 接触电阻 (Contact resistance): $\leq 30m\Omega$
- . 绝缘电阻 (Insulation resistance): $\geq 500M\Omega$
- . 额定电压 (Rated voltage): 32V AC DC
- . 额定电流 (Rated current): 5.0A DC/AC
- . 耐电压 (Withstand Voltage): 800V AC/minute
- . 温度范围 (Temperature Range): $-25^{\circ}C \sim +85^{\circ}C$

- ① 用 $\phi 1.46$ PIN针插入6MM深保持力1.2Nmin;
- ② 用 $\phi 1.5$ PIN针插入后最大外径 $\phi 2.5$;
- ③ 电镀: 镍底60U", A段再镀金2.0U", 其余镀锡120U".
- ④ 盐雾测试48小时后镀层表面无发黑、腐蚀、铜绿等不良;

规格表	Part No	Wire Range	Insulation O.D	Material	Finish	Qty/reel	Features (Used in)	Remark
	C4851TF-PA1-2U"	AWG#24~#20	2.2 (MAX)	Phosphor Bronze	Tin-plated	9,000	GJ-C4851 SOCKET HOUSIN SERIES	AISG-C485系列

GTER® 东莞市高嘉精密电子有限公司
DONGGUAN GJ PRECISION ELECTRONICS Co.Ltd.

PART NO: GJ-C4851TF-PA1-**

AISG-C4851系列 WIRE TO WIRE Circular CONNECTOR

APPROVED BY: APPROVED

CHECKED BY: CHECKED

DRAWN BY: yiliangdong

DATE: 2023-11-27

C4851母端子 产品图

PROJ:

UNIT: mm

SCALE: --

SHEET: 1/1 A4

VER NO: AO

TOLERANCE

-1 ±0.10

1-5 ±0.15

5-15 ±0.20

15-30 ±0.25

30- ±0.30

(ANGLE) .X ±10°

LTR

标记1

标记2

标记3

标记4

CUSTOMER: ---

REVISION RECORD

修改内容1

修改内容2

修改内容3

修改内容4

NAME

姓名1

姓名2

姓名3

姓名4

DATE

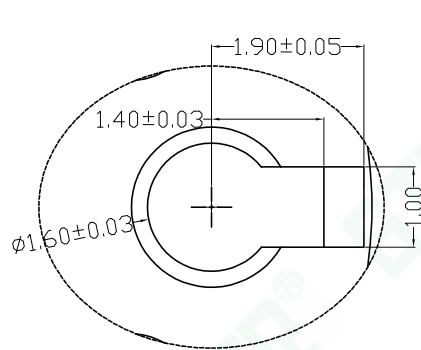
日期1

日期2

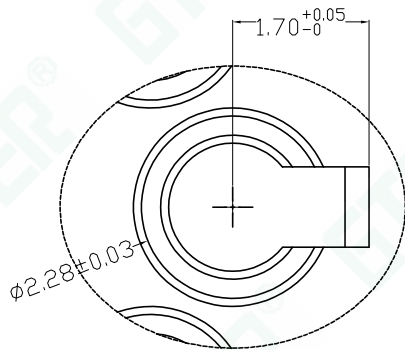
日期3

日期4

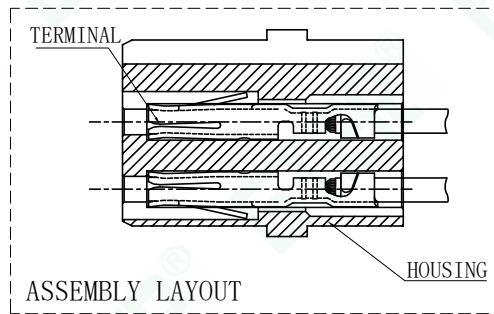
Conforms to The RoHS&REACH Instruction



B-B 5/1(x7)



C-C 5/1(x7)



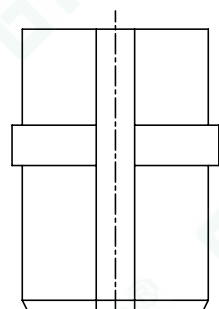
■ Main Specifications

- 接触电阻 (Contact resistance): $\leq 30m\Omega$
- 绝缘电阻 (Insulation resistance): $\geq 500M\Omega$
- 额定电压 (Rated voltage): 32V AC DC
- 额定电流 (Rated current): 5.0A DC/AC
- 耐电压 (Withstand Voltage): 800V AC/minute
- 温度范围 (Temperature Range): $-25^{\circ}C \sim +85^{\circ}C$

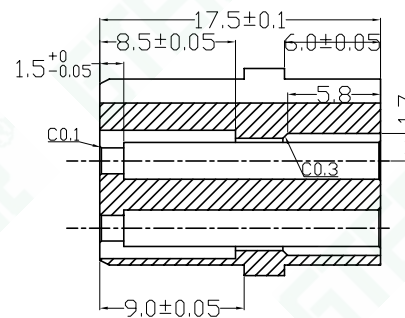
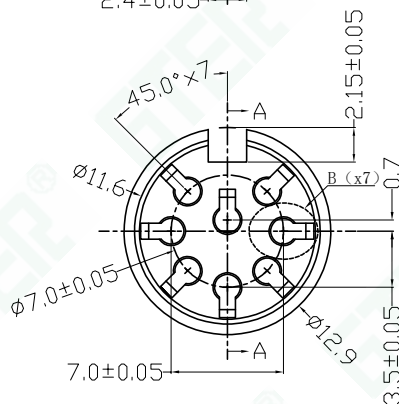
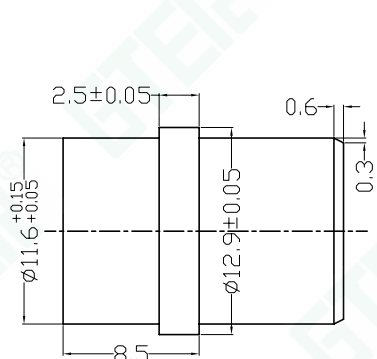
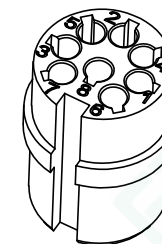
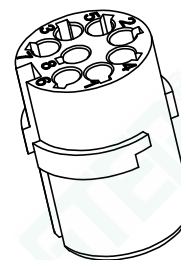
■ 产品编码简介: GJ-C4851HF-**-E0B

1. 系列号; ① ② ③ ④
2. 母胶壳;
3. Pin位数, 02PIN~08PIN;
4. PBT UL94V-0 (黑色);

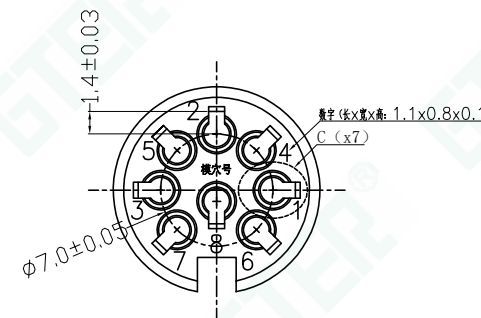
■ 适配 GJ-C4851TF TERMINAL.



2.4±0.05



SECTION A-A



BACK VIEW

GTER® 东莞市高嘉精密电子有限公司
DONGGUAN GJ PRECISION ELECTRONICS Co.Ltd.

PART NO: GJ-C4851HF-**-E0B

AISG-C4851系列 WIRE TO WIRE Circular CONNECTOR

APPROVED BY: APPROVED

CHECKED BY: CHECKED

DRAWN BY: yiliangdong

DATE: 2023-12-14

C4851母端胶壳产品图

PROJ:

UNIT: mm

SCALE: --

SHEET: 1/1 A4

VER NO: AO

TOLERANCE

-1 ±0.10

1-5 ±0.15

5-15 ±0.20

15-30 ±0.25

30- ±0.30

(ANGLE) .X ±10°

LTR

标记1

标记2

标记3

标记4

CUSTOMER: ---

REVISION RECORD

修改内容1

修改内容2

修改内容3

修改内容4

NAME

姓名1

姓名2

姓名3

姓名4

DATE

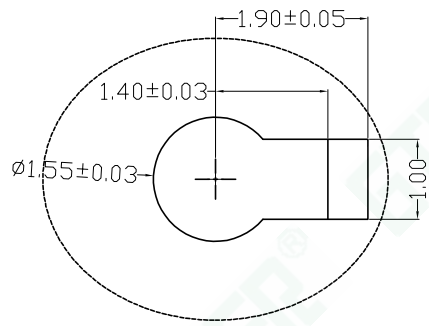
日期1

日期2

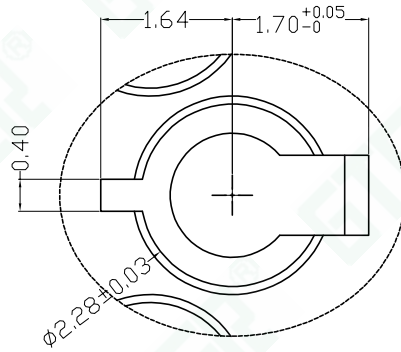
日期3

日期4

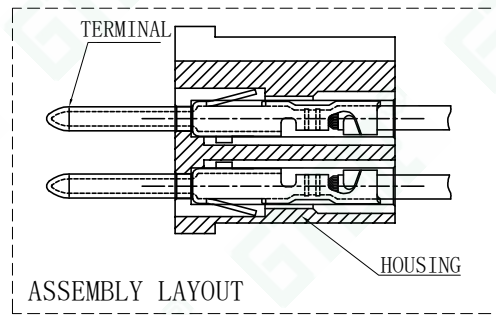
Conforms to The RoHS&REACH Instruction



B-B 5/1(x7)



C-C 5/1(x7)

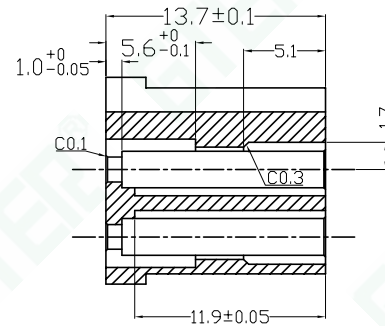
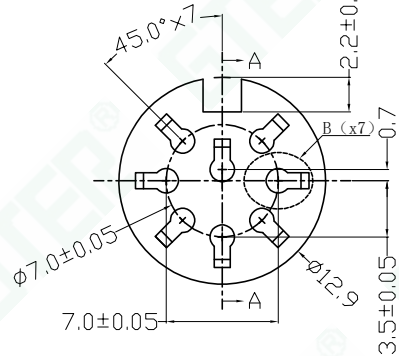
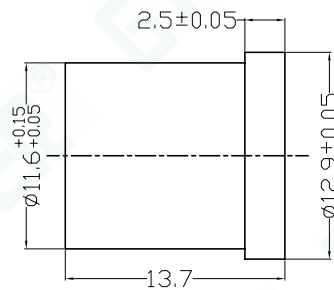
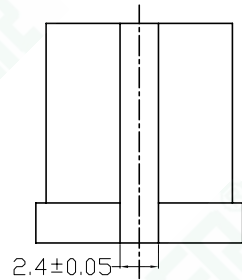
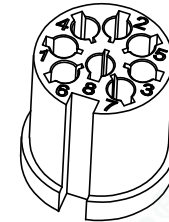
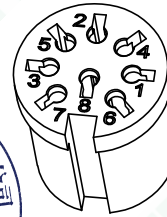


■ Main Specifications

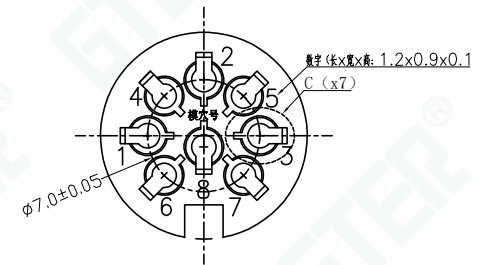
- 接触电阻 (Contact resistance): $\leq 30m\Omega$
- 绝缘电阻 (Insulation resistance): $\geq 500M\Omega$
- 额定电压 (Rated voltage): 32V AC DC
- 额定电流 (Rated current): 5.0A DC/AC
- 耐电压 (Withstand Voltage): 800V AC/minute
- 温度范围 (Temperature Range): $-25^{\circ}C \sim +85^{\circ}C$

■ 产品编码简介: GJ-C4851HM-**-EOB

1. 系列号; ① ② ③ ④
 2. 公胶壳;
 3. Pin位数, 02PIN~08PIN;
 4. PBT UL94V-0 (黑色);
- 适配 GJ-C4851TF TERMINAL.



SECTION A-A



BACK VIEW

GTER® 东莞市高嘉精密电子有限公司
DONGGUAN GJ PRECISION ELECTRONICS Co.Ltd.

PART NO: GJ-C4851HM-**-EOB

AISG-C4851系列 WIRE TO WIRE Circular CONNECTOR

APPROVED BY: APPROVED

CHECKED BY: CHECKED

DRAWN BY: yiliangdong

DATE: 2023-12-14

C4851公端胶壳产品图

PROJ:

UNIT: mm

SCALE: --

SHEET: 1/1 A4

VER NO: AO

TOLERANCE

-1 ±0.10

1-5 ±0.15

5-15 ±0.20

15-30 ±0.25

30- ±0.30

(ANGLE) .X ±10°

LTR

标记1

标记2

标记3

标记4

CUSTOMER: ---

REVISION RECORD

修改内容1

修改内容2

修改内容3

修改内容4

NAME

姓名1

姓名2

姓名3

姓名4

DATE

日期1

日期2

日期3

日期4

Conforms to The RoHS&REACH Instruction