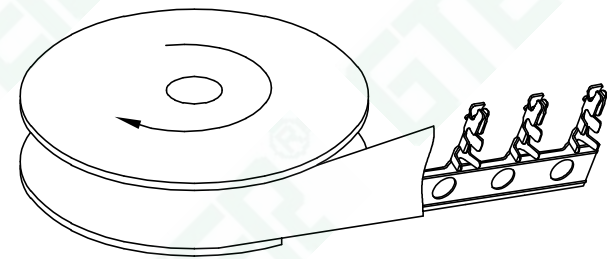
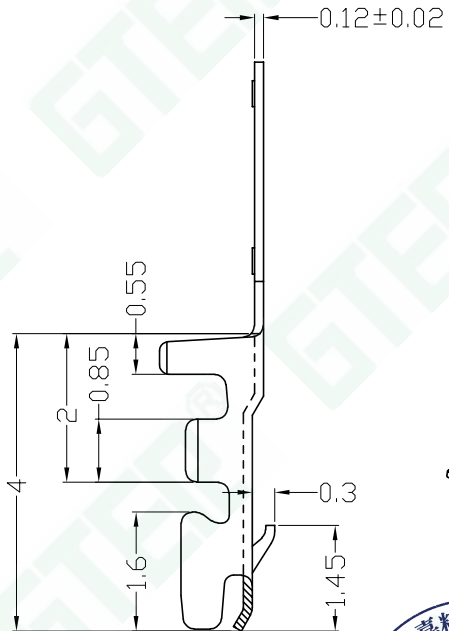
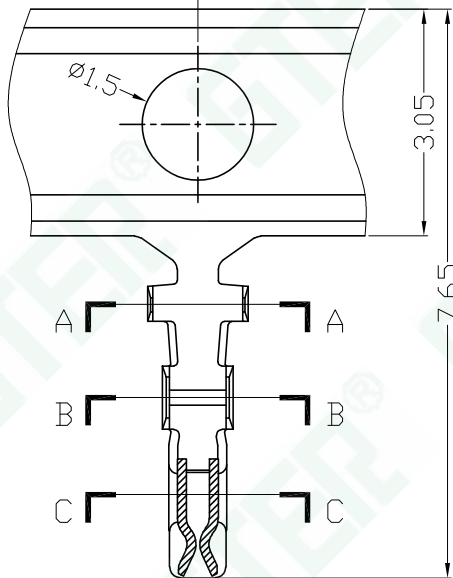
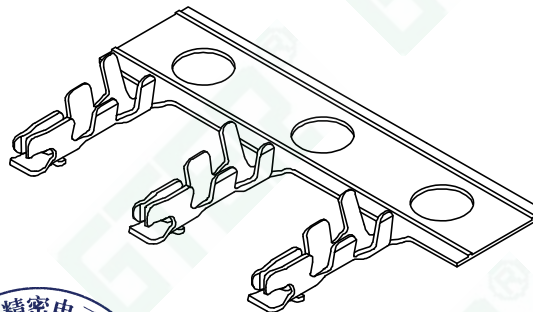


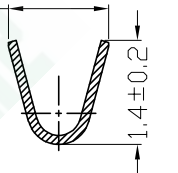
PITCH=4.0



包装示意图(端子V型口向外顺时针绕盘)

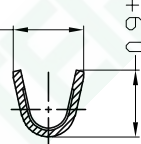


1.35±0.25



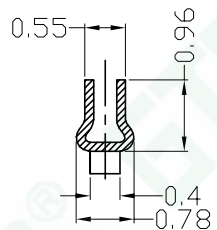
SECTION A-A

0.95±0.25



SECTION B-B

0.55



SECTION C-C



■ Main Specifications

- 额定电流 (Current rating): 1.0A AC, DC
- 额定电压 (Voltage rating): 50V AC, DC
- 温度范围 (Temperature range): -25°C TO +85°C
- 接触电阻 (Contact resistance): ≤20MΩ
- 绝缘电阻 (Insulation resistance): ≥100MΩ
- 耐电压 (Withstand voltage): 500V AC/minute

规格表	Part No	Wire Range	Insulation O.D	Material	Finish	Qty/reel	Features(Used in)	Remark
	A1003TF-PTS	AWG#32~#28	0.80 (MAX)	Phosphor Bronze	Tin-plated	25,000	GJ-A1003 SOCKET HOUSIN SERIES	

GTER® 东莞市高嘉精密电子有限公司
DONGGUAN GJ PRECISION ELECTRONICS Co.Ltd.

PART NO: GJ-A1003TF-PTS

1.00mm WIRE TO BOARD CONNECTOR, SOCKET TERMINAL

APPROVED BY: APPROVED

CHECKED BY: CHECKED

DRAWN BY: yiliangdong

DATE: 2022-07-16

A1003端子 产品图

PROJ:

UNIT: mm

SCALE: --

SHEET: 1/1 A4

VER NO: AO

TOLERANCE

-1 ±0.10

1-5 ±0.15

5-15 ±0.20

15-30 ±0.25

30- ±0.30

(ANGLE) .X ±10°

LTR

标记1

标记2

标记3

标记4

CUSTOMER: ---

REVISION RECORD

修改内容1

修改内容2

修改内容3

修改内容4

NAME

姓名1

姓名2

姓名3

姓名4

DATE

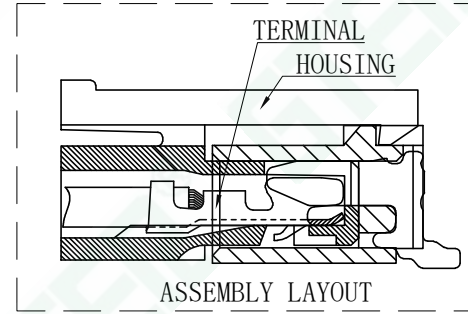
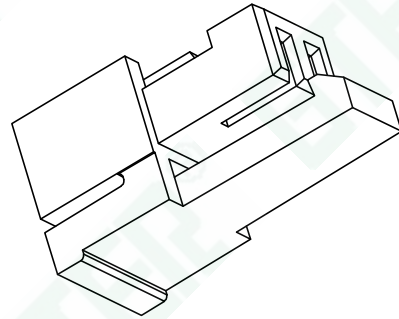
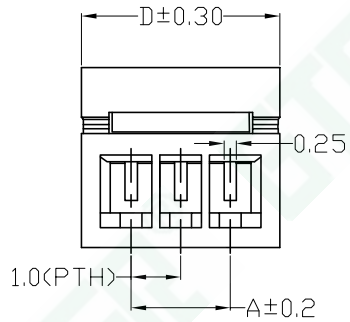
日期1

日期2

日期3

日期4

Conforms to The RoHS&REACH Instruction



■ Main Specifications

- . 接触电阻 (Contact resistance): $\leq 20m\Omega$
- . 绝缘电阻 (Insulation resistance): $\geq 100M\Omega$
- . 额定电压 (Rated voltage): 50V AC DC
- . 额定电流 (Rated current): 1.0A AC DC
- . 耐电压 (Withstand Voltage): 500V AC/minute
- . 温度范围 (Temperature Range): $-25^{\circ}C \sim +85^{\circ}C$

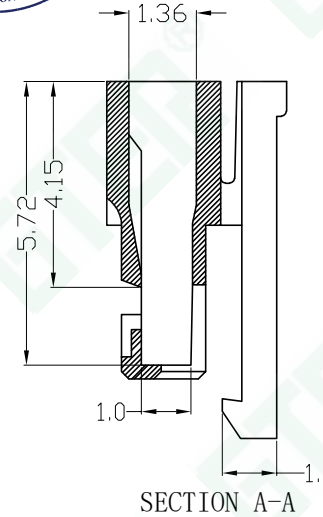
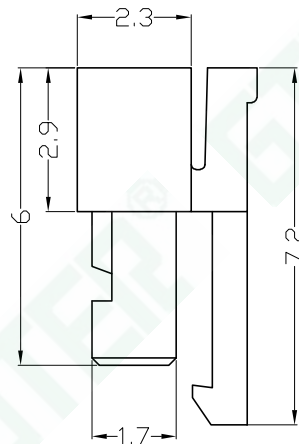
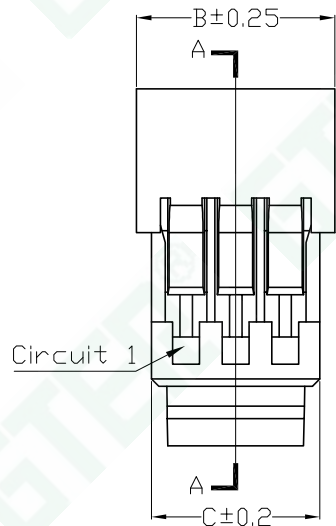
■ 产品编码简: GJ-A1003HF-**-AON-HK

① ② ③ ④ ⑤

1. 系列号;
2. 母胶壳;
3. Pin位数;
4. Nylon66 UL94V-0 (本色)
5. HK=带扣款

■ 适配 GJ-A1003 WAFER SERIES.

■ 适配 GJ-A1003 SOCKET TERMINAL.



Poles	Dimensions (mm)				Q'ty/ bag
	A	B	C	D	
02	1.00	3.00	2.40	3.00	1,000
03	2.00	4.00	3.40	3.00	1,000
04	3.00	5.00	4.40	4.00	1,000
05	4.00	6.00	5.40	4.00	1,000
06	5.00	7.00	6.40	4.00	1,000
07	6.00	8.00	7.40	4.00	1,000
08	7.00	9.00	8.40	4.00	1,000
09	8.00	10.00	9.40	4.00	1,000
10	9.00	11.00	10.40	6.00	1,000
11	10.00	12.00	11.40	6.00	1,000
12	11.00	13.00	12.40	6.00	1,000
13	12.00	14.00	13.40	6.00	1,000
14	13.00	15.00	14.40	6.00	1,000
15	14.00	16.00	15.40	6.00	1,000
16	15.00	17.00	16.40	6.00	1,000

GTER 东莞市高嘉精密电子有限公司
DONGGUAN GJ PRECISION ELECTRONICS Co.Ltd.

PART NO: GJ-A1003HF-**-AON-带扣

1.00mm WIRE TO BOARD CONNECTOR, SOCKET HOUSING

APPROVED BY: APPROVED

CHECKED BY: CHECKED

DRAWN BY: yiliangdong

DATE: 2022-07-16

A1003带扣胶壳产品图

PROJ:

UNIT: mm

SCALE: --

SHEET: 1/1 A4

VER NO: AO

TOLERANCE

-1 ±0.10

1-5 ±0.15

5-15 ±0.20

15-30 ±0.25

30- ±0.30

(ANGLE) .X ±10°

LTR

标记1

标记2

标记3

标记4

CUSTOMER: ---

REVISION RECORD

修改内容1

修改内容2

修改内容3

修改内容4

NAME

姓名1

姓名2

姓名3

姓名4

DATE

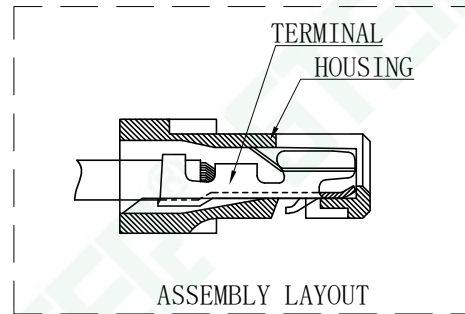
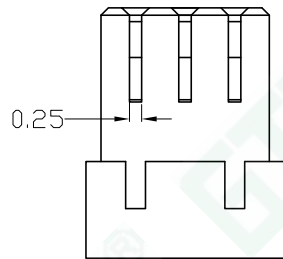
日期1

日期2

日期3

日期4

Conforms to The RoHS&REACH Instruction



■ Main Specifications

- . 接触电阻 (Contact resistance): $\leq 20m\Omega$
- . 绝缘电阻 (Insulation resistance): $\geq 100M\Omega$
- . 额定电压 (Rated voltage): 50V AC DC
- . 额定电流 (Rated current): 1.0A AC DC
- . 耐电压 (Withstand Voltage): 500V AC/minute
- . 温度范围 (Temperature Range): $-25^{\circ}C \sim +85^{\circ}C$

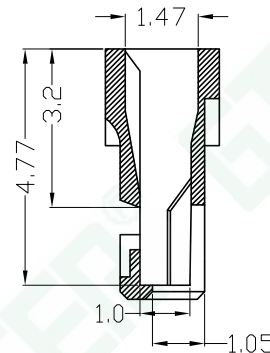
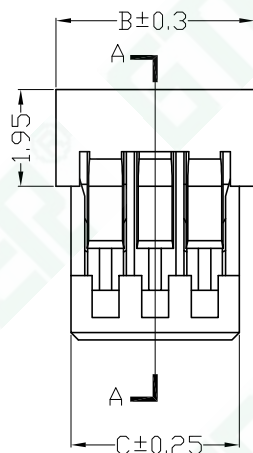
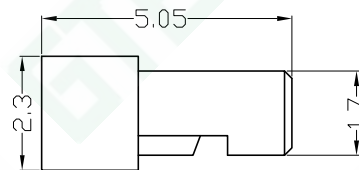
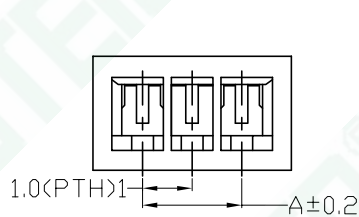
■ 产品编码简: GJ-A1003HF-**-AON
① ② ③ ④

1. 系列号;
2. 母胶壳;
3. Pin位数;
4. Nylon66 UL94V-0 (本色)

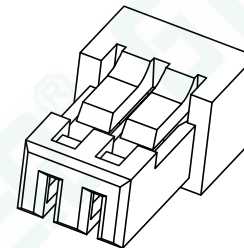
■ 包装 PE袋包装, 每袋1,000PCS.

■ 适配 GJ-A1003 WAFER SERIES.

■ 适配 GJ-A1003 SOCKET TERMINAL.



SECTION A-A



Poles	Dimensions (mm)			Q'ty/ bag
	A	B	C	
02	1.00	3.00	2.40	1,000
03	2.00	4.00	3.40	1,000
04	3.00	5.00	4.40	1,000
05	4.00	6.00	5.40	1,000
06	5.00	7.00	6.40	1,000
07	6.00	8.00	7.40	1,000
08	7.00	9.00	8.40	1,000
09	8.00	10.00	9.40	1,000
10	9.00	11.00	10.40	1,000
11	10.00	12.00	11.40	1,000
12	11.00	13.00	12.40	1,000
13	12.00	14.00	13.40	1,000
14	13.00	15.00	14.40	1,000
15	14.00	16.00	15.40	1,000
16	15.00	17.00	16.40	1,000

GTER® 东莞市高嘉精密电子有限公司
DONGGUAN GJ PRECISION ELECTRONICS Co.Ltd.

APPROVED BY: APPROVED

CHECKED BY: CHECKED

DRAWN BY: yiliangdong

DATE: 2022-07-16

A1003胶壳产品图

PROJ:

UNIT: mm

SCALE: --

SHEET: 1/1 A4

VER NO: AO

TOLERANCE

-1 ±0.10

1-5 ±0.15

5-15 ±0.20

15-30 ±0.25

30- ±0.30

(ANGLE) .X ±10°

LTR

标记1

标记2

标记3

标记4

CUSTOMER: ---

REVISION RECORD

NAME

DATE

姓名1 日期1

姓名2 日期2

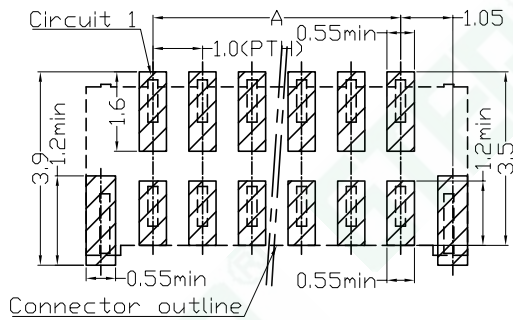
姓名3 日期3

姓名4 日期4

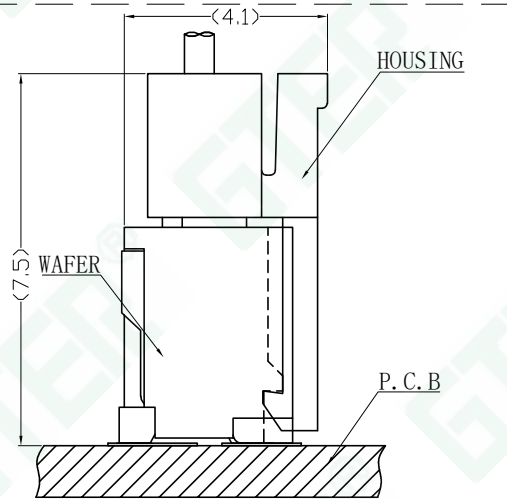
PART NO: GJ-A1003HF-**-AON

1.00mm WIRE TO BOARD CONNECTOR, SOCKET HOUSING

Conforms to The RoHS&REACH Instruction



SMT TOP ENTRY TYPE PCB LAYOUT



ASSEMBLY LAYOUT

■ Main Specifications

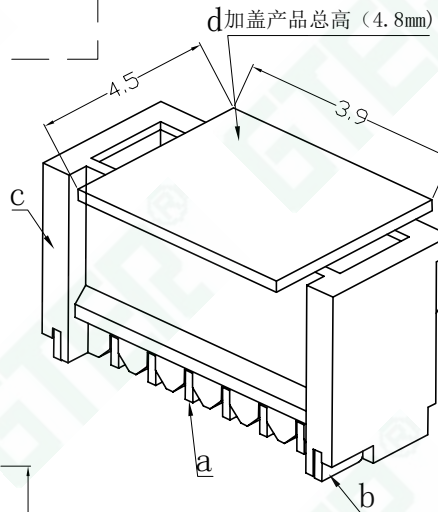
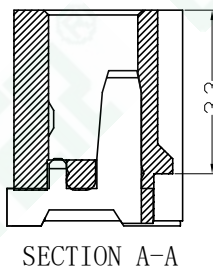
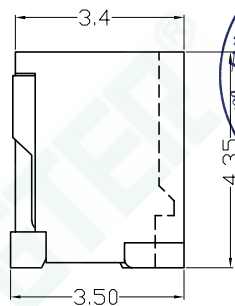
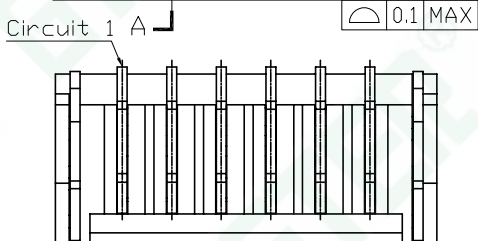
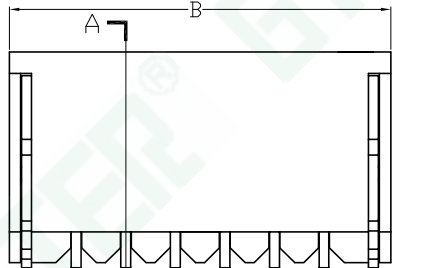
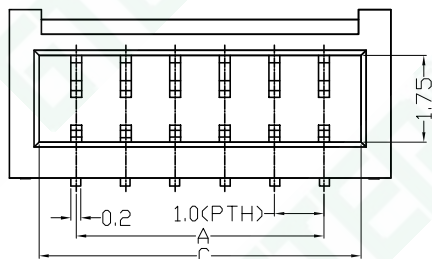
- 接触电阻 (Contact resistance): $\leq 20m\Omega$
- 绝缘电阻 (Insulation resistance): $\geq 100M\Omega$
- 额定电压 (Rated voltage): 50V AC DC
- 额定电流 (Rated current): 1.0A AC DC
- 耐电压 (Withstand Voltage): 500V AC/minute
- 温度范围 (Temperature Range): $-25^{\circ}C \sim +85^{\circ}C$

■ 产品编码简介: GJ-A1003WVS-**-FON-HK

① ② ③ ④ ⑤

1. 系列号;
2. 立式贴板针座;
3. Pin位数;
4. LCP UL94V-0 (本色)
5. HK=带扣款

■ 适配 GJ-A1003 SOCKET HOUSING SERIES.



Poles	Dimensions (mm)			Q'ty/ reel
	A	B	C	
02	1.00	3.70	2.50	1,500
03	2.00	4.70	3.50	1,500
04	3.00	5.70	4.50	1,500
05	4.00	6.70	5.50	1,500
06	5.00	7.70	6.50	1,500
07	6.00	8.70	7.50	1,500
08	7.00	9.70	8.50	1,500
09	8.00	10.70	9.50	1,500
10	9.00	11.70	10.50	1,500
11	10.00	12.70	11.50	1,500
12	11.00	13.70	12.50	1,500
13	12.00	14.70	13.50	1,500
14	13.00	15.70	14.50	1,500
15	14.00	16.70	15.50	1,500
16	15.00	17.50	16.50	1,500

组成序号	名称	材质
a	0.2 pin针	磷铜镀高温亮锡
b	接地片	磷铜镀高温亮锡
c	WAFER 主体	LCP(本色) UL94V-0
d	吸盖	LCP(本色) UL94V-0

GTER® 东莞市高嘉精密电子有限公司
DONGGUAN GJ PRECISION ELECTRONICS Co.Ltd.

PART NO: GJ-A1003WVS-**-FON-HK

1.00mm WIRE TO BOARD CONNECTOR, WAFER (V-SMT TYPE)

APPROVED BY: APPROVED
CHECKED BY: CHECKED
DRAWN BY: yiliangdong
DATE: 2022-10-14

PROJ: UNIT: mm
SCALE: --
SHEET: 1/1 A4
VER NO: AO

TOLERANCE LTR

-1	±0.10	标记1	修改内容1
1-5	±0.15	标记2	修改内容2
5-15	±0.20	标记3	修改内容3
15-30	±0.25	标记4	修改内容4
30-	±0.30		

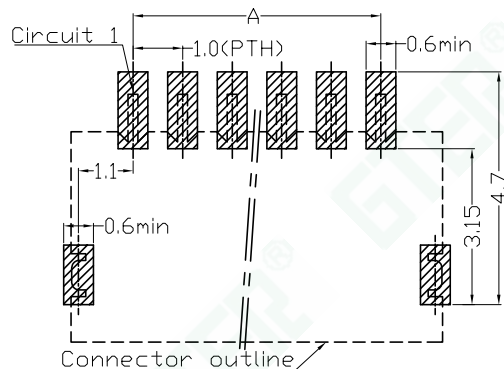
(ANGLE) .X ±10°

CUSTOMER: ---

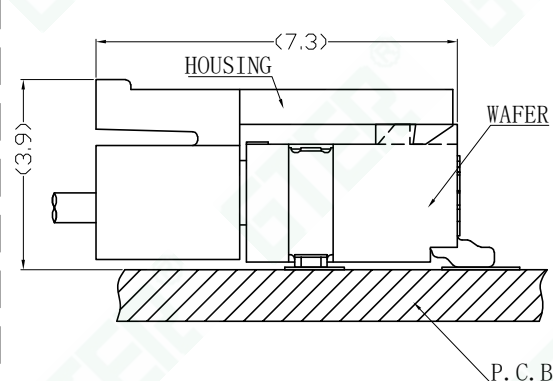
REVISION RECORD NAME DATE

姓名1	日期1
姓名2	日期2
姓名3	日期3
姓名4	日期4

Conforms to The RoHS&REACH Instruction



SMT SIDE ENTRY TYPE PCB LAYOUT



ASSEMBLY LAYOUT

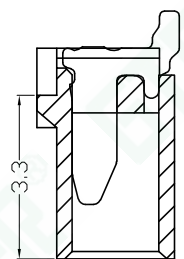
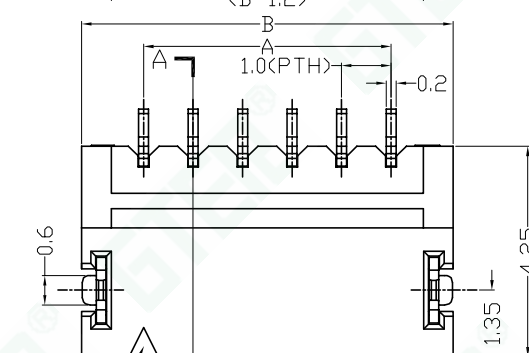
■ Main Specifications

- 接触电阻 (Contact resistance): $\leq 20m\Omega$
- 绝缘电阻 (Insulation resistance): $\geq 100M\Omega$
- 额定电压 (Rated voltage): 50V AC DC
- 额定电流 (Rated current): 1.0A AC DC
- 耐电压 (Withstand Voltage): 500V AC/minute
- 温度范围 (Temperature Range): $-25^{\circ}C \sim +85^{\circ}C$

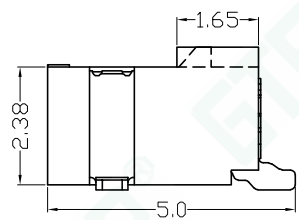
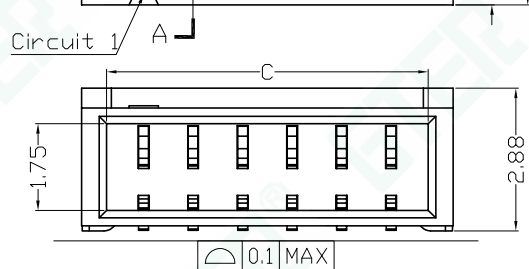
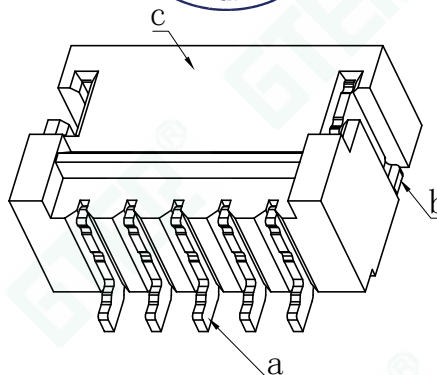
■ 产品编码简介: GJ-A1003WRS-**-FON-HK
① ② ③ ④ ⑤

1. 系列号;
2. 卧式贴板针座;
3. Pin位数;
4. LCP UL94V-0 (本色)
5. HK=带扣款

■ 适配 GJ-A1003 SOCKET HOUSING SERIES.



SECTION A-A



Poles	Dimensions (mm)			Q'ty/ reel
	A	B	C	
02	1.00	3.50	2.50	1,500
03	2.00	4.50	3.50	1,500
04	3.00	5.50	4.50	1,500
05	4.00	6.50	5.50	1,500
06	5.00	7.50	6.50	1,500
07	6.00	8.50	7.50	1,500
08	7.00	9.50	8.50	1,500
09	8.00	10.50	9.50	1,500
10	9.00	11.50	10.50	1,500
11	10.00	12.50	11.50	1,500
12	11.00	13.50	12.50	1,500
13	12.00	14.50	13.50	1,500
14	13.00	15.50	14.50	1,500
15	14.00	16.50	15.50	1,500
16	15.00	17.50	16.50	1,500

组成序号	名称	材质
a	0.2 pin针	磷铜镀高温亮锡
b	接地片	磷铜镀高温亮锡
C	WAFER 主体	LCP(本色) UL94V-0

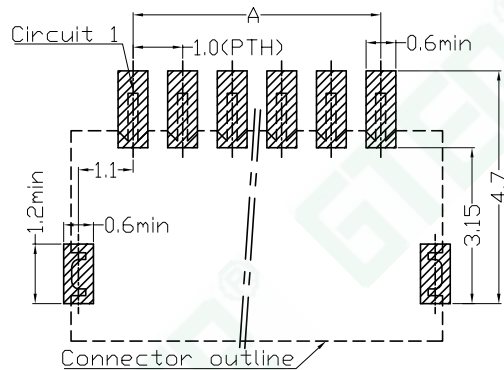
GTER 东莞市高嘉精密电子有限公司
DONGGUAN GJ PRECISION ELECTRONICS Co.Ltd.

PART NO: GJ-A1003WRS-**-FON-HK

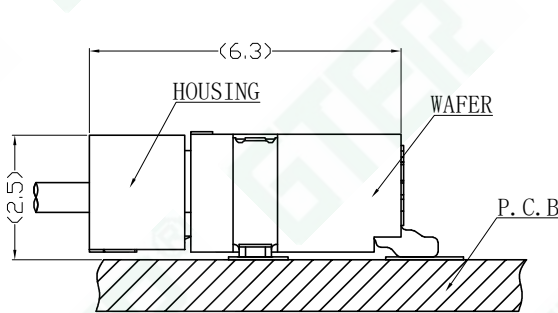
1.00mm WIRE TO BOARD CONNECTOR, WAFER (V-SMT TYPE)

APPROVED BY: APPROVED	PROJ:
CHECKED BY: CHECKED	UNIT: mm
DRAWN BY: yiliangdong	SCALE: --
DATE: 2022-10-14	SHEET: 1/1 A4
A1003卧式贴板带扣针座产品图	VER NO: AO

TOLERANCE	LTR	REVISION RECORD	NAME	DATE
-1 ±0.10	标记1	修改内容1	姓名1	日期1
1-5 ±0.15	标记2	修改内容2	姓名2	日期2
5-15 ±0.20	标记3	修改内容3	姓名3	日期3
15-30 ±0.25	标记4	修改内容4	姓名4	日期4
30- ±0.30	CUSTOMER: ---			
(ANGLE) .X ±10°	Conforms to The RoHS&REACH Instruction			



SMT SIDE ENTRY TYPE PCB LAYOUT



ASSEMBLY LAYOUT

■ Main Specifications

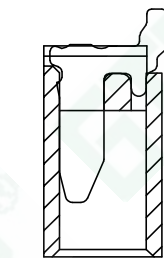
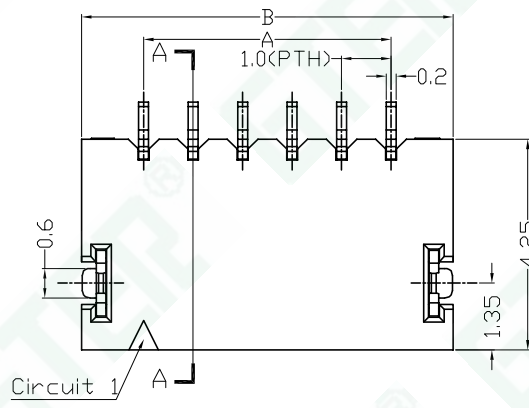
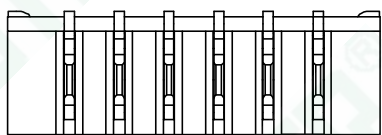
- 接触电阻 (Contact resistance): $\leq 20m\Omega$
- 绝缘电阻 (Insulation resistance): $\geq 100M\Omega$
- 额定电压 (Rated voltage): 50V AC DC
- 额定电流 (Rated current): 1.0A AC DC
- 耐电压 (Withstand Voltage): 500V AC/minute
- 温度范围 (Temperature Range): $-25^{\circ}C \sim +85^{\circ}C$

■ 产品编码简介: GJ-A1003WRS-**-FON

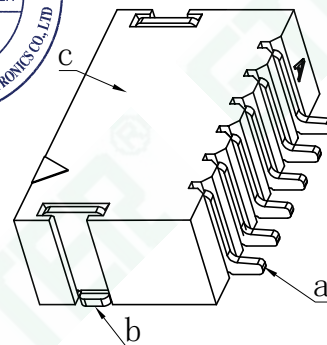
① ② ③ ④

1. 系列号;
2. 卧式贴板针座;
3. Pin位数;
4. LCP UL94V-0 (本色)

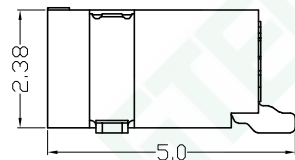
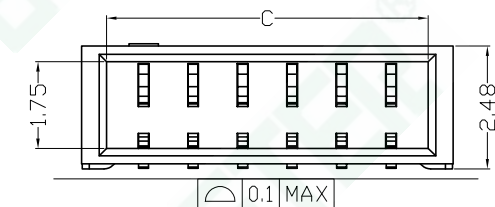
■ 适配 GJ-A1003 SOCKET HOUSING SERIES.



SECTION A-A



Poles	Dimensions (mm)			Q'ty/ reel
	A	B	C	
02	1.00	3.50	2.50	1,500
03	2.00	4.50	3.50	1,500
04	3.00	5.50	4.50	1,500
05	4.00	6.50	5.50	1,500
06	5.00	7.50	6.50	1,500
07	6.00	8.50	7.50	1,500
08	7.00	9.50	8.50	1,500
09	8.00	10.50	9.50	1,500
10	9.00	11.50	10.50	1,500
11	10.00	12.50	11.50	1,500
12	11.00	13.50	12.50	1,500
13	12.00	14.50	13.50	1,500
14	13.00	15.50	14.50	1,500
15	14.00	16.50	15.50	1,500
16	15.00	17.50	16.50	1,500



组成序号	名称	材质
a	0.2 pin针	磷铜镀高温亮锡
b	接地片	磷铜镀高温亮锡
C	WAFER 主体	LCP(本色) UL94V-0

GTER® 东莞市高嘉精密电子有限公司
DONGGUAN GJ PRECISION ELECTRONICS Co.Ltd.

PART NO: GJ-A1003WRS-**-FON

1.00mm WIRE TO BOARD CONNECTOR, WAFER (V-SMT TYPE)

APPROVED BY: APPROVED

CHECKED BY: CHECKED

DRAWN BY: yiliangdong

DATE: 2022-10-14

A1003卧式贴板针座产品图

PROJ:

UNIT: mm

SCALE: --

SHEET: 1/1 A4

VER NO: AO

TOLERANCE

-1 ±0.10

1-5 ±0.15

5-15 ±0.20

15-30 ±0.25

30- ±0.30

(ANGLE) .X ±10°

LTR

标记1

标记2

标记3

标记4

CUSTOMER: ---

REVISION RECORD

修改内容1

修改内容2

修改内容3

修改内容4

NAME

姓名1

姓名2

姓名3

姓名4

DATE

日期1

日期2

日期3

日期4

Conforms to The RoHS&REACH Instruction