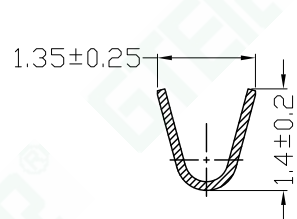
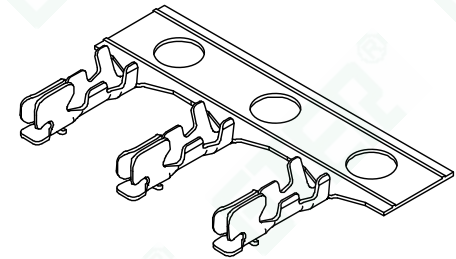
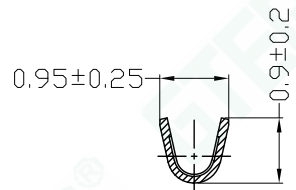


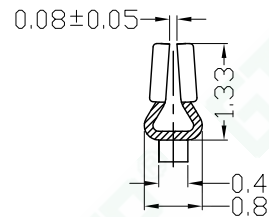
包装示意图(端子V型口向外顺时针绕盘)



SECTION A-A



SECTION B-B



SECTION C-C



■ Main Specifications

- 额定电流 (Current rating): 1.0A AC, DC
- 额定电压 (Voltage rating): 50V AC, DC
- 温度范围 (Temperature range): -25°C TO +105°C
- 接触电阻 (Contact resistance): ≤20MΩ
- 绝缘电阻 (Insulation resistance): ≥100MΩ
- 耐电压 (Withstand voltage): 500V AC/minute

规格表	Part No	Wire Range	Insulation O.D	Material	Finish	Qty/reel	Features(Used in)	Remark
	A1001TF-PTS	AWG#32~#28	0.80(MAX)	Phosphor Bronze	Tin-plated	20,000	GJ-A1001 SOCKET HOUSIN SERIES	

<b>GTER</b> ® 东莞市高嘉精密电子有限公司 DONGGUAN GJ PRECISION ELECTRONICS Co.Ltd. PART NO:GJ-A1001TF-PTS 1.00mm WIRE TO BOARD CONNECTOR, SOCKET TERMINAL	APPROVED BY: APPROVED	PROJ:	TOLERANCE	LTR	REVISION RECORD		NAME	DATE
	CHECKED BY: CHECKED	UNIT: mm	-1 ±0.10	标记1	修改内容1	姓名1	日期1	
	DRAWN BY:yiliangdong	SCALE: --	1-5 ±0.15	标记2	修改内容2	姓名2	日期2	
	DATE:2022-03-18	SHEET: 1/1   A4	5-15 ±0.20	标记3	修改内容3	姓名3	日期3	
	VER NO: A0		15-30 ±0.25	标记4	修改内容4	姓名4	日期4	
			30- ±0.30	CUSTOMER:---		Conforms to The RoHS&REACH Instruction		
			(ANGLE) X ±10°					

■ Main Specifications

- 接触电阻 (Contact resistance):  $\leq 20m\Omega$
- 绝缘电阻 (Insulation resistance):  $\geq 100M\Omega$
- 额定电压 (Rated voltage): 50V AC DC
- 额定电流 (Rated current): 1.0A AC DC
- 耐电压 (Withstand Voltage): 500V AC/minute
- 温度范围 (Temperature Range):  $-25^{\circ}C \sim +85^{\circ}C$

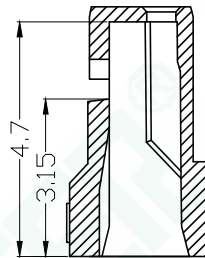
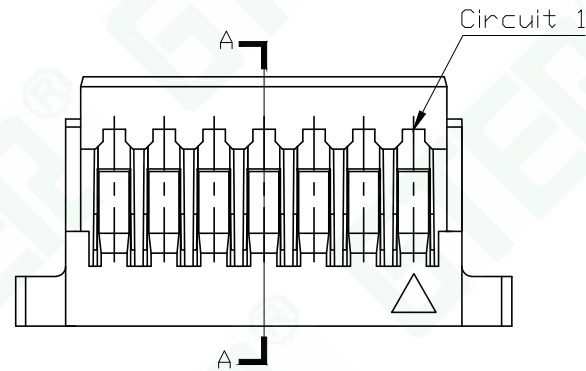
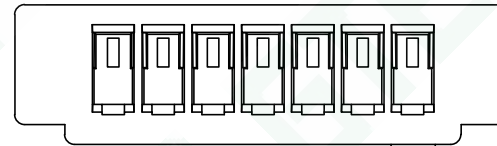
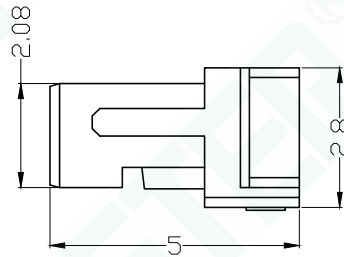
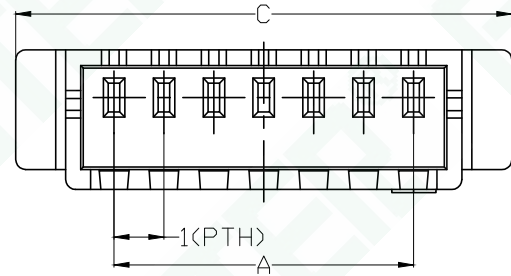
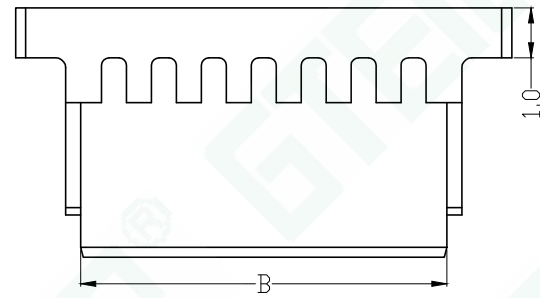
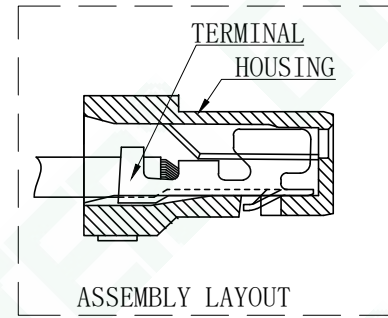
■ 产品编码简: GJ-A1001HF-\*\*-AON  
 ① ② ③ ④

1. 系列号;
2. 母胶壳;
3. Pin位数;
4. Nylon66 UL94V-0 (本色)

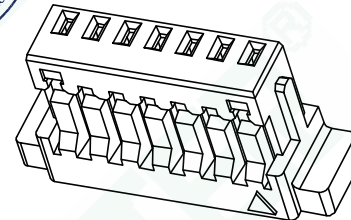
■ 包装 PE袋包装, 每袋1,000PCS.

■ 适配 GJ-A1001 WAFER SERIES.

■ 适配 GJ-A1001 SOCKET TERMINAL.



SECTION A-A



Poles	Dimensions (mm)			Q'ty/ bag
	A	B	C	
02	1.00	2.34	4.94	1,000
03	2.00	3.34	5.94	1,000
04	3.00	4.34	6.94	1,000
05	4.00	5.34	7.94	1,000
06	5.00	6.34	8.94	1,000
07	6.00	7.34	9.94	1,000
08	7.00	8.34	10.94	1,000
09	8.00	9.34	11.94	1,000
10	9.00	10.34	12.94	1,000
11	10.00	11.34	13.94	1,000
12	11.00	12.34	14.94	1,000
13	12.00	13.34	15.94	1,000
14	13.00	14.34	16.94	1,000
15	14.00	15.34	17.94	1,000
16	15.00	16.34	18.94	1,000

**GTER**® 东莞市高嘉精密电子有限公司  
 DONGGUAN GJ PRECISION ELECTRONICS Co.Ltd.

PART NO: GJ-A1001HF-\*\*-AON

1.00mm WIRE TO BOARD CONNECTOR, SOCKET HOUSING

APPROVED BY: APPROVED

CHECKED BY: CHECKED

DRAWN BY: yiliangdong

DATE: 2021-11-25

A1001胶壳产品图

PROJ:

UNIT: mm

SCALE: --

SHEET: 1/1 A4

VER NO: AO

TOLERANCE

-1 ±0.10

1-5 ±0.15

5-15 ±0.20

15-30 ±0.25

30- ±0.30

(ANGLE) .X ±10°

LTR

标记1 修改内容1

标记2 修改内容2

标记3 修改内容3

标记4 修改内容4

CUSTOMER: ---

REVISION RECORD

NAME DATE

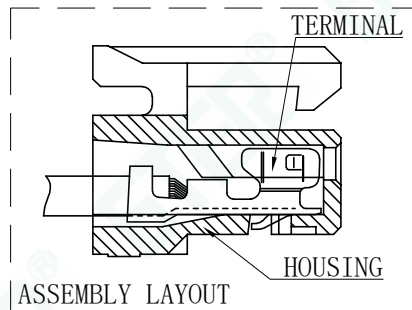
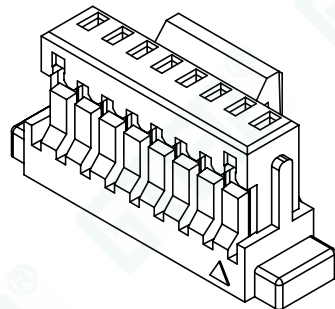
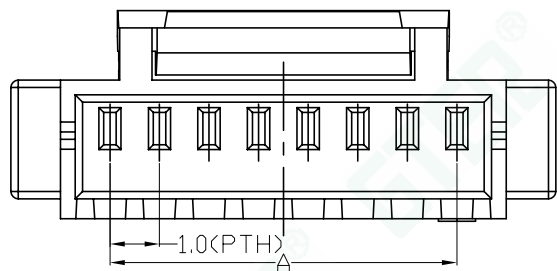
姓名1 日期1

姓名2 日期2

姓名3 日期3

姓名4 日期4

Conforms to The RoHS&REACH Instruction



■ Main Specifications

- . 接触电阻 (Contact resistance):  $\leq 20m\Omega$
- . 绝缘电阻 (Insulation resistance):  $\geq 100M\Omega$
- . 额定电压 (Rated voltage): 50V AC DC
- . 额定电流 (Rated current): 1.0A AC DC
- . 耐电压 (Withstand Voltage): 500V AC/minute
- . 温度范围 (Temperature Range):  $-25^{\circ}C \sim +85^{\circ}C$

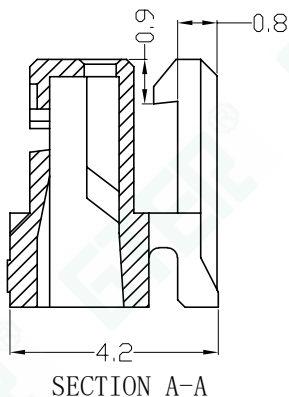
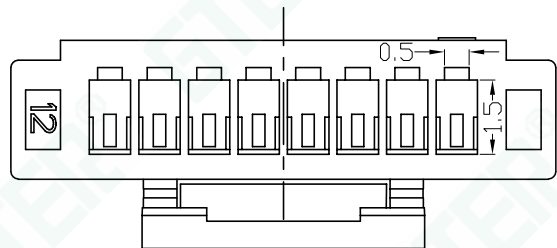
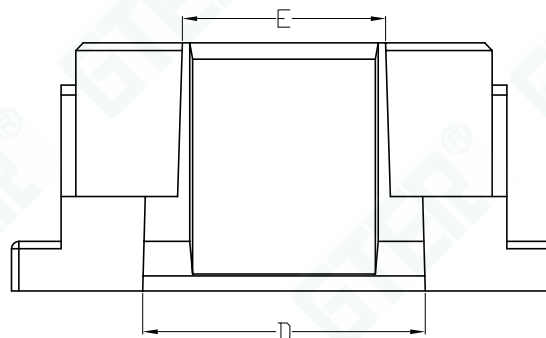
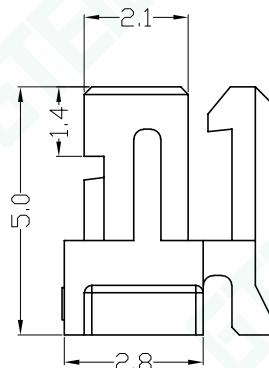
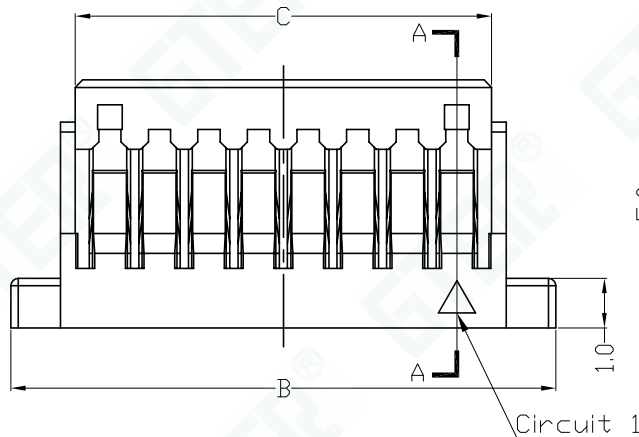
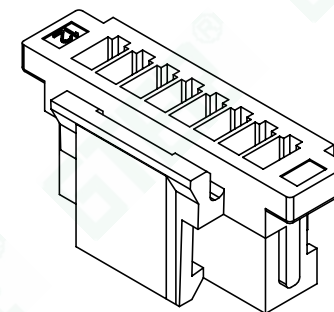
■ 产品编码简: GJ-A1001HF-\*\*-AON-HK

① ② ③ ④ ⑤

1. 系列号;
2. 母胶壳;
3. Pin位数;
4. Nylon66 UL94V-0 (本色)
5. HK-带扣

■ 适配 GJ-A1001 WAFER SERIES.

■ 适配 GJ-A1001 SOCKET TERMINAL.



Poles	Dimensions (mm)					Q'ty/ bag
	A	B	C	D	E	
03	2.00	6.00	3.40	3.70	2.10	2,000
04	3.00	7.00	4.40	4.70	3.10	2,000
05	4.00	8.00	5.40	5.70	4.10	2,000
06	5.00	9.00	6.40	5.70	4.10	2,000
07	6.00	10.00	7.40	5.70	4.10	2,000
08	7.00	11.00	8.40	6.70	5.10	2,000
09	8.00	12.00	9.40	6.70	5.10	2,000
10	9.00	13.00	10.40	6.70	5.10	2,000
11	10.0	14.00	11.40	6.70	5.10	2,000
12	11.0	15.00	12.40	6.70	5.10	2,000

**GTER**® 东莞市高嘉精密电子有限公司  
DONGGUAN GJ PRECISION ELECTRONICS Co.Ltd.

PART NO: GJ-A1001HF-\*\*-AON-HK

1.00mm WIRE TO BOARD CONNECTOR, SOCKET HOUSING

APPROVED BY: APPROVED

CHECKED BY: CHECKED

DRAWN BY: yiliangdong

DATE: 2023-10-21

A1001 (HK) 胶壳产品图

PROJ:

UNIT: mm

SCALE: --

SHEET: 1/1 A4

VER NO: AO

TOLERANCE

-1 ±0.10

1-5 ±0.15

5-15 ±0.20

15-30 ±0.25

30- ±0.30

(ANGLE) .X ±10°

LTR

标记1 修改内容1

标记2 修改内容2

标记3 修改内容3

标记4 修改内容4

CUSTOMER: ---

REVISION RECORD

NAME DATE

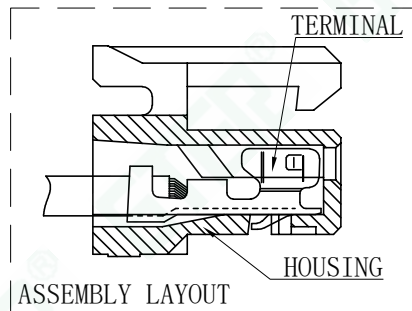
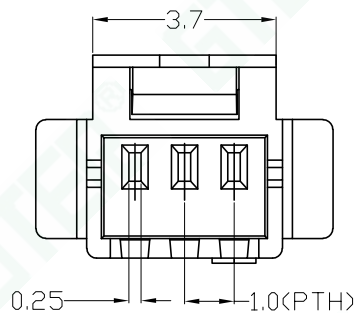
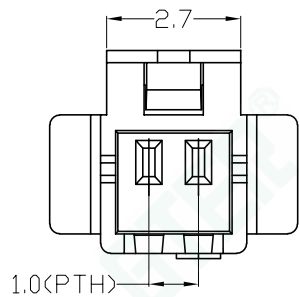
姓名1 日期1

姓名2 日期2

姓名3 日期3

姓名4 日期4

Conforms to The RoHS&REACH Instruction



■ Main Specifications

- . 接触电阻 (Contact resistance):  $\leq 20m\Omega$
- . 绝缘电阻 (Insulation resistance):  $\geq 100M\Omega$
- . 额定电压 (Rated voltage): 50V AC DC
- . 额定电流 (Rated current): 1.0A AC DC
- . 耐电压 (Withstand Voltage): 500V AC/minute
- . 温度范围 (Temperature Range):  $-25^{\circ}C \sim +85^{\circ}C$

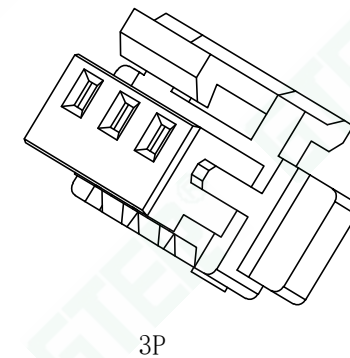
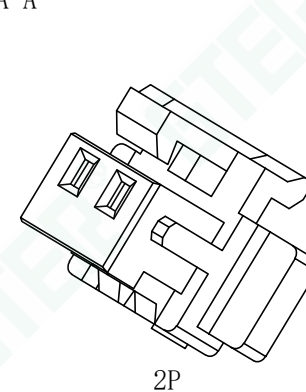
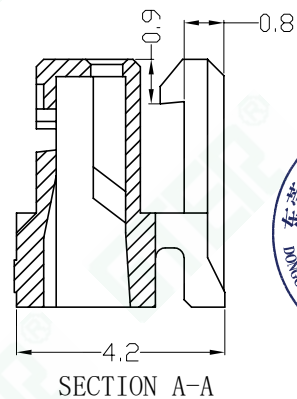
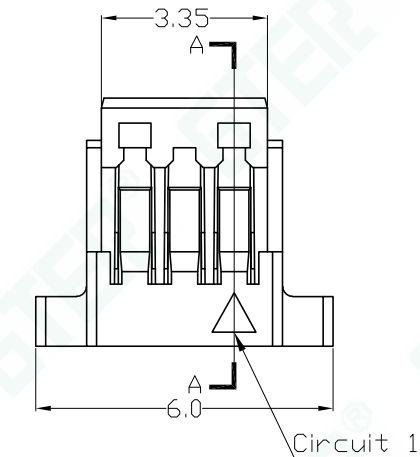
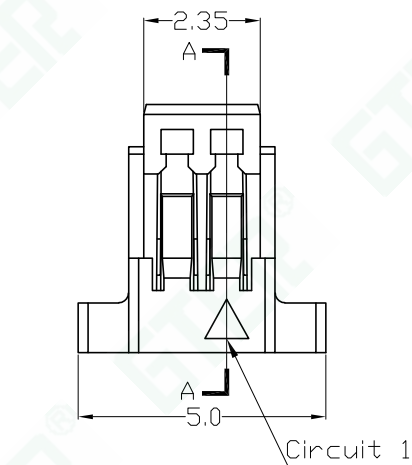
■ 产品编码简: GJ-A1001HF-\*\*-AON-HK

① ② ③ ④ ⑤

1. 系列号;
2. 母胶壳;
3. Pin位数;
4. Nylon66 UL94V-0 (本色)
5. HK-带扣

■ 适配 GJ-A1001 WAFER SERIES.

■ 适配 GJ-A1001 SOCKET TERMINAL.



**GTER**® 东莞市高嘉精密电子有限公司  
DONGGUAN GJ PRECISION ELECTRONICS Co.Ltd.

PART NO: GJ-A1001HF-\*\*-AON-HK

1.00mm WIRE TO BOARD CONNECTOR, SOCKET HOUSING

APPROVED BY: APPROVED

CHECKED BY: CHECKED

DRAWN BY: yiliangdong

DATE: 2023-10-21

A1001 (HK) 胶壳产品图

PROJ:

UNIT: mm

SCALE: --

SHEET: 1/1 A4

VER NO: A0

TOLERANCE

-1 ±0.10

1-5 ±0.15

5-15 ±0.20

15-30 ±0.25

30- ±0.30

(ANGLE) .X ±10°

LTR

标记1

标记2

标记3

标记4

CUSTOMER: ---

REVISION RECORD

2, 3P专用图

修改内容2

修改内容3

修改内容4

NAME

姓名1

姓名2

姓名3

姓名4

DATE

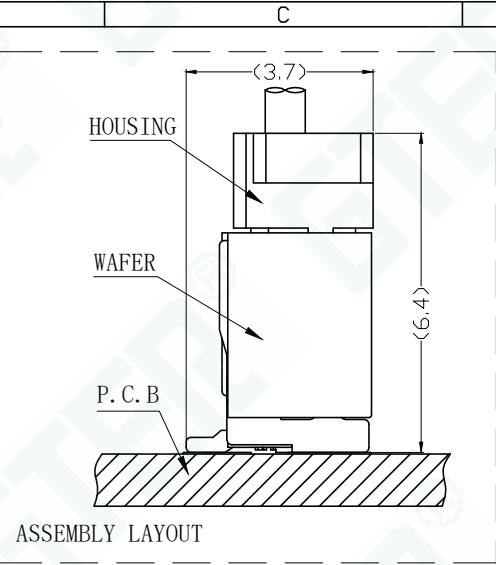
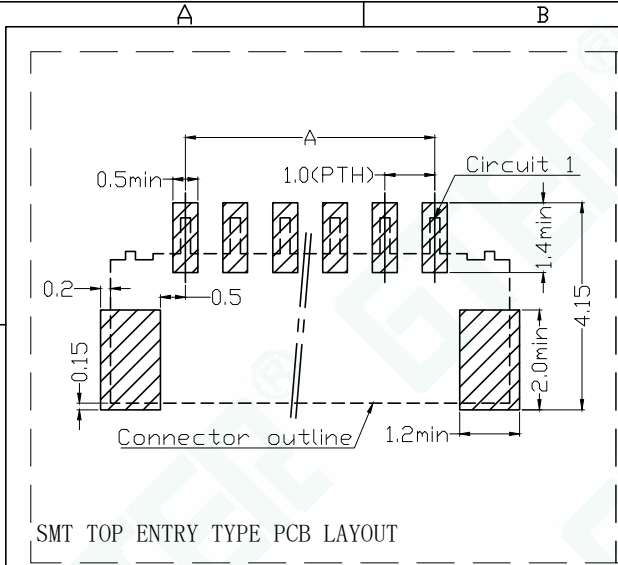
日期1

日期2

日期3

日期4

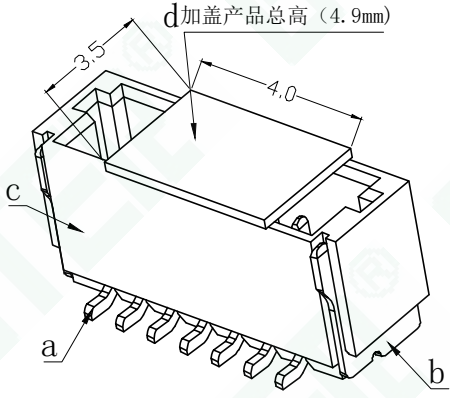
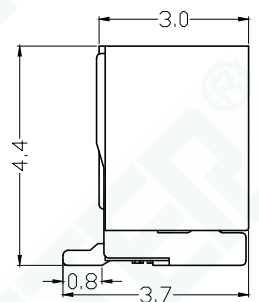
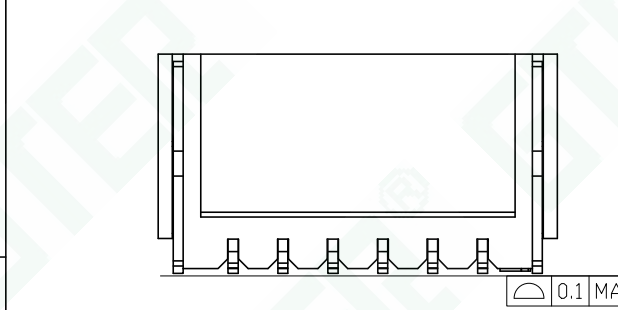
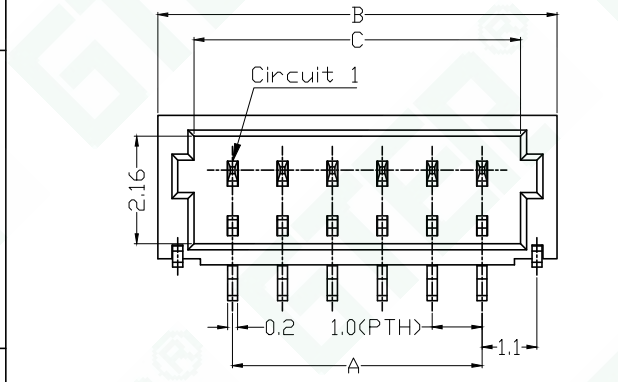
Conforms to The RoHS&REACH Instruction



- Main Specifications
- . 接触电阻 (Contact resistance):  $\leq 20m\Omega$
  - . 绝缘电阻 (Insulation resistance):  $\geq 100M\Omega$
  - . 额定电压 (Rated voltage): 50V AC DC
  - . 额定电流 (Rated current): 1.0A AC DC
  - . 耐电压 (Withstand Voltage): 500V AC/minute
  - . 温度范围 (Temperature Range):  $-25^{\circ}C \sim +85^{\circ}C$

■ 产品编码简介: GJ-A1001WVS-\*\*-FON

1. 系列号; ① ② ③ ④
2. 立式贴板针座;
3. Pin位数;
4. LCP UL94V-0 (本色)
- 适配 GJ-A1001 SOCKET HOUSING SERIES.



Poles	Dimensions (mm)			Q'ty/ reel
	A	B	C	
02	1.00	4.00	2.45	1,500
03	2.00	5.00	3.45	1,500
04	3.00	6.00	4.45	1,500
05	4.00	7.00	5.45	1,500
06	5.00	8.00	6.45	1,500
07	6.00	9.00	7.45	1,500
08	7.00	10.00	8.45	1,500
09	8.00	11.00	9.45	1,500
10	9.00	12.00	10.45	1,500
11	10.00	13.00	11.45	1,500
12	11.00	14.00	12.45	1,500
13	12.00	15.00	13.45	1,500
14	13.00	16.00	14.45	1,500
15	14.00	17.00	15.45	1,500
16	15.00	18.00	16.45	1,500
17	16.00	19.00	17.45	1,500
18	17.00	20.00	18.45	1,500
19	18.00	21.00	19.45	1,500
20	19.00	22.00	20.45	1,500

组成序号	名称	材质
a	0.2 pin针	磷铜镀高温亮锡
b	接地片	磷铜镀高温亮锡
c	WAFER 主体	LCP(本色) UL94V-0
d	吸盖	LCP(本色) UL94V-0

**GTER**® 东莞市高嘉精密电子有限公司  
DONGGUAN GJ PRECISION ELECTRONICS Co.Ltd.

PART NO: GJ-A1001WVS-\*\*-FON

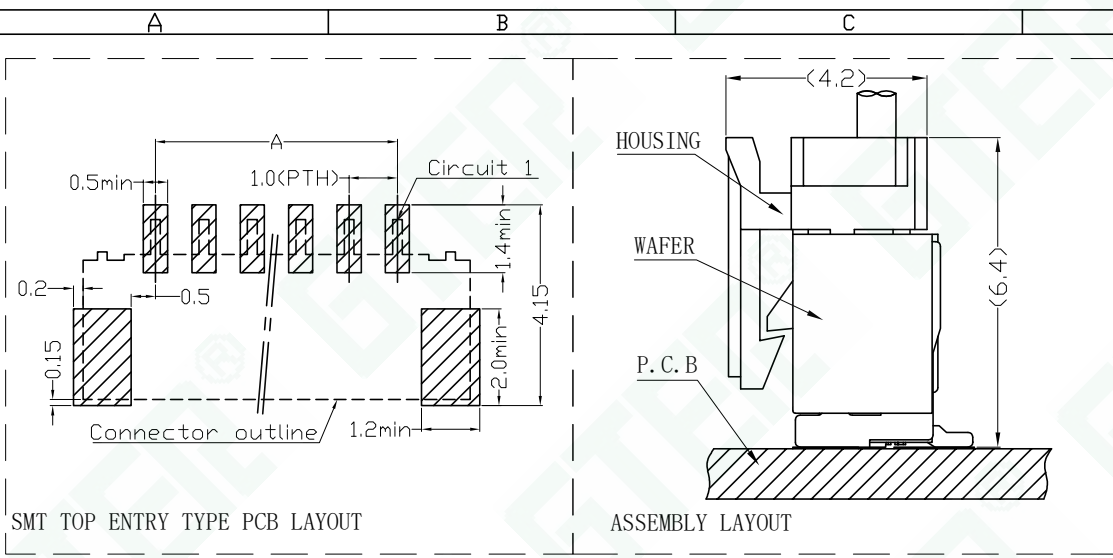
1.00mm WIRE TO BOARD CONNECTOR, WAFER (V-SMT TYPE)

APPROVED BY: APPROVED  
CHECKED BY: CHECKED  
DRAWN BY: yiliangdong  
DATE: 2021-11-25

PROJ: UNIT: mm  
SCALE: --  
SHEET: 1/1 A4  
VER NO: AO

A1001立式贴板针座产品图

TOLERANCE	LTR	REVSION RECORD	NAME	DATE
-1 ±0.10	标记1	修改内容1	姓名1	日期1
1-5 ±0.15	标记2	修改内容2	姓名2	日期2
5-15 ±0.20	标记3	修改内容3	姓名3	日期3
15-30 ±0.25	标记4	修改内容4	姓名4	日期4
30- ±0.30	CUSTOMER: ---			
(ANGLE) .X ±10°	Conforms to The RoHS&REACH Instruction			

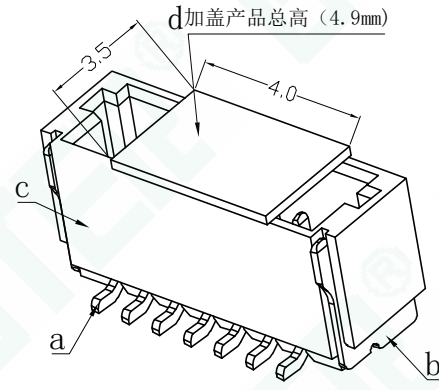
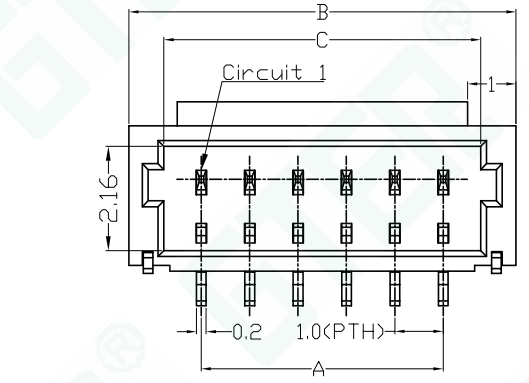


- Main Specifications
- 接触电阻 (Contact resistance):  $\leq 20m\Omega$
  - 绝缘电阻 (Insulation resistance):  $\geq 100M\Omega$
  - 额定电压 (Rated voltage): 50V AC DC
  - 额定电流 (Rated current): 1.0A AC DC
  - 耐电压 (Withstand Voltage): 500V AC/minute
  - 温度范围 (Temperature Range):  $-25^{\circ}C \sim +85^{\circ}C$

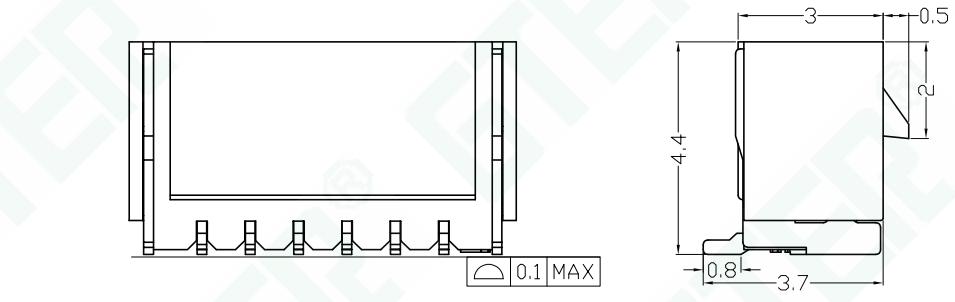
■ 产品编码简介: GJ-A1001WVS-\*\*-FON-HK  
① ② ③ ④ ⑤

1. 系列号;
2. 立式贴板针座;
3. Pin位数;
4. LCP UL94V-0 (本色)
5. HK-带卡扣款, 选用时料号需备注。

■ 适配 GJ-A1001 SOCKET HOUSING SERIES.



Poles	Dimensions (mm)			Q'ty/ reel
	A	B	C	
02	1.00	4.00	2.45	1,500
03	2.00	5.00	3.45	1,500
04	3.00	6.00	4.45	1,500
05	4.00	7.00	5.45	1,500
06	5.00	8.00	6.45	1,500
07	6.00	9.00	7.45	1,500
08	7.00	10.00	8.45	1,500
09	8.00	11.00	9.45	1,500
10	9.00	12.00	10.45	1,500
11	10.00	13.00	11.45	1,500
12	11.00	14.00	12.45	1,500
13	12.00	15.00	13.45	1,500
14	13.00	16.00	14.45	1,500
15	14.00	17.00	15.45	1,500
16	15.00	18.00	16.45	1,500
17	16.00	19.00	17.45	1,500
18	17.00	20.00	18.45	1,500
19	18.00	21.00	19.45	1,500
20	19.00	22.00	20.45	1,500

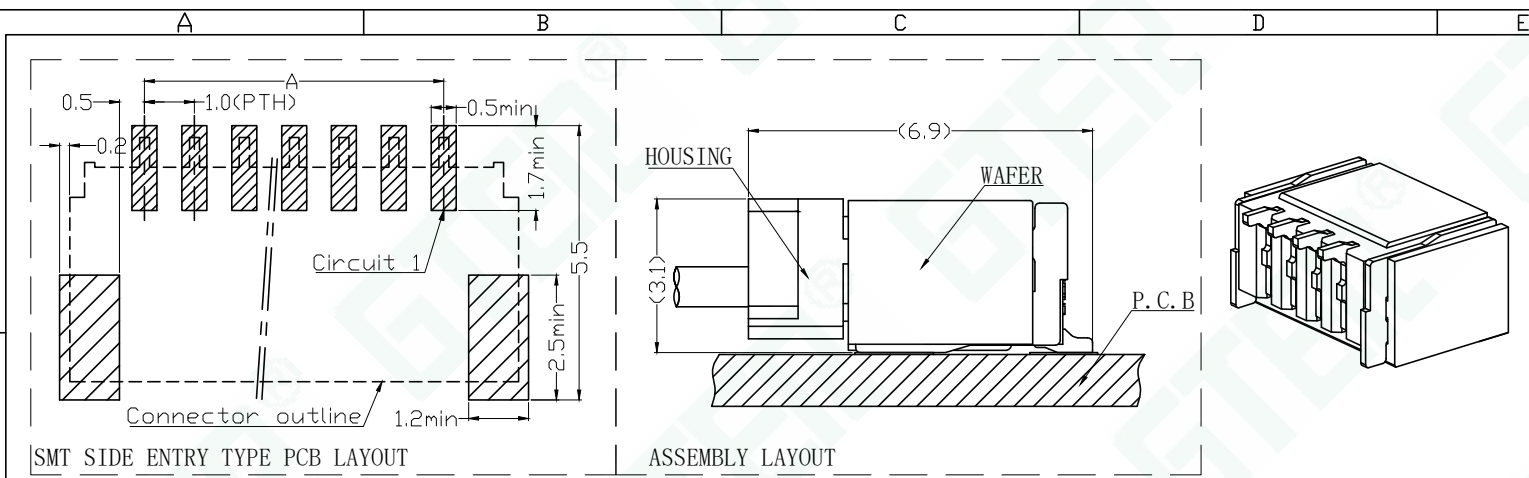


组成序号	名称	材质
a	0.2 pin针	磷铜镀高温亮锡
b	接地片	磷铜镀高温亮锡
c	WAFER 主体	LCP(本色) UL94V-0
d	吸盖	LCP(本色) UL94V-0

**GTER**® 东莞市高嘉精密电子有限公司  
DONGGUAN GJ PRECISION ELECTRONICS Co.,Ltd.  
PART NO: GJ-A1001WVS-\*\*-FON-HK  
1.00mm WIRE TO BOARD CONNECTOR, WAFER (V-SMT TYPE)

APPROVED BY: APPROVED  
CHECKED BY: CHECKED  
DRAWN BY: yiliangdong  
DATE: 2022-03-26  
A1001立式贴板针座产品图  
VER NO: AO

TOLERANCE	LTR	REVSION RECORD	NAME	DATE
-1 ±0.10	标记1	修改内容1	姓名1	日期1
1-5 ±0.15	标记2	修改内容2	姓名2	日期2
5-15 ±0.20	标记3	修改内容3	姓名3	日期3
15-30 ±0.25	标记4	修改内容4	姓名4	日期4
30- ±0.30	CUSTOMER: ---			
(ANGLE) X ±10°	Conforms to The RoHS&REACH Instruction			

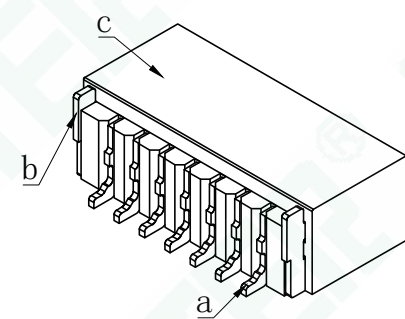
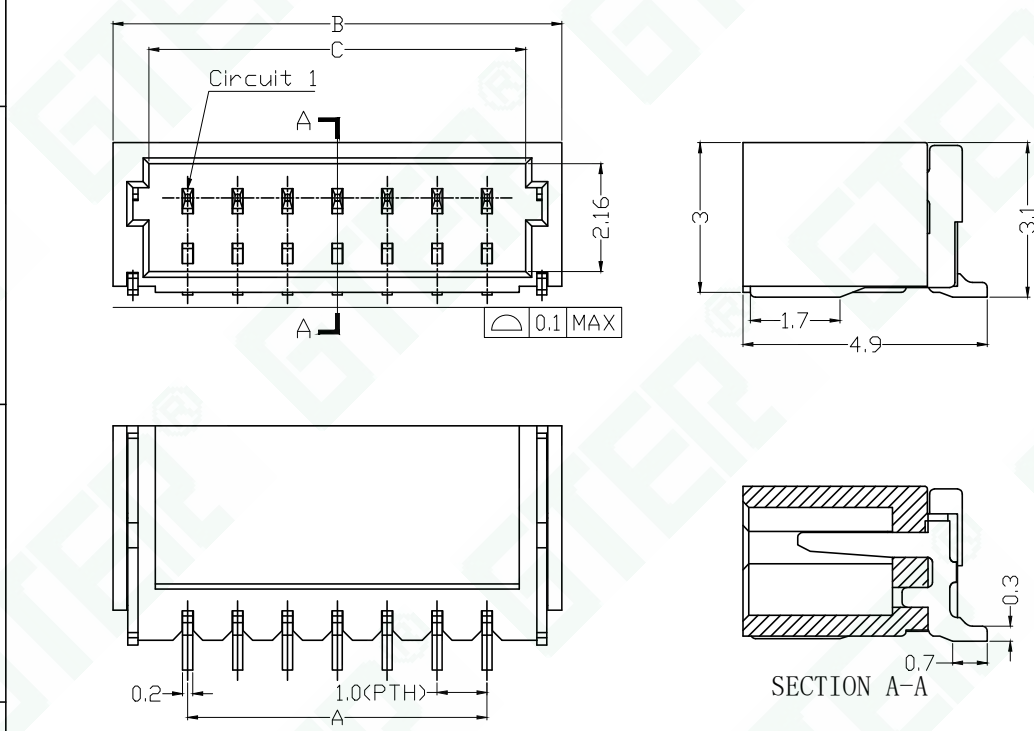


- Main Specifications
- . 接触电阻 (Contact resistance):  $\leq 20m\Omega$
  - . 绝缘电阻 (Insulation resistance):  $\geq 100M\Omega$
  - . 额定电压 (Rated voltage): 50V AC DC
  - . 额定电流 (Rated current): 1.0A AC DC
  - . 耐电压 (Withstand Voltage): 500V AC/minute
  - . 温度范围 (Temperature Range):  $-25^{\circ}C \sim +85^{\circ}C$

■ 产品编码简介: GJ-A1001WRS-\*\*-FON  
① ② ③ ④

1. 系列号;
2. 卧式贴板针座;
3. Pin位数;
4. LCP UL94V-0 (本色)

■ 适配 GJ-A1001 SOCKET HOUSING SERIES.



Poles	Dimensions (mm)			Q'ty/ reel
	A	B	C	
02	1.00	4.00	2.45	1,500
03	2.00	5.00	3.45	1,500
04	3.00	6.00	4.45	1,500
05	4.00	7.00	5.45	1,500
06	5.00	8.00	6.45	1,500
07	6.00	9.00	7.45	1,500
08	7.00	10.00	8.45	1,500
09	8.00	11.00	9.45	1,500
10	9.00	12.00	10.45	1,500
11	10.00	13.00	11.45	1,500
12	11.00	14.00	12.45	1,500
13	12.00	15.00	13.45	1,500
14	13.00	16.00	14.45	1,500
15	14.00	17.00	15.45	1,500
16	15.00	18.00	16.45	1,500
17	16.00	19.00	17.45	1,500
18	17.00	20.00	18.45	1,500
19	18.00	21.00	19.45	1,500
20	19.00	22.00	20.45	1,500

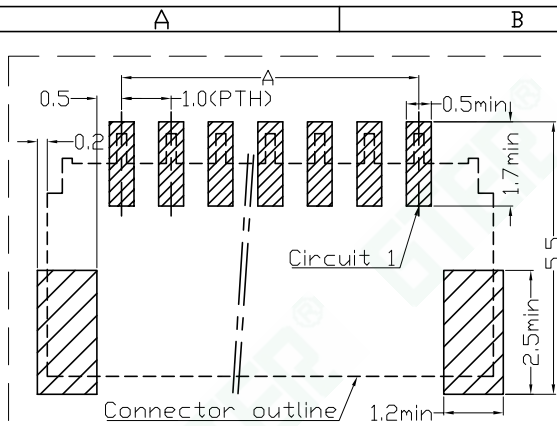
组成序号	名称	材质
a	0.2 pin针	磷铜镀高温亮锡
b	接地片	磷铜镀高温亮锡
c	WAFER 主体	LCP(本色) UL94V-0

**GTER**® 东莞市高嘉精密电子有限公司  
DONGGUAN GJ PRECISION ELECTRONICS Co.Ltd.  
PART NO: GJ-A1001WRS-\*\*-FON  
1.00mm WIRE TO BOARD CONNECTOR, WAFER (V-SMT TYPE)

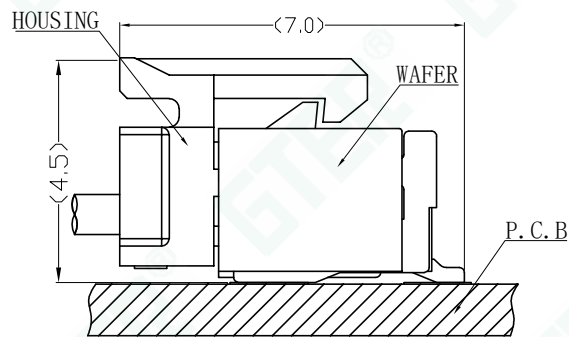
APPROVED BY: APPROVED  
CHECKED BY: CHECKED  
DRAWN BY: yiliangdong  
DATE: 2021-11-25  
A1001卧式贴板针座产品图  
VER NO: AO

PROJ:   
UNIT: mm  
SCALE: --  
SHEET: 1/1 A4  
TOLERANCE  
-1 ±0.10  
1-5 ±0.15  
5-15 ±0.20  
15-30 ±0.25  
30- ±0.30  
(ANGLE) .X ±10°

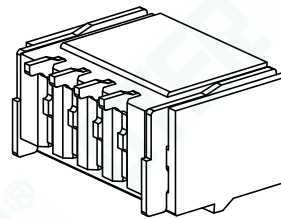
REVSION RECORD  
LTR  
NAME  
DATE  
CUSTOMER: ---  
Conforms to The RoHS&REACH Instruction



SMT SIDE ENTRY TYPE PCB LAYOUT



ASSEMBLY LAYOUT



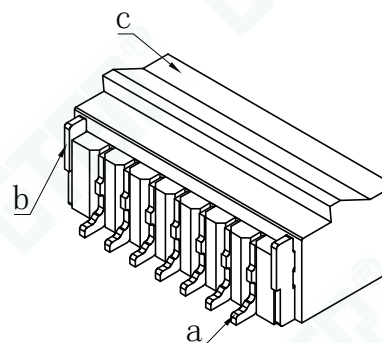
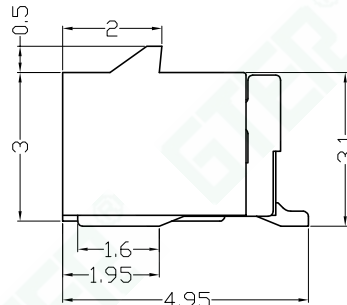
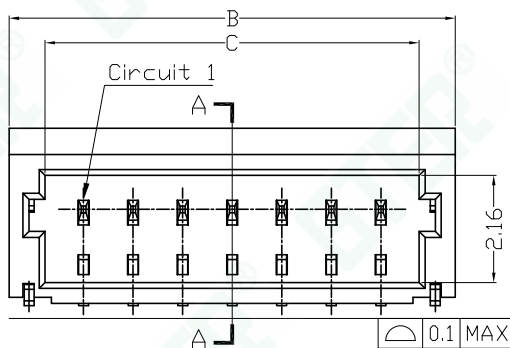
■ Main Specifications

- 接触电阻 (Contact resistance):  $\leq 20m\Omega$
- 绝缘电阻 (Insulation resistance):  $\geq 100M\Omega$
- 额定电压 (Rated voltage): 50V AC DC
- 额定电流 (Rated current): 1.0A AC DC
- 耐电压 (Withstand Voltage): 500V AC/minute
- 温度范围 (Temperature Range):  $-25^{\circ}C \sim +85^{\circ}C$

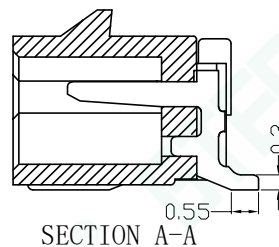
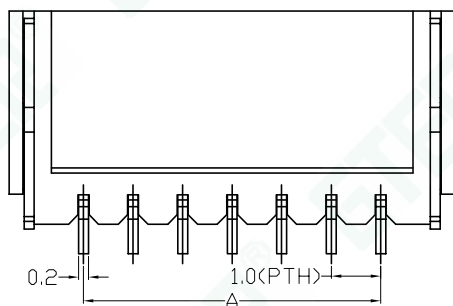
■ 产品编码简介: GJ-A1001WRS-\*\*-FON-HK  
① ② ③ ④ ⑤

1. 系列号;
2. 卧式贴板针座;
3. Pin位数;
4. LCP UL94V-0 (本色)
5. HK-带卡扣款, 选用时料号需备注。

■ 适配 GJ-A1001 SOCKET HOUSING SERIES.



Poles	Dimensions (mm)			Q'ty/ reel
	A	B	C	
02	1.00	4.00	2.45	1,500
03	2.00	5.00	3.45	1,500
04	3.00	6.00	4.45	1,500
05	4.00	7.00	5.45	1,500
06	5.00	8.00	6.45	1,500
07	6.00	9.00	7.45	1,500
08	7.00	10.00	8.45	1,500
09	8.00	11.00	9.45	1,500
10	9.00	12.00	10.45	1,500
11	10.00	13.00	11.45	1,500
12	11.00	14.00	12.45	1,500
13	12.00	15.00	13.45	1,500
14	13.00	16.00	14.45	1,500
15	14.00	17.00	15.45	1,500
16	15.00	18.00	16.45	1,500
17	16.00	19.00	17.45	1,500
18	17.00	20.00	18.45	1,500
19	18.00	21.00	19.45	1,500
20	19.00	22.00	20.45	1,500



组成序号	名称	材质
a	0.2 pin针	黄铜镀高温亮锡
b	接地片	黄铜镀高温亮锡
C	WAFER 主体	LCP(本色) UL94V-0

**GTER**® 东莞市高嘉精密电子有限公司  
DONGGUAN GJ PRECISION ELECTRONICS Co.Ltd.

PART NO: GJ-A1001WRS-\*\*-FON-HK

1.00mm WIRE TO BOARD CONNECTOR, WAFER (V-SMT TYPE)

APPROVED BY: APPROVED

CHECKED BY: CHECKED

DRAWN BY: yiliangdong

DATE: 2022-06-14

A1001卧式贴板针座产品图

PROJ:

UNIT: mm

SCALE: --

SHEET: 1/1 A4

VER NO: AO

TOLERANCE

-1 ±0.10

1-5 ±0.15

5-15 ±0.20

15-30 ±0.25

30- ±0.30

(ANGLE) .X ±10°

LTR

标记1

标记2

标记3

标记4

CUSTOMER: ---

REVISION RECORD

修改内容1

修改内容2

修改内容3

修改内容4

NAME

姓名1

姓名2

姓名3

姓名4

DATE

日期1

日期2

日期3

日期4

Conforms to The RoHS&REACH Instruction